



AV Series Dynamic Mounting Arm

Tilt and swivel · Single arm · Double arm

- **Intuitive grab and move operation enhances the user experience**

No knobs or tools required to reposition the monitor

Precise control of operating effort ensures ideal “feel” and eliminates “drift”

Holds securely, even in applications with dynamic loading

- **Consistent repeatable operation**

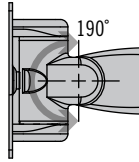
- **Fully enclosed for optimum cleanability**

- **Snap-on wire management cover**

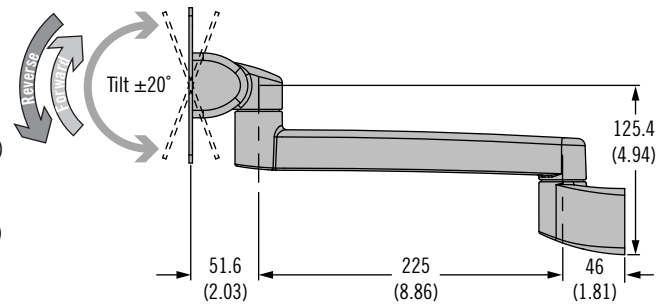
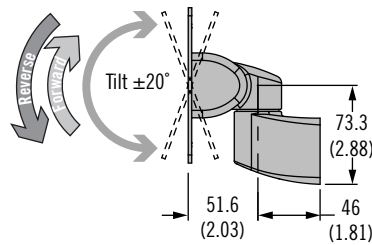
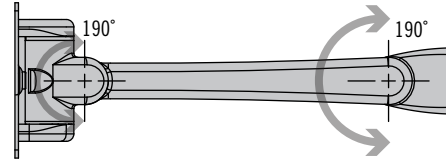
- **Factory assembled and ready for use**

For mounting options and installation detail please refer to pages 84-85

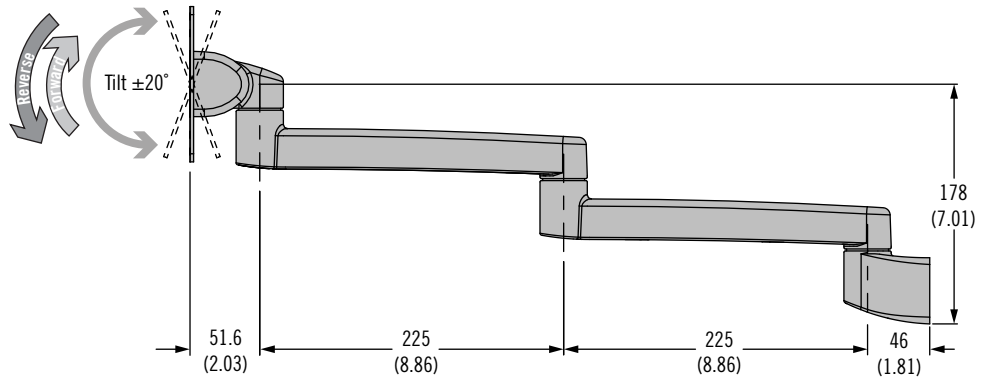
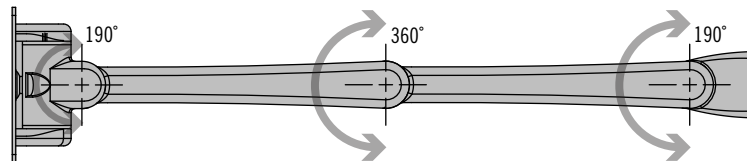
Tilt and Swivel



Single Arm



Double Arm



AV Series Dynamic Mounting Arm

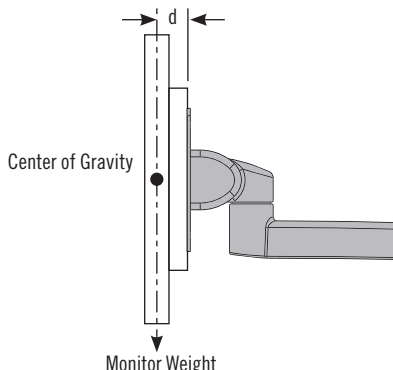
Tilt and swivel · Single arm · Double arm



Specification and Selection

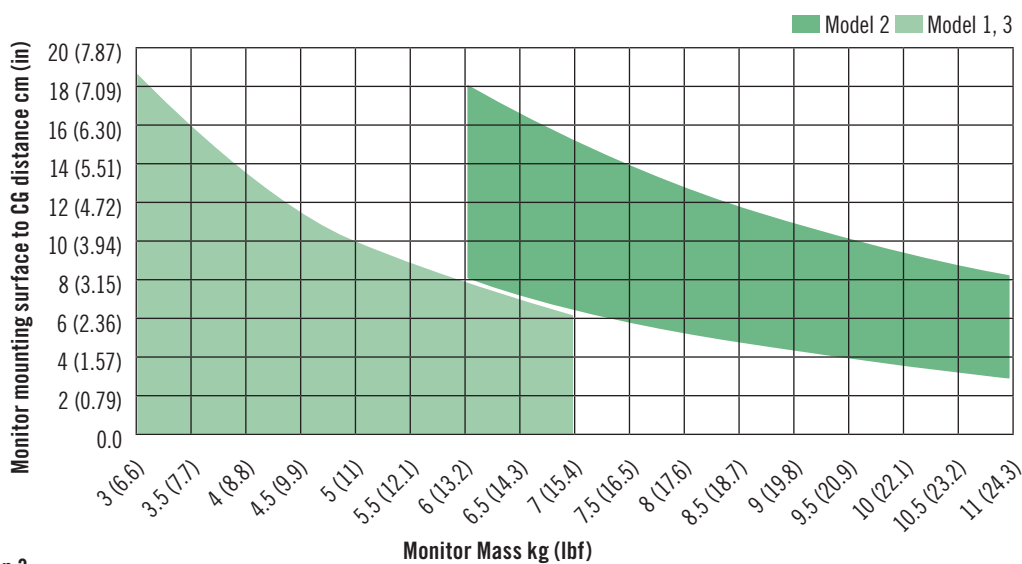
Step 1

Determine monitor weight and distance (d) from mounting surface to center of gravity.



Step 2

Use chart below to select model (1, 2 or 3).



Step 3

Complete part number by selecting length and color options below.

| L | Length & Function |
|-----|-------------------|
| 10K | Tilt / swivel |
| 23A | 225mm Single arm |
| 46D | 450mm Double arm |

| K | Mounting style |
|---|-----------------------------------|
| 0 | Wall mount, Rear, no wire notch |
| 1 | Wall mount, Rear, with wire notch |
| 2 | Table mount, no wire notch |
| 3 | Table mount, with wire notch |
| 4 | Wall mount, Front |
| 6 | Pole mount (35-38mm Pole) |
| 7 | Rail mount |

| S | Monitor Size |
|---|------------------------------------|
| 1 | Small monitor, easiest positioning |
| 3 | Small monitor, extra holding force |
| 2 | Medium monitor |

| F | Finish |
|----|--------|
| 50 | Black |
| 76 | White |

AV - D32 - L 1 K S - F

| Style | Model S | Tilt Torque N·m (in·lbf) | | Swivel Torque N·m (in·lbf) | | |
|-----------------|---------|--------------------------|-----------|----------------------------|---------------|--------------|
| | | Reverse | Forward | At Monitor Mount | At Wall Mount | Center Joint |
| Tilt and swivel | 1 | 7.9 (70) | 1.13 (10) | 4.3 (38) | N/A | N/A |
| | 2 | 15.4 (136) | 2.26 (20) | 4.3 (38) | N/A | N/A |
| | 3 | 8.6 (76) | 6.0 (53) | 4.3 (38) | N/A | N/A |
| Single arm | 1 | 7.9 (70) | 1.13 (10) | 4.3 (38) | 9.8 (87) | N/A |
| | 2 | 15.4 (136) | 2.26 (20) | 4.3 (38) | 9.8 (87) | N/A |
| | 3 | 8.6 (76) | 6.0 (53) | 4.3 (38) | 9.8 (87) | N/A |
| Double arm | 1 | 7.9 (70) | 1.13 (10) | 4.3 (38) | 9.8 (87) | 9.8 (87) |
| | 2 | 15.4 (136) | 2.26 (20) | 4.3 (38) | 9.8 (87) | 9.8 (87) |
| | 3 | 8.6 (76) | 6.0 (53) | 4.3 (38) | 9.8 (87) | 9.8 (87) |

Material and Finish

Aluminum alloy, powder coated

Performance Details

Cycle performance: 20,000 cycles. See trade drawing for details.

Note: Double Arm not recommended for monitors over 5.4 kg (12 lb)

Max. dynamic working load:

Model 1, 3: 70N (15.7lbf)

Model 2: 100N (22.5lbf)

Average ultimate load:

Tilt/Swivel: 1845N (415lbf)

Single Arm: 1600N (360lbf)

Double Arm: 755N (170lbf)

For mounting options and installation detail please refer to pages 84-85



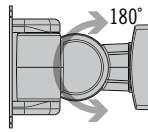
AV Series Dynamic Mounting Arm

Tilt and swivel · Single arm · Double arm · Heavy Duty

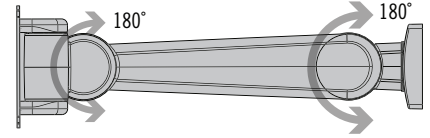
- **Intuitive grab and move operation enhances the user experience**
No knobs or tools required to reposition the monitor
Precise control of operating effort ensures ideal “feel” and eliminates “drift”
Holds securely, even in applications with dynamic loading
- **Consistent repeatable operation**
- **Fully enclosed for optimum cleanability**
- **Snap-on wire management cover**
- **Factory assembled and ready for use**

For mounting options and installation detail please refer to pages 84-85

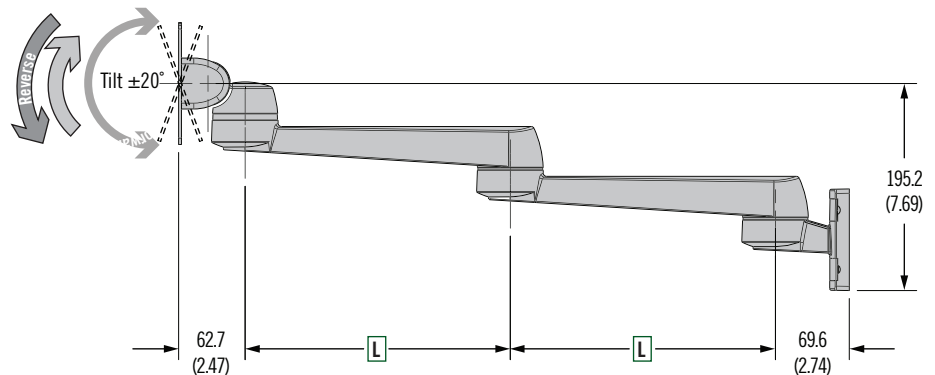
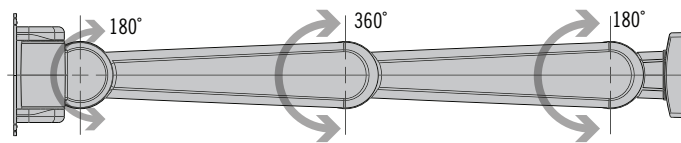
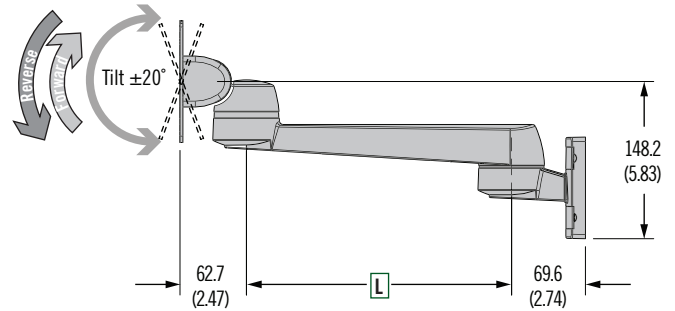
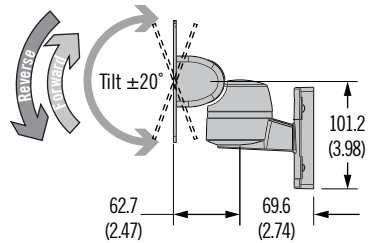
Tilt and Swivel



Single Arm



Double Arm



AV Series Dynamic Mounting Arm

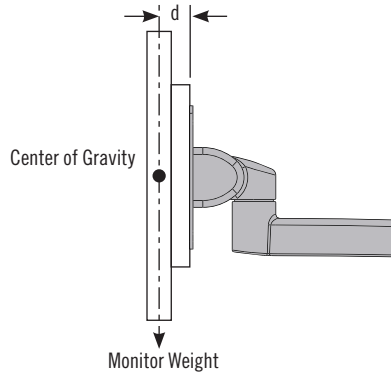
Tilt and swivel · Single arm · Double arm · Heavy Duty



Specification and Selection

Step 1

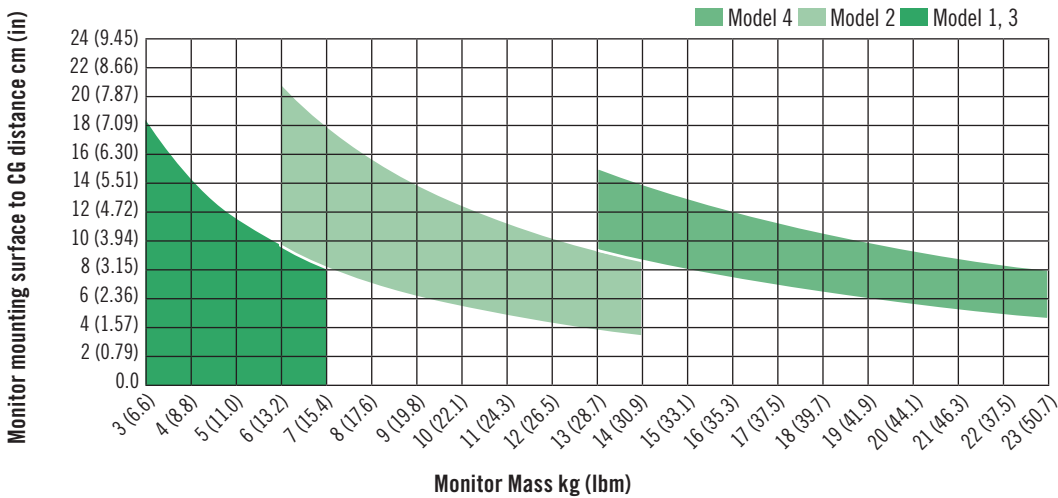
Determine monitor weight and distance (d) from mounting surface to center of gravity.



Step 2

Use chart below to select model (1, 2, 3 or 4).

Note: Double Arm not recommended for monitors over 18 kg (39 lb)



Step 3

Complete part number by selecting length and color options below.

| L | Length & Function |
|-----|-------------------|
| 13K | Tilt / swivel |
| 25A | 250mm Single arm |
| 33A | 325mm Single arm |
| 50D | 500mm Double arm |
| 65D | 650mm Double arm |

| K | Mounting style |
|---|---------------------------|
| 4 | Wall mount, Front |
| 6 | Pole mount (35-38mm Pole) |
| 7 | Rail mount |

| Style | Model | Tilt Torque N-m (in-lbf) | | Swivel Torque N-m (in-lbf) | | |
|-----------------|-------|--------------------------|-----------|----------------------------|---------------|--------------|
| | | Reverse | Forward | At Monitor Mount | At Wall Mount | Center Joint |
| Tilt and swivel | 1 | 7.9 (70) | 1.3 (10) | 3 (27) | N/A | N/A |
| | 2 | 15.4 (136) | 2.26 (20) | 3 (27) | N/A | N/A |
| | 3 | 8.6 (76) | 6.0 (53) | 3 (27) | N/A | N/A |
| | 4 | 23.1 (204) | 7 (62) | 3 (27) | N/A | N/A |
| Single arm | 1 | 7.9 (70) | 1.3 (10) | 3 (27) | 6 (53) | N/A |
| | 2 | 15.4 (136) | 2.26 (20) | 3 (27) | 6 (53) | N/A |
| | 3 | 8.6 (76) | 6.0 (53) | 3 (27) | 6 (53) | N/A |
| | 4 | 23.1 (204) | 7 (62) | 3 (27) | 6 (53) | N/A |
| Double arm | 1 | 7.9 (70) | 1.3 (10) | 3 (27) | 6 (53) | 3 (27) |
| | 2 | 15.4 (136) | 2.26 (20) | 3 (27) | 6 (53) | 3 (27) |
| | 3 | 8.6 (76) | 6.0 (53) | 3 (27) | 6 (53) | 3 (27) |
| | 4 | 23.1 (204) | 7 (62) | 3 (27) | 6 (53) | 3 (27) |

AV - D40 - L 1 K S - F

| S | Monitor size |
|---|------------------------------------|
| 1 | Small monitor, easiest positioning |
| 3 | Small monitor, extra holding force |
| 2 | Medium monitor |
| 4 | Large monitor |

| F | Finish |
|----|--------|
| 50 | Black |
| 76 | White |

Material and Finish

Aluminum alloy, powder coated

Performance Details

Cycle performance: 20,000 cycles.
See trade drawing for details.

Note: Double Arm not recommended for monitors over 18 kg (39 lb)

Max. dynamic working load:

Model 1, 3: 70 N (15.7 lbf)

Model 2: 100 N (22.5 lbf)

Model 4: 225 N (50.5 lbf)

Average ultimate load:

Tilt/Swivel: 2300 N (517 lbf)

Single Arm: 1600 N (360 lbf)

Double Arm: 1050 N (236 lbf)

Part Number Example

AV-D40-25A142-50 = Single arm, 250mm, Model 2, black



AV Series Dynamic Mounting Arm

Tilt and swivel · Single arm · Non-locking · Locking

- **Intuitive grab and move operation enhances the user experience**

No knobs or tools required to reposition the monitor

Precise control of operating effort ensures ideal “feel” and eliminates “drift”

Holds securely, even in applications with dynamic loading

- **Locking mechanism in stowed position**

- **Low profile in the stowed position**

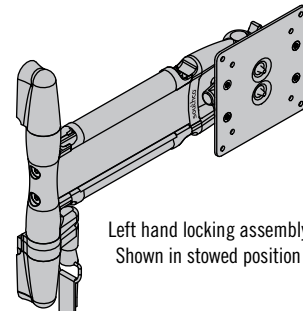
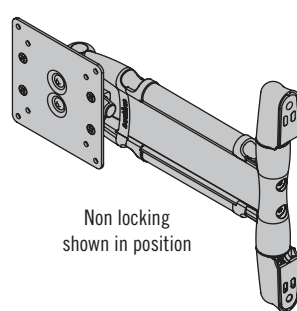
Folds to within 50 mm of the wall

- **Snap-open channels simplify wire management**

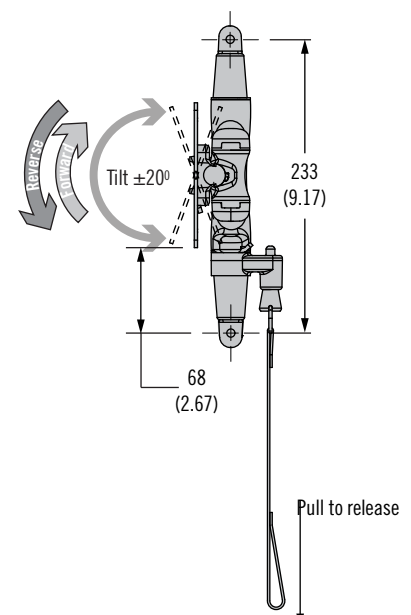
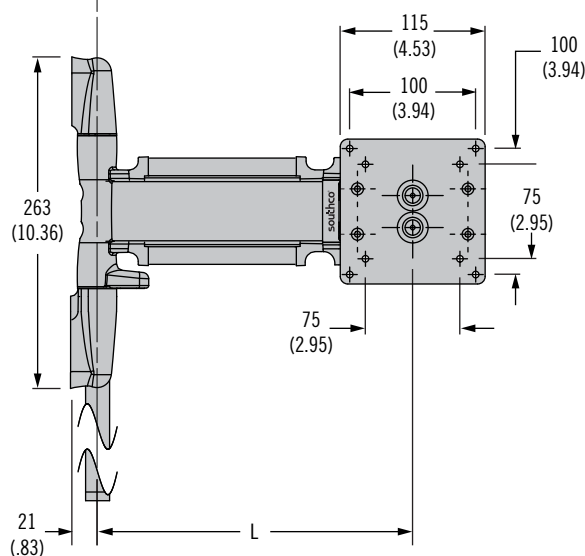
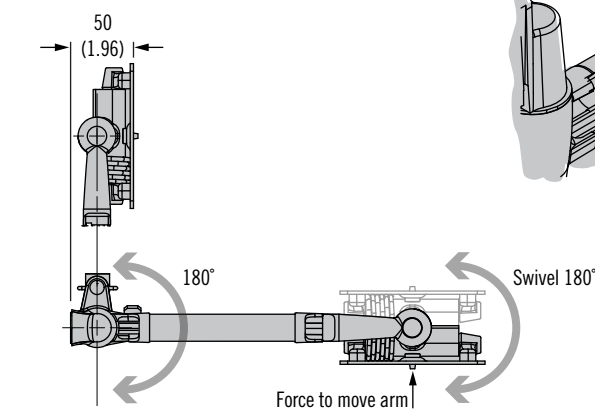
Easy monitor installation and replacement

- **Factory assembled and ready for use**

Product Detail



Wire channel in open position.



AV Series Dynamic Mounting Arm

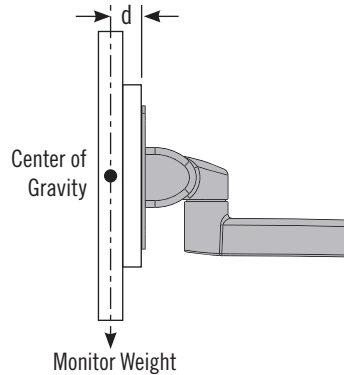
Tilt and swivel · Single arm · Non-locking · Locking



Specification and Selection

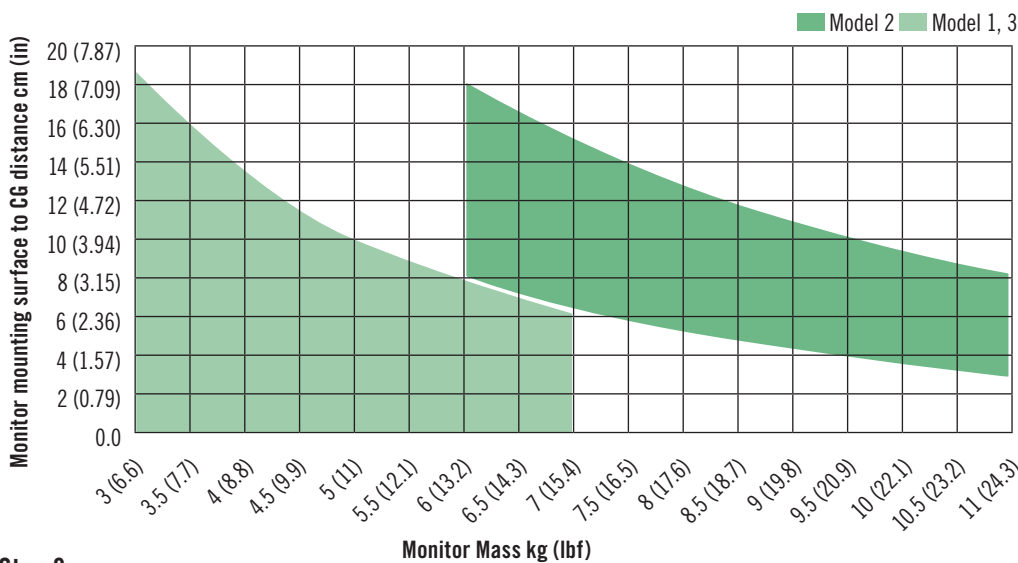
Step 1

Determine monitor weight and distance (d) from mounting surface to center of gravity.



Step 2

Use chart below to select model (1, 2 or 3).



Step 3

Complete part number by selecting length and color options below.

AV - D30 - **K** A **L** 10 **S** - **F**

| K | Length (L) | Average ultimate load N (lbf) |
|----------|------------|-------------------------------|
| 15 | 150 (5.9) | 2000 (450) |
| 25 | 250 (9.8) | 1200 (270) |
| 35 | 350 (13.8) | 850 (190) |
| 45 | 450 (17.7) | 660 (150) |

| F | Color |
|----------|-------|
| 50 | Black |
| 76 | White |

| L | Rotational Lock |
|----------|--------------------|
| C | Left hand locking |
| R | Right hand locking |
| Omit | Non locking |

| Model S | Force to move arm N (lbf) | Tilt Torque N·m (in lbf) | | Swivel Torque N·m (in lbf) |
|----------------|---------------------------|--------------------------|-----------|----------------------------|
| | | Reverse | Forward | |
| 1 | 22.2 (5) | 7.9 (70) | 1.13 (10) | 2.3 (20) |
| 2 | 33.8 (7.6) | 15.4 (136) | 2.26 (20) | 3.4 (30) |
| 3 | 33.8 (7.6) | 8.6 (76) | 6.0 (53) | 3.4 (30) |

- Smooth operation enhances the user experience
- Adjust the monitor without knobs or tools
- Holds securely in every position

Material and Finish

Aluminum alloy, powder coated

Performance Details

Cycle performance: 20,000 cycles within ± 20% of static torque specification

Max. dynamic working load:

Model 1, 3: 66 N (15 lbf)

Model 2: 98 N (22 lbf)

Average ultimate load: See table

Part Number

See table

Part Number Example

AV-D30-25AC101-50 = Dynamic mounting arm, Model 1, 250 mm Length, black, locking

Southco Performance and Application Guidelines are supplied as general guides only, as conditions vary with each application and installation method. Represented cycle performance is not a guarantee of reliability under actual usage conditions in end user product applications. Users must test potential product solutions under the actual application conditions and environment to determine suitability of the product for the purpose and function intended by the user and to assure desired performance.



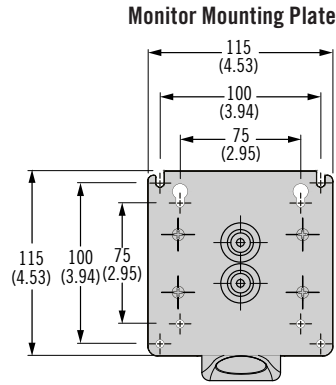
AV Series Dynamic Mounting Arm

Tilt and swivel · Single arm · Double arm · Mounting details

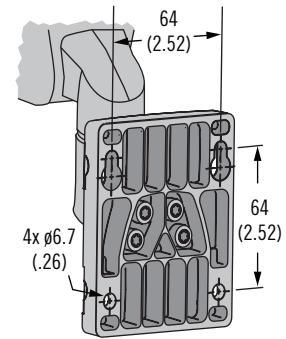
• Mounting details



Mounting Options



Wall mount front fastened K=4



Wall Mount, Rear Fastened K=0

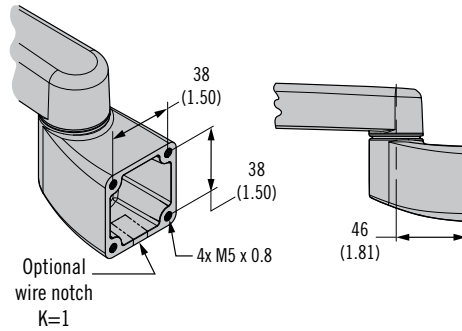
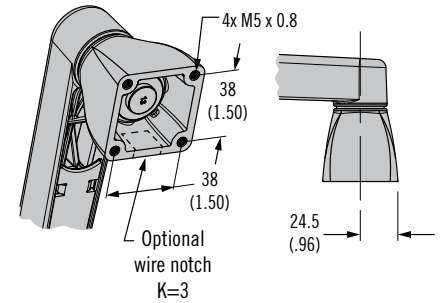
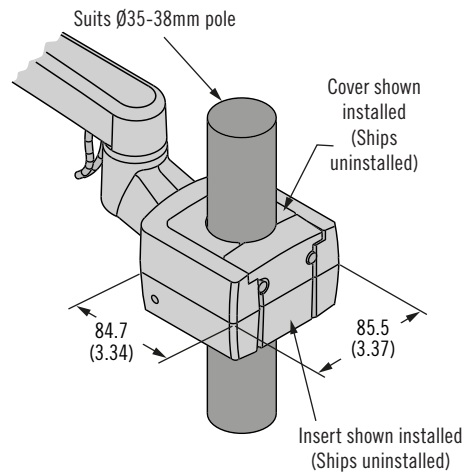


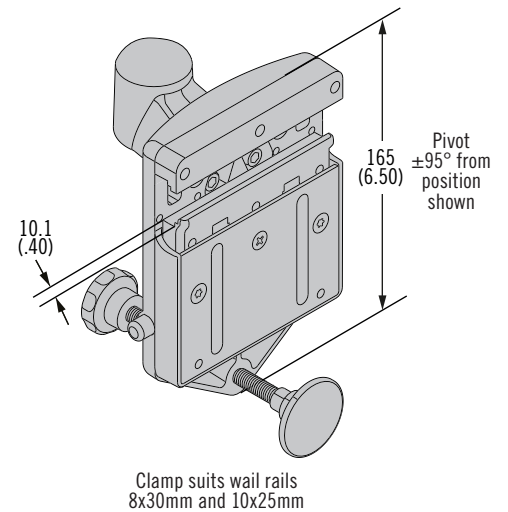
Table Mount K=2



Pole Mount K=6



Rail Mount K=7

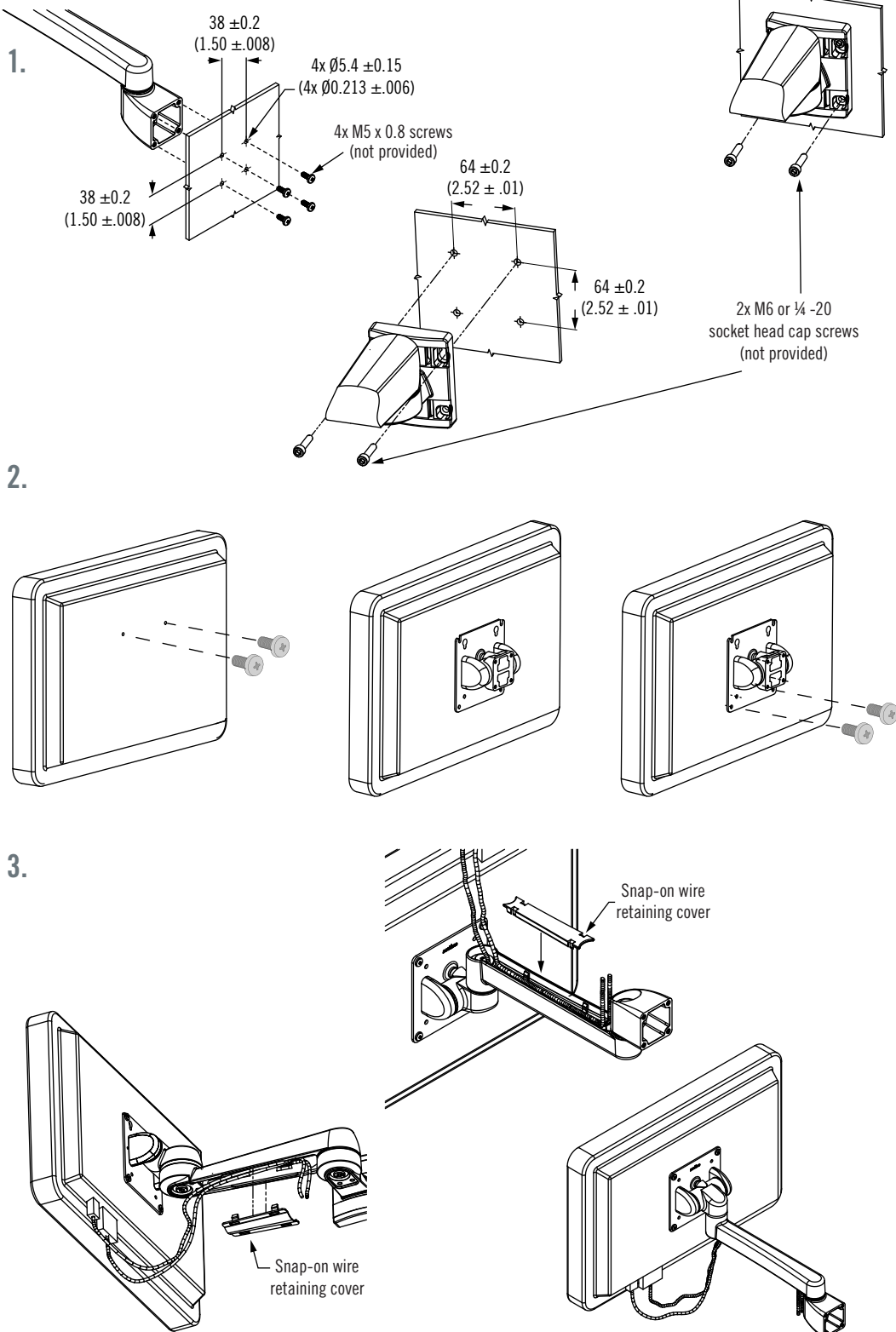


AV Series Dynamic Mounting Arm

Tilt and swivel · Single arm · Double arm · Installation details



Installation



• Mounting details

