



SOUTHCO No. A6 SLAM LATCH

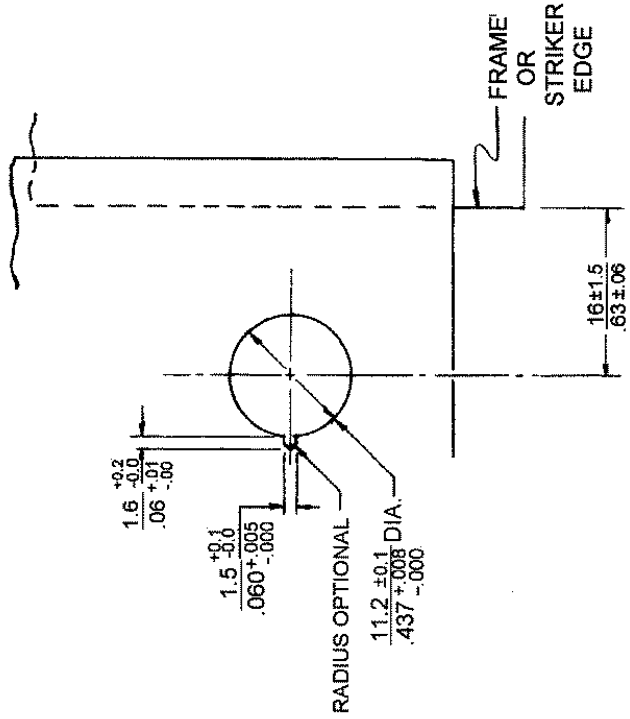
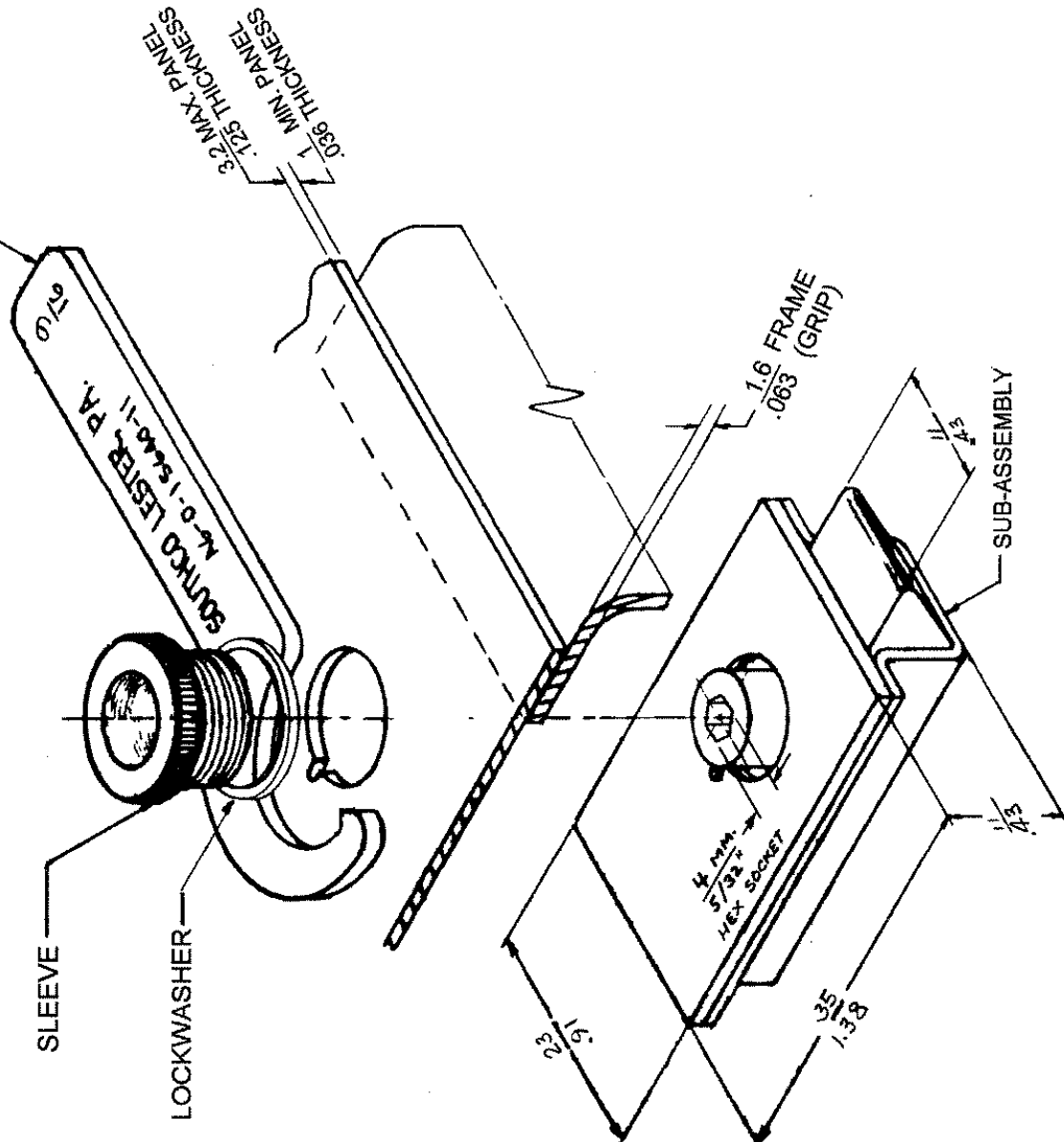
DATE	DRAWN	CHKD	SCALE	DRAWING NUMBER
10-26-81	MAA		NTS	J-A6-40-312-10

ITEM	PART No	MATERIAL	FINISH	E.S.	DATE	APP
ASSEMBLY	A6-40-312-10			A		
SUB-ASSEMBLY		SEE NOTE A	SEE NOTE A	B		
SLEEVE		STEEL	BLACK ORGANIC COATING	C		
LOCKWASHER		STEEL	DACROTIZED™	D		

™ METAL COATINGS INT'L, INC.

NOTE A ~ SUB-ASSEMBLY MATERIALS AND FINISHES  
 ~ HOUSING AND RETAINING RING ARE STEEL, ZINC PLATED.  
 ~ SPRING IS STAINLESS STEEL, NATURAL.  
 ~ ALL OTHER COMPONENTS ARE DIE CAST ZINC, WITH BLACK ORGANIC COATING.

WRENCH MUST BE ORDERED SEPARATELY BY PART No. A6-0-15640-11



INSTALLATION HOLE DETAIL

REV G 19SEP22 AJF/CTG PRN: P2022-1606

MILLIMETER INCH

PROPRIETARY ITEM—EXCEPT FOR USES EXPRESSLY GRANTED IN WRITING, INFORMATION DISCLOSED HEREON IS CONFIDENTIAL AND ALL RIGHTS, PATENT AND OTHERWISE, ARE RESERVED BY SOUTHCO, INC.

DRAWING NUMBER  
 J-A6-40-312-10