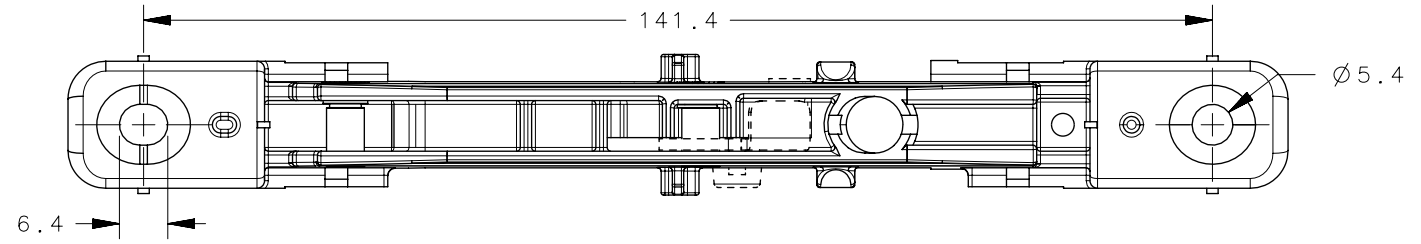
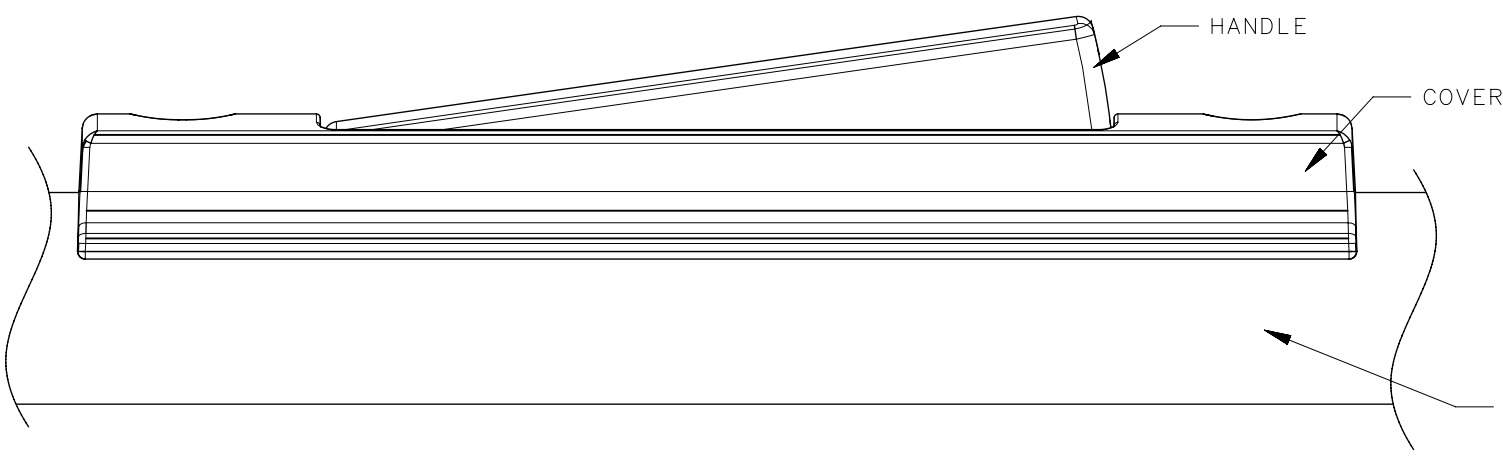
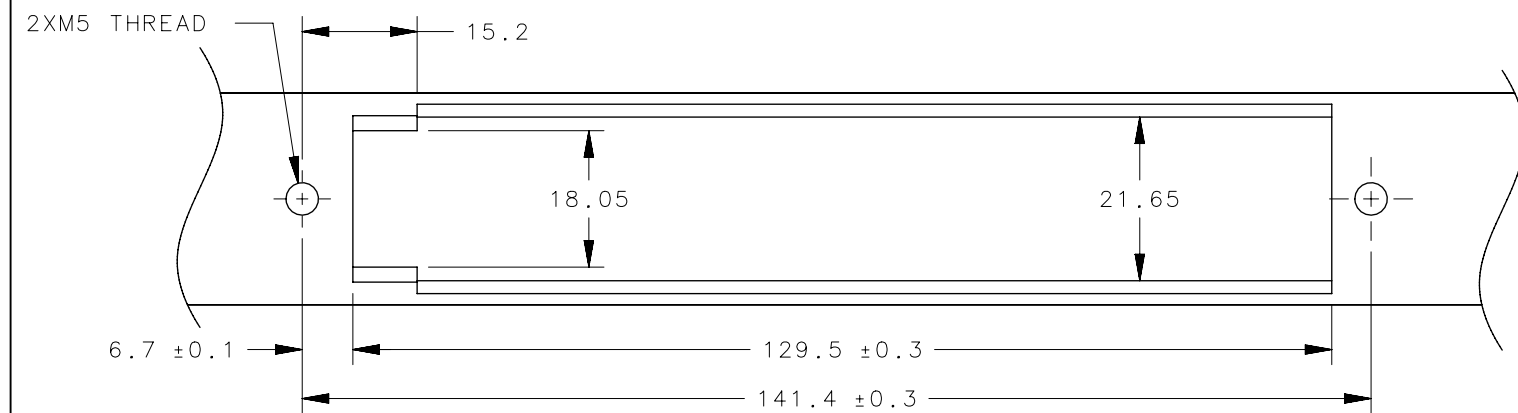


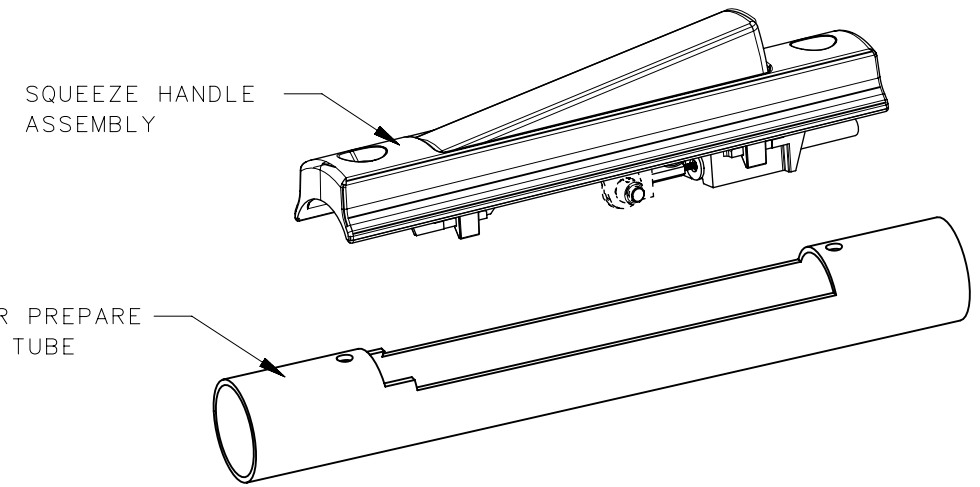
REVISION HISTORY			
REV	DATE	BY	DESCRIPTION
1	24JAN2023	PSP/DMS	PRN: P2023-0065



VIEW SHOWN WITHOUT COVER

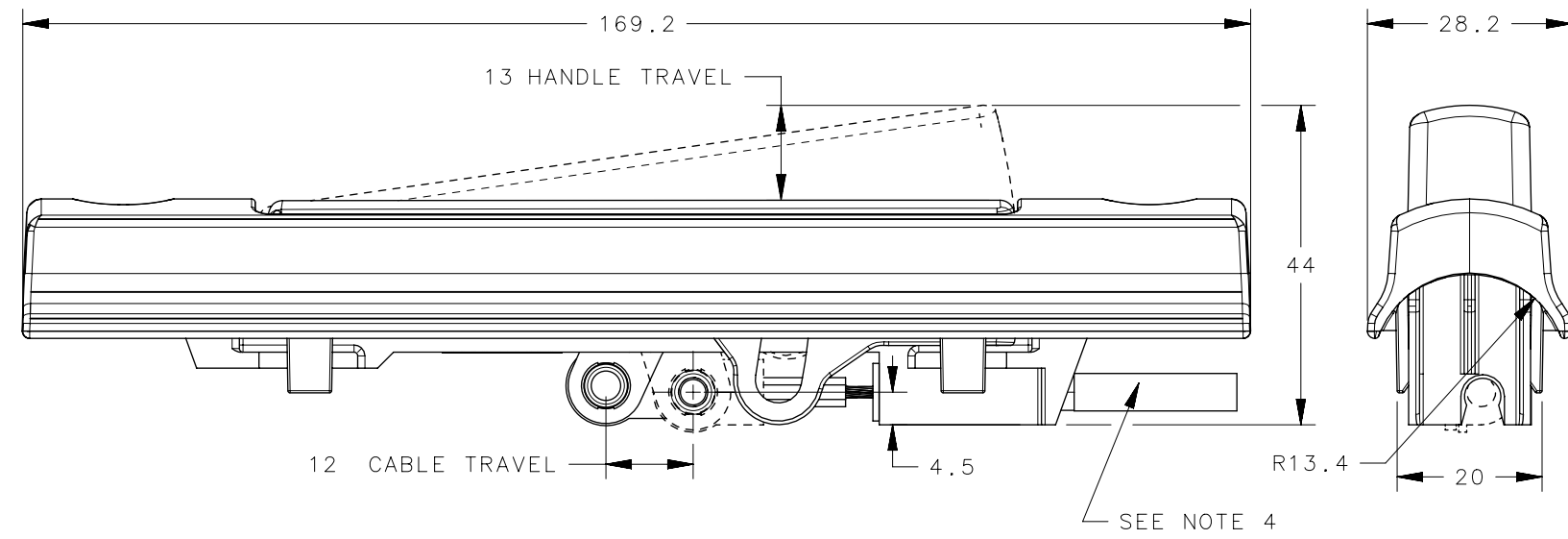


RECOMMENDED CUSTOMER INSTALL TUBE
(MINIMUM DIAMETER Ø 26.8mm)

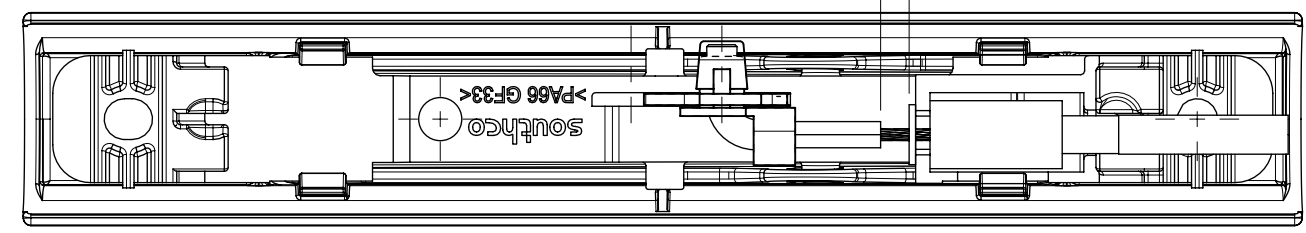


CABLE	
TYPE 5	TYPE 6 OR 7
TA = 0	TA = 2

- NOTES:
1. PREPARE TUBE AS SHOWN.
 2. RECOMMENDED SCREW INSTALL TORQUE: 2 N.m MAX.
 3. SEE TABLE FOR APPROPRIATE CABLE SELECTION
 4. USES "L" FITTING TYPE, OPTION B OR K. CABLE SOLD SEPARATELY. FOR CABLE CNFIGURATION ASSISTANCE, FIND THE CABLE CONFIGURATOR ON SOUTHCO.COM.



TA=SEE TABLE
REFER TO SOUTHCO
DRAWING: J-AC-C



PART NUMBER	TYPE OF COMPONENT	QTY	MATERIAL	FINISH
-	SPRING	1	STAINLESS STEEL	PASSIVATION
-	LINK RETAINER	1	ACETAL	BLACK
-	LEVER	1	STEEL	ZINC PLATE, BRIGHT CHROMATE
-	PIN	2	STAINLESS STEEL	PASSIVATION
-	CLIP	1	STEEL	BLACK
-	COVER	1	NYLON	BLACK
-	HOUSING	1	NYLON	BLACK
-	HANDLE	1	PA66 + GF30	BLACK
AC-50-101-11	ASSEMBLY	-	-	-

THIRD ANGLE PROJECTION			
MILLIMETERS [IN]			
TOLERANCES UNLESS OTHERWISE NOTED		DESCRIPTION	
ALL DIMENSIONS WITHOUT TOLERANCES ARE FOR REFERENCE ONLY		SQUEEZE HANDLE ASSEMBLY	
SIZE	SYSTEM	DWG NO.	
B	NX	J-AC-50	
DRAWN BY		DATE	SCALE
IW/LC		18AUG2014	1:1
PER ASME Y14.5M-1994		SHEET	1 OF 1

PROPRIETARY ITEM
EXCEPT FOR USES EXPRESSLY GRANTED
IN WRITING, INFORMATION DISCLOSED
HEREON IS CONFIDENTIAL AND ALL
RIGHTS, PATENT AND OTHERWISE,
ARE RESERVED BY SOUTHCO, INC.