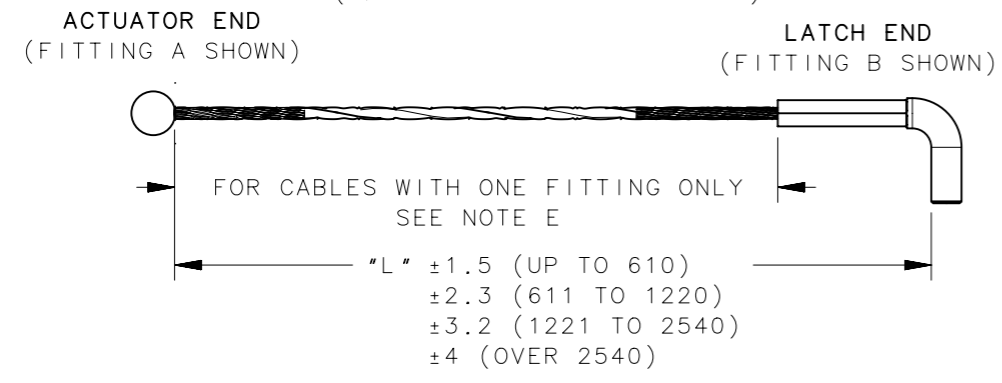
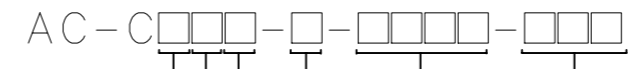


REVISION HISTORY			
REV	DATE	BY	DESCRIPTION
P	07OCT2021	KSH/HPD	PRN: P2021-1955

BARE CABLES (1)
(P/N AC-CAB0-1-LLLL SHOWN)



PART NUMBER



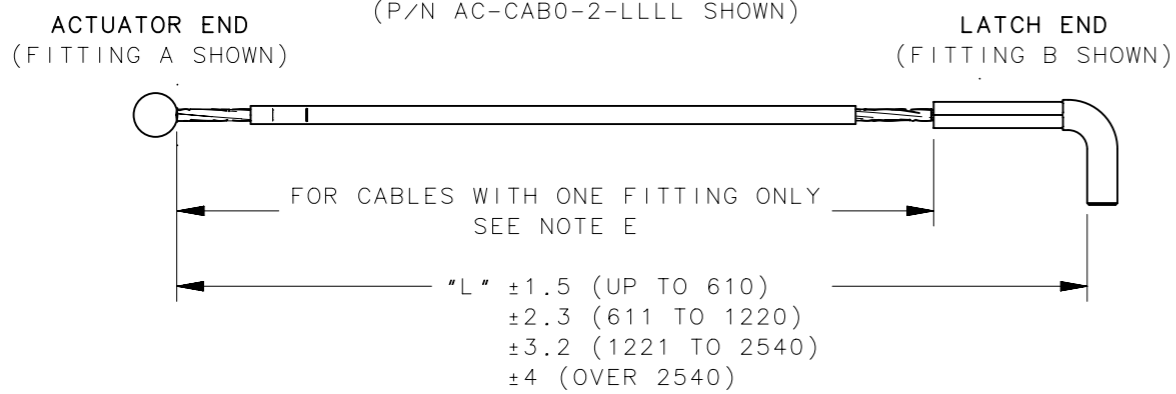
ACTUATOR FITTING TYPE (SEE SHEET 4)
 LATCH FITTING TYPE (SEE SHEET 4)
 SEE NOTE E WHEN SELECTING CABLES WITH ONE FITTING

CABLE EXTENSION (mm) * "T" = TA+TLC+TFL* (LATCH END ONLY)
 3 DIGITS (Example: 55mm = 055)
 (OMIT FOR CABLE OPTION 1 & 2) (SEE NOTE D)

CABLE LENGTH (mm) "L"
 4 DIGITS (Example: 250mm = 0250)

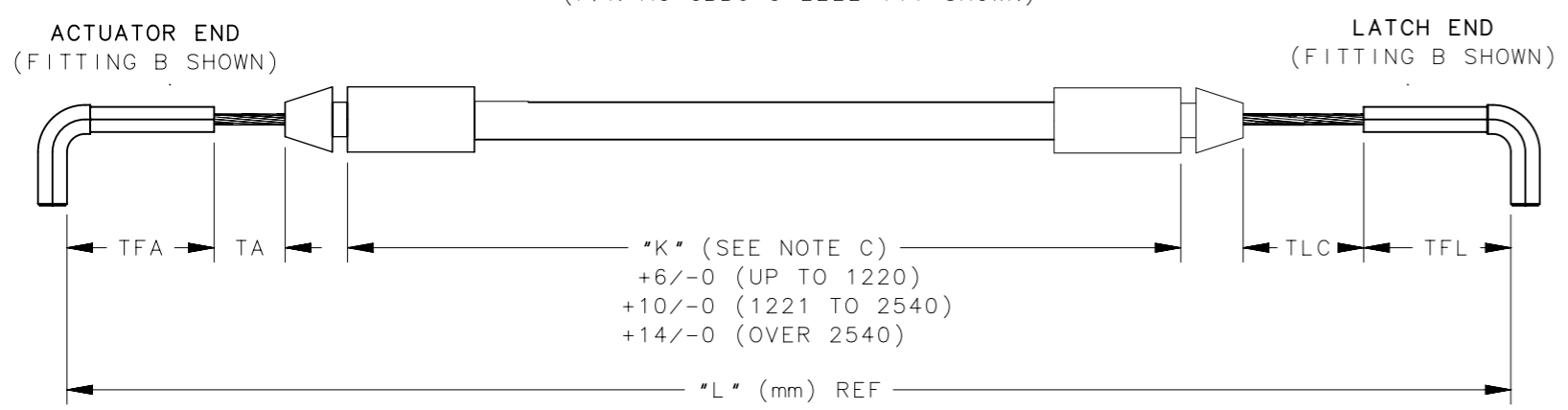
CABLE AND CONDUIT OPTION	
1	BARE CABLE
2	COATED CABLE
3	JACKETED CABLE WITH CONICAL END COUPLINGS
4	JACKETED CABLE WITH THREADED AND SNAP RING RETAINERS
5	JACKETED CABLE WITH CONICAL END COUPLING AND SNAP RING RETAINER
6	JACKETED CABLE WITH SNUB END COUPLING AND THREADED RETAINER
7	JACKETED CABLE WITH SNUB AND CONICAL END COUPLING

COATED CABLES (2)
(P/N AC-CAB0-2-LLLL SHOWN)



SPRING OPTION (LATCH FITTING END ONLY)
 0 = WITHOUT SPRING (FOR ALL CABLE TYPES)
 1 = WITH SPRING (FOR 3, 6 & 7 CABLE TYPES ONLY)
 NOTE: TLC MUST BE 29mm WHEN SPRING IS USED

JACKETED CABLES WITH CONICAL END COUPLINGS (3)
(P/N AC-CBB0-3-LLLL-TTT SHOWN)



NOTES:

A. FITTINGS ON CABLES SHOWN FOR REFERENCE ONLY. FITTINGS DEPENDENT ON ACTUATOR AND LATCH SELECTED.

B. DATUM POINTS TO DEFINE LENGTH FOR SPECIFIC FITTINGS SHOWN ON SHEET 4.

C. "K" IS A DERIVED DIMENSION BASED ON CABLE EXTENSION AND CONDUIT TYPE.

D. "T" DIMENSION = TA+TLC+TFL (LATCH END ONLY), WHERE:
 TA = BARE CABLE LENGTH BETWEEN ACTUATOR END FITTING AND CONDUIT (SEE ACTUATOR J DRAWING)
 TLC = BARE CABLE LENGTH BETWEEN CONDUIT AND LATCH END FITTING
 TFL = LATCH END FITTING VALUE FROM PAGE 4. CONTACT SOUTHCO FOR "T" DIMENSION OF OTHER FITTING COMBINATIONS
 TFA = ACTUATOR END FITTING VALUE FROM SHEET 4 (NOT USED FOR EXTENSION VALUE "T" CALCULATION)

E. WHEN CABLE WITH ONLY ONE FITTING IS SELECTED, "L" DIMENSION IS FROM FITTING DATUM LINE TO END OF CABLE. REPLACE OMITTED FITTING TYPE WITH "0", (Example: AC-CA00-7-LLLL-TTT).

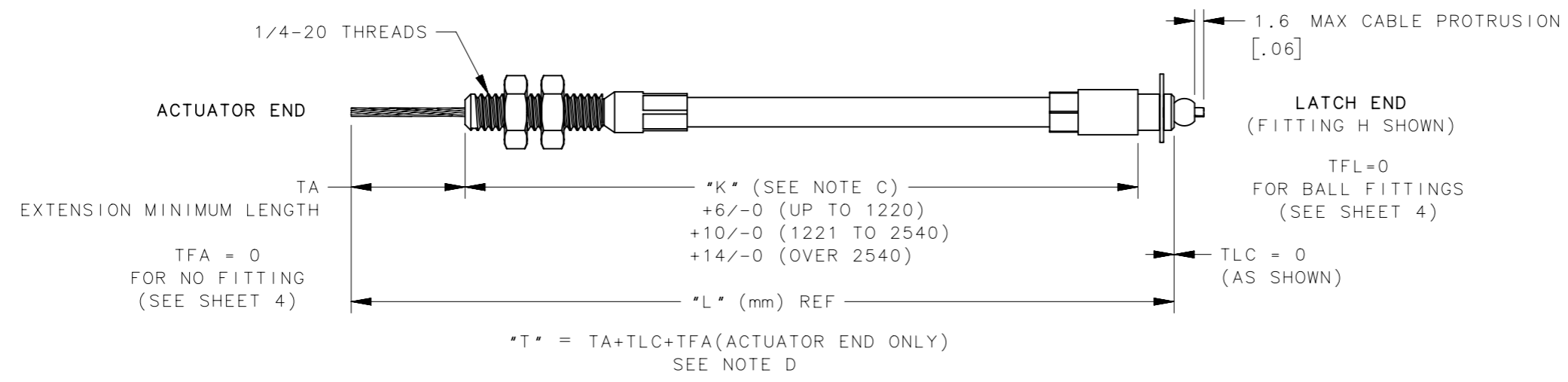
"T" = TA+TLC+TFL (LATCH END ONLY)
 ±1.5 ("L" UP TO 2540)
 ±2.3 ("L" OVER 2540)
 SEE NOTE D

CONDUIT TYPE	"K" DIMENSION	MIN "K"
TYPE 3	L-TFA-T-17.2mm	52mm

THIRD ANGLE PROJECTION						
MILLIMETERS [IN]	DESCRIPTION					
TOLERANCES UNLESS OTHERWISE NOTED	AC CABLE ASSEMBLY					
ALL DIMENSIONS WITHOUT TOLERANCES ARE FOR REFERENCE ONLY	SIZE	SYSTEM	DWG NO.	J-AC-C		
PER ASME Y14.5M-1994	A3	NX	15JUL2008	SCALE	1:1	SHEET 1 OF 4
PROPRIETARY ITEM	DRAWN BY		DATE	SCALE		SHEET
EXCEPT FOR USES EXPRESSLY GRANTED IN WRITING, INFORMATION DISCLOSED HEREON IS CONFIDENTIAL AND ALL RIGHTS, PATENT AND OTHERWISE, ARE RESERVED BY SOUTHCO, INC.	ACH/MJS		15JUL2008	1:1		1 OF 4

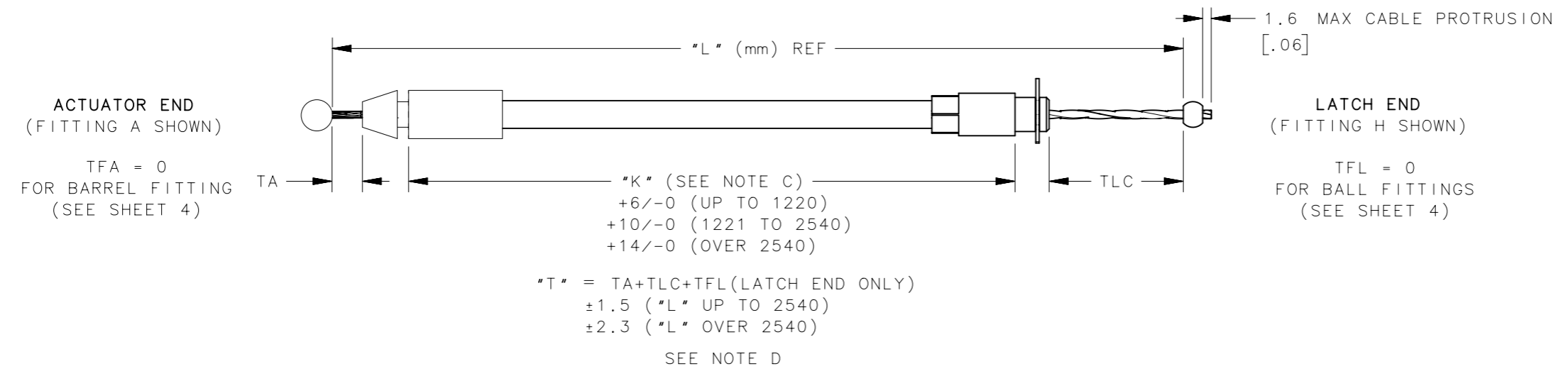
REVISION HISTORY			
REV	DATE	BY	DESCRIPTION
P	07OCT2021	KSH/HPD	PRN: P2021-1955

JACKETED CABLES WITH THREADED AND SNAP RETAINERS (4)
(P/N AC-COHO-4-LLLL-TTT SHOWN)



CONDUIT TYPE	"K" DIMENSION	MIN "K"
TYPE 4	L-TFL-T- 6.4mm	82mm

JACKETED CABLES WITH CONICAL END COUPLING AND SNAP RING RETAINERS (5)
(P/N AC-CAHO-5-LLLL-TTT SHOWN)



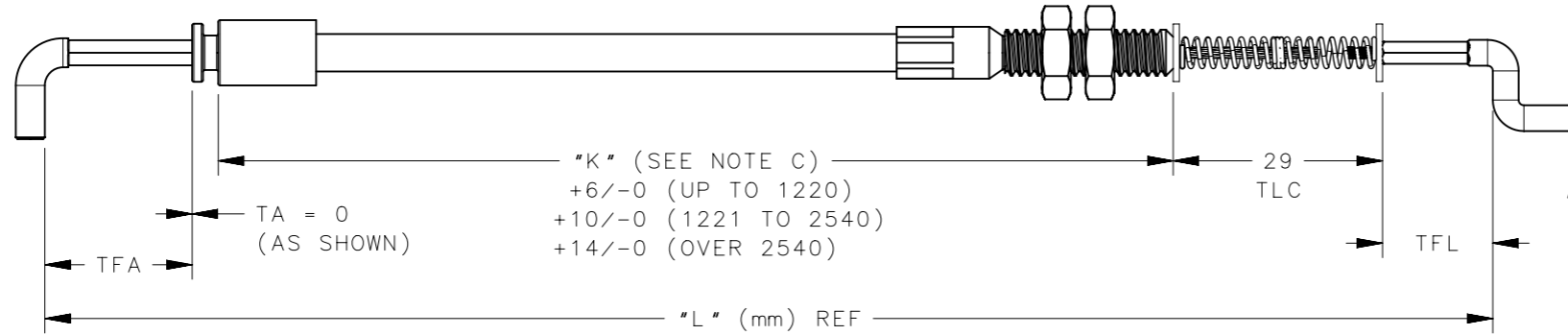
CONDUIT TYPE	"K" DIMENSION	MIN "K"
TYPE 5	L-TFA-T-15mm	62mm

THIRD ANGLE PROJECTION 					
	MILLIMETERS [IN]				
	TOLERANCES UNLESS OTHERWISE NOTED				
	ALL DIMENSIONS WITHOUT TOLERANCES ARE FOR REFERENCE ONLY				
PROPRIETARY ITEM <small>EXCEPT FOR USES EXPRESSLY GRANTED IN WRITING, INFORMATION DISCLOSED HEREON IS CONFIDENTIAL AND ALL RIGHTS, PATENT AND OTHERWISE, ARE RESERVED BY SOUTHCO, INC.</small>	PER ASME Y14.5M-1994	DESCRIPTION AC CABLE ASSEMBLY	SIZE A3	SYSTEM NX	DWG NO. J-AC-C
		DRAWN BY ACH/MJS	DATE 15JUL2008	SCALE 1:1	SHEET 2 OF 4

REVISION HISTORY			
REV	DATE	BY	DESCRIPTION
P	07OCT2021	KSH/HPD	PRN: P2021-1955

JACKETED CABLES WITH SNUB END COUPLING AND THREADED RETAINER(6)
(P/N AC-CBC1-6-LLLL-TTT SHOWN)

ACTUATOR END
(FITTING B SHOWN)



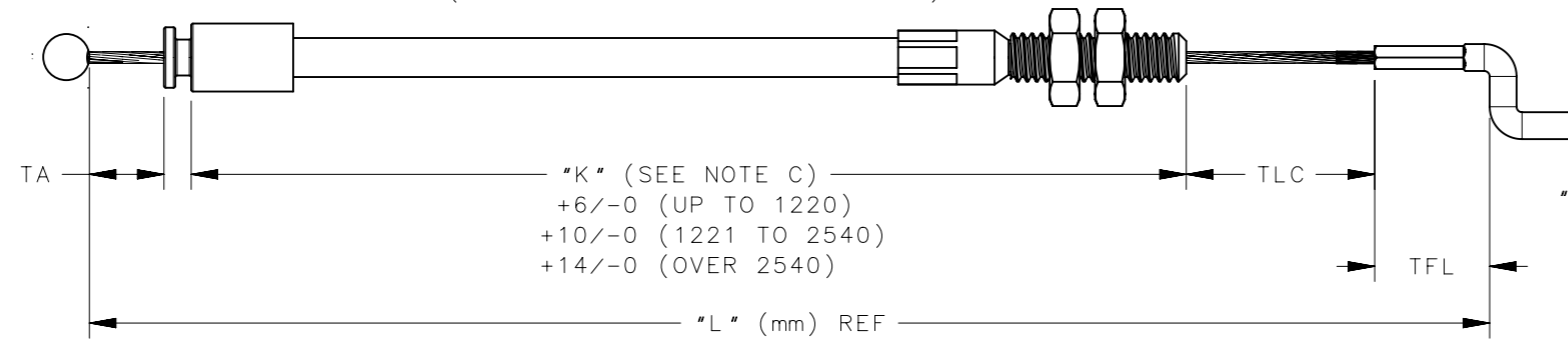
LATCH END
(FITTING C SHOWN)

"T" = TA+TLC+TFL(LATCH END ONLY)
±1.5 ("L" UP TO 2540)
±2.3 ("L" OVER 2540)
SEE NOTE D

CONDUIT TYPE	"K" DIMENSION	MIN "K"
TYPE 6	L-TFA-T-3.6mm	82mm

(P/N AC-CAC0-6-LLLL-TTT SHOWN)

ACTUATOR END
(FITTING A SHOWN)
TFA = 0
FOR BARREL FITTING
(SEE SHEET 4)



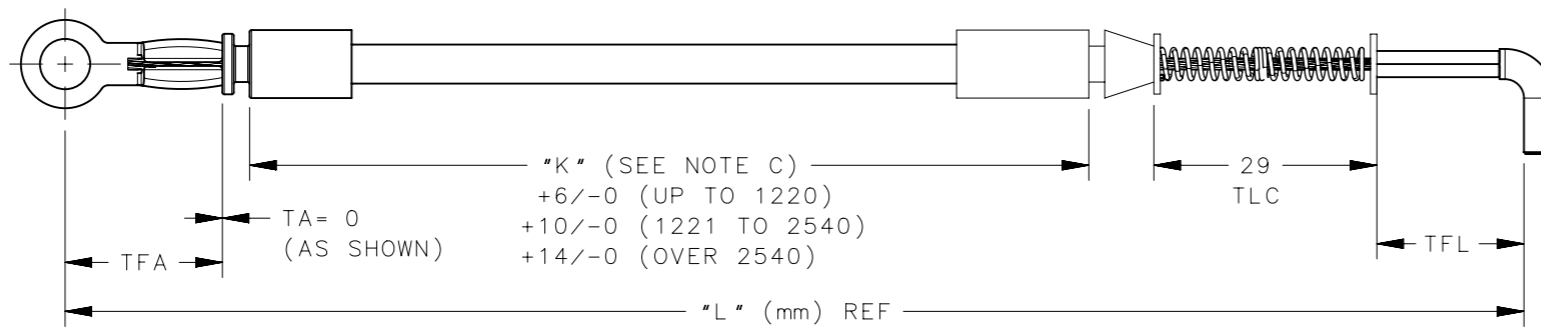
LATCH END
(FITTING C SHOWN)

"T" = TA+TLC+TFL(LATCH END ONLY)
±1.5 ("L" UP TO 2540)
±2.3 ("L" OVER 2540)
SEE NOTE D

CONDUIT TYPE	"K" DIMENSION	MIN "K"
TYPE 7	L-TFA-T-12.2mm	52mm

JACKETED CABLES WITH SNUB AND CONICAL END COUPLINGS (7)
(P/N AC-CDB1-7-LLLL-TTT SHOWN)

ACTUATOR END
(FITTING D SHOWN)



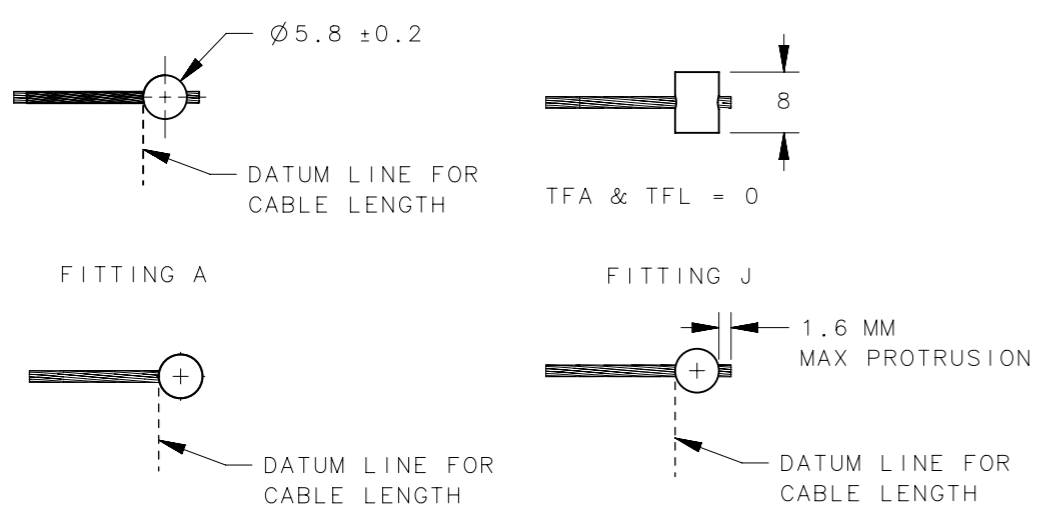
LATCH END
(FITTING B SHOWN)

"T" = TA+TLC+TFL(LATCH END ONLY)
±1.5 ("L" UP TO 2540)
±2.3 ("L" OVER 2540)
SEE NOTE D

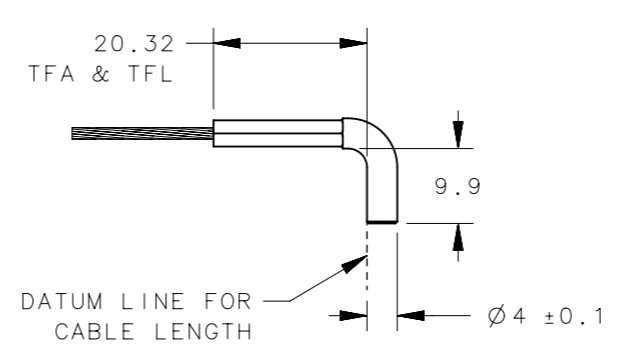
THIRD ANGLE PROJECTION 					
	MILLIMETERS [IN]				
	TOLERANCES UNLESS OTHERWISE NOTED				
	ALL DIMENSIONS WITHOUT TOLERANCES ARE FOR REFERENCE ONLY				
PROPRIETARY ITEM <small>EXCEPT FOR USES EXPRESSLY GRANTED IN WRITING, INFORMATION DISCLOSED HEREON IS CONFIDENTIAL AND ALL RIGHTS, PATENT AND OTHERWISE, ARE RESERVED BY SOUTHCO, INC.</small>	PER ASME Y14.5M-1994	DESCRIPTION AC CABLE ASSEMBLY	SIZE A3	SYSTEM NX	DWG NO. J-AC-C
		DRAWN BY ACH/MJS	DATE 15JUL2008	SCALE 1:1	SHEET 3 OF 4

REVISION HISTORY			
REV	DATE	BY	DESCRIPTION
P	07OCT2021	KSH/HPD	PRN: P2021-1955

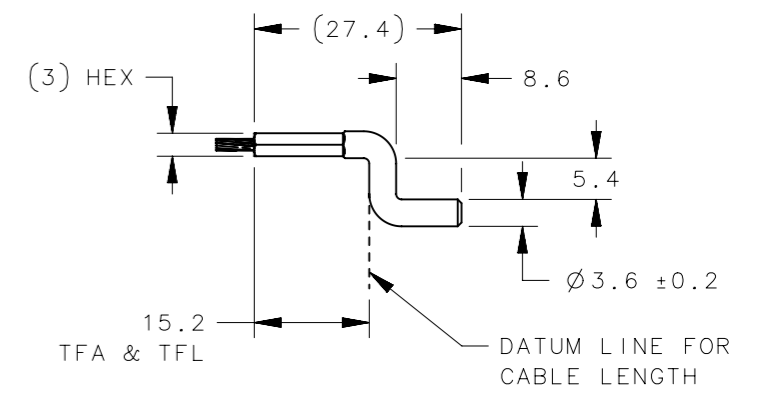
FITTING A (BARREL FITTING) DIE CAST ZINC
 FITTING J (BARREL FITTING) STAINLESS STEEL



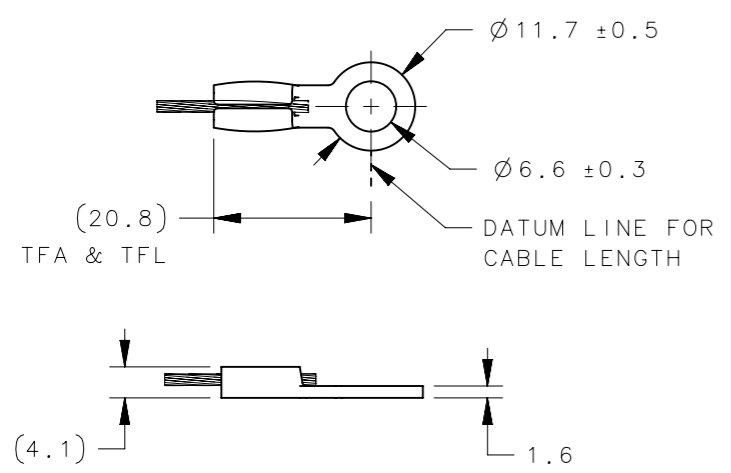
FITTING B (L FITTING) STEEL
 FITTING K (L FITTING) STAINLESS STEEL



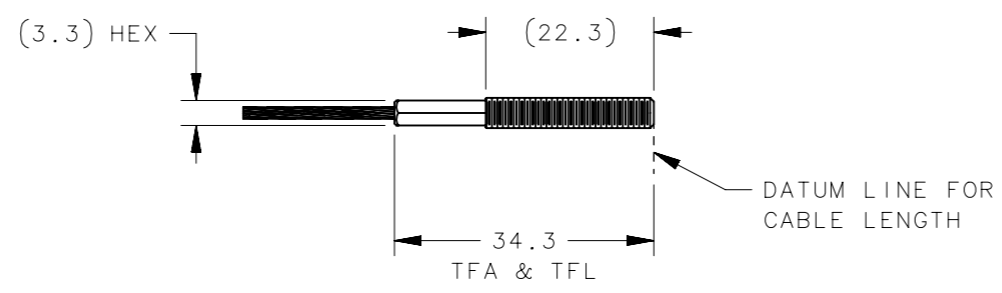
FITTING C (Z FITTING) STEEL



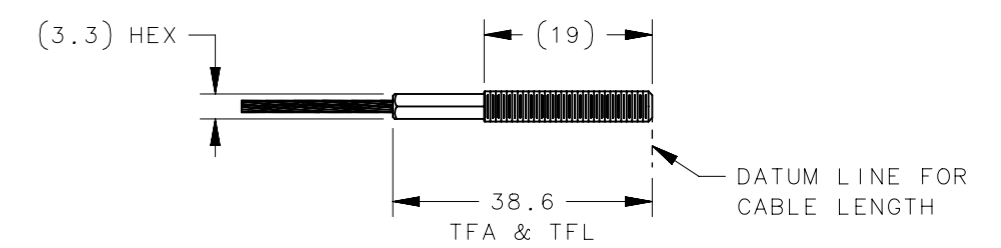
FITTING D (EYELET FITTING) STAINLESS STEEL



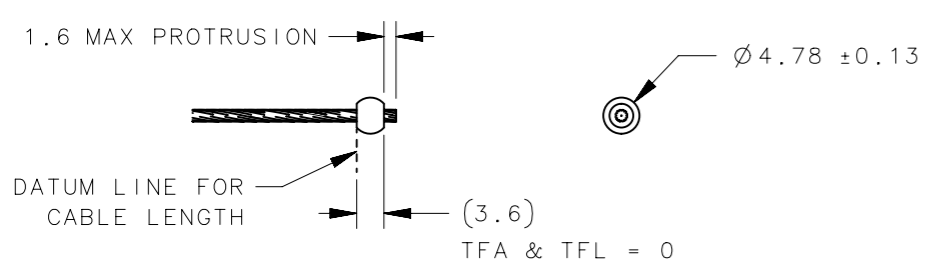
FITTING E (THREADED FITTING) STEEL
 M4 THREAD



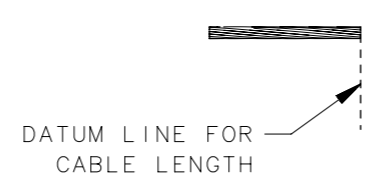
FITTING F (THREADED FITTING) STEEL
 8-32 THREAD



FITTING H (BALL FITTING) STAINLESS STEEL



FITTING O [ZERO] (BARE CABLE) STAINLESS STEEL
 Ø 1.7



-	END COUPLING	NYLON	BLACK
-	SPRING	STAINLESS STEEL	NATURAL
-	JACKET	POLYPROPYLENE	BLACK
-	LINER	ACETAL	WHITE
-	CABLE	STAINLESS STEEL	NATURAL
-	WASHER(2)	STAINLESS STEEL	NATURAL
K	L FITTING	300 SERIES STAINLESS STEEL	NATURAL
J	BARREL FITTING	300 SERIES STAINLESS STEEL	NATURAL
H	BALL FITTING	300 SERIES STAINLESS STEEL	NATURAL
F	THREADED TERMINAL 8-32	STEEL	ZINC PLATED
E	THREADED TERMINAL M4	STEEL	ZINC PLATED
D	EYELET FITTING	300 SERIES STAINLESS STEEL	NATURAL
C	Z FITTING	STEEL	ZINC PLATED
B	L FITTING	STEEL	ZINC PLATED
A	BARREL FITTING	ZAMAK 5	NATURAL
FITTING VARIABLE		TYPE OF COMPONENT	FINISH

THIRD ANGLE PROJECTION

MILLIMETERS [IN]

TOLERANCES UNLESS OTHERWISE NOTED

ALL DIMENSIONS WITHOUT TOLERANCES ARE FOR REFERENCE ONLY

PER ASME Y14.5M-1994

DESCRIPTION: AC CABLE ASSEMBLY FITTINGS

SIZE: A3 SYSTEM: NX DWG NO.: J-AC-C

DRAWN BY: ACH/MJS DATE: 15JUL2008 SCALE: 1:1 SHEET: 4 OF 4

southco
CONNECT • CREATE • INNOVATE

PROPRIETARY ITEM
 EXCEPT FOR USES EXPRESSLY GRANTED
 IN WRITING, INFORMATION DISCLOSED
 HEREON IS CONFIDENTIAL AND ALL
 RIGHTS, PATENT AND OTHERWISE,
 ARE RESERVED BY SOUTHCO, INC.