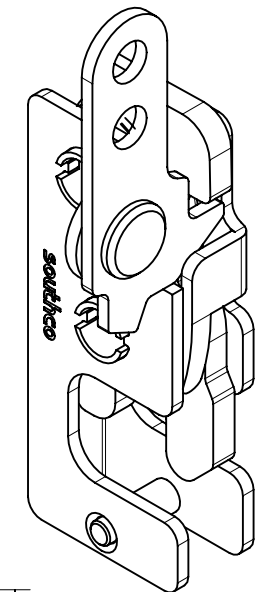
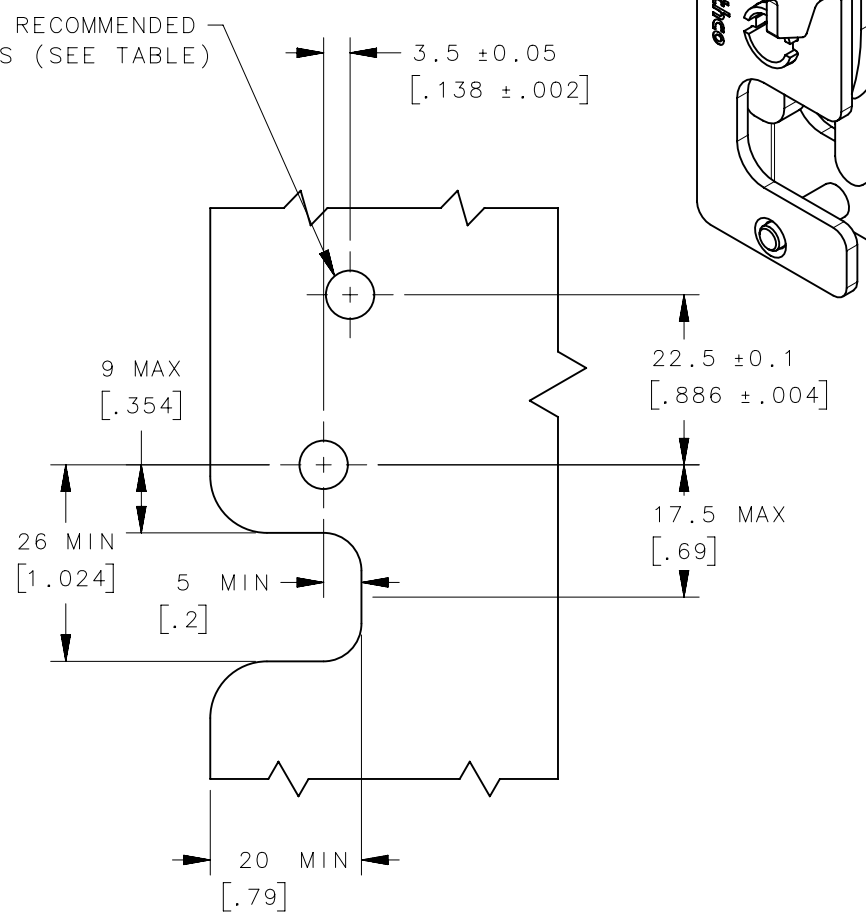
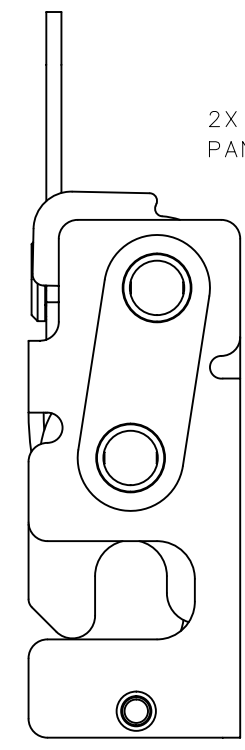
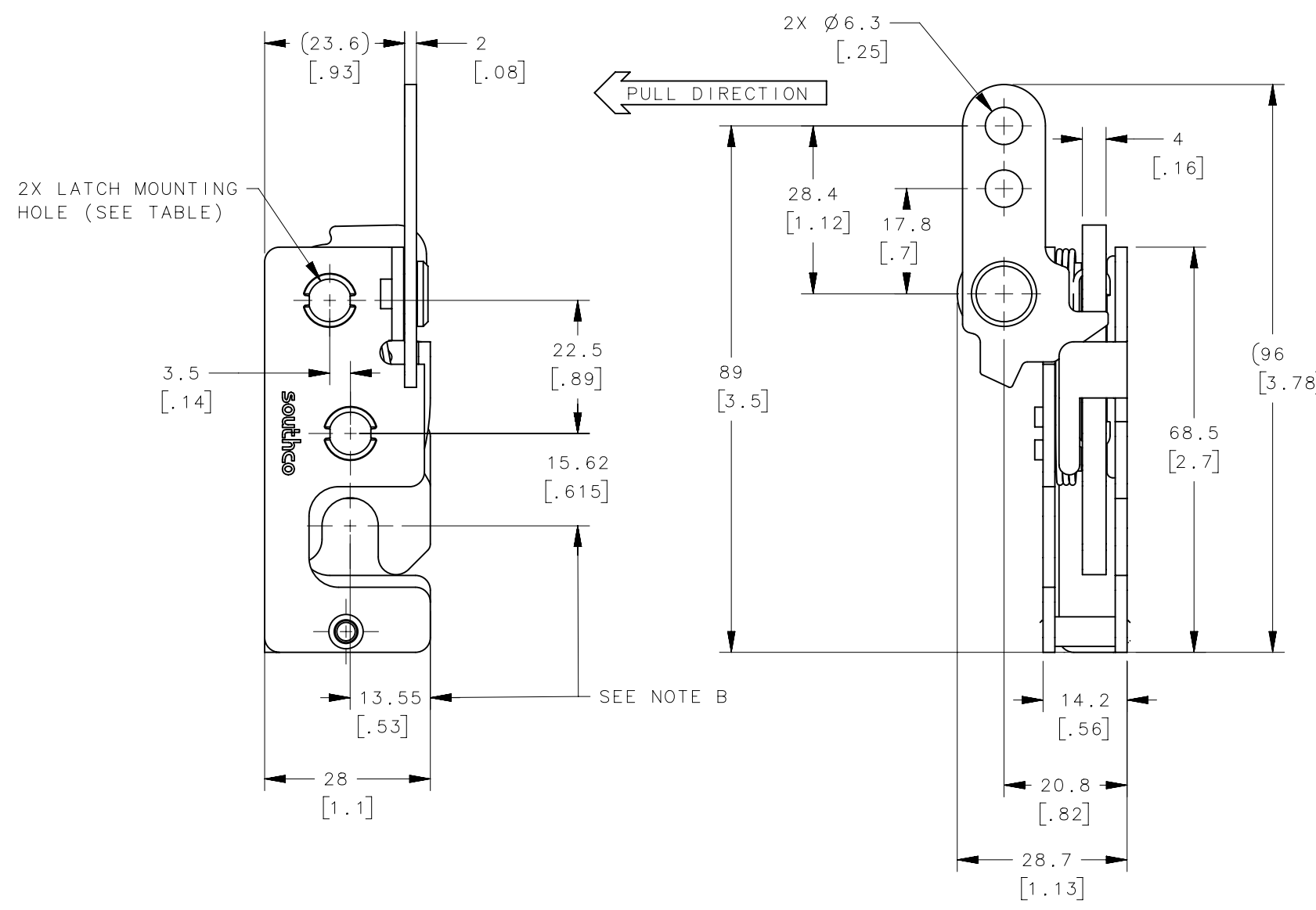


REVISION HISTORY			
REV	DATE	BY	DESCRIPTION
B	27JUL2021	KSH/HPD	PRN: P2021-1536



PANEL PREPARATION

- NOTES:
- A. MATERIAL AND FINISH:
- ALL PARTS STAINLESS STEEL,
 - B. THESE DIMENSIONS REQUIRED FOR MOUNTING STRIKER BOLT.
 - C. Ø6.3 (.25) LEVER HOLES USE OPTIONAL CABLE RETAINER R4-0-43922 SOLD SEPARATELY.

R4-10-40-201-20	Ø 7.2mm THRU	Ø 7.6 [.299]	SEE NOTE A	SEE NOTE A
R4-10-41-201-20	1/4-20 THREAD	Ø 6.8 [.268]		
R4-10-42-201-20	M6 THREAD	Ø 6.4 [.252]		
ASSEMBLY PART NUMBER	LATCH MOUNTING HOLE	MINIMUM RECOMMENDED PANEL HOLE	MATERIAL	FINISH

THIRD ANGLE PROJECTION			
MILLIMETERS [IN]			
TOLERANCES UNLESS OTHERWISE NOTED	DESCRIPTION R4 SS MINI TWO STAGE ROTARY LATCH INLINE - LEFT HAND		
ALL DIMENSIONS WITHOUT TOLERANCES ARE FOR REFERENCE ONLY.	SIZE B	SYSTEM NX	DWG NO. J-R4-10-40-201-20
PER ASME Y14.5M-1994	DRAWN BY YSN/ACH	DATE 26APR2012	SCALE 1:1 SHEET 1 OF 2

6

5

4

3

2

1

6

5

4

3

2

1

6

5

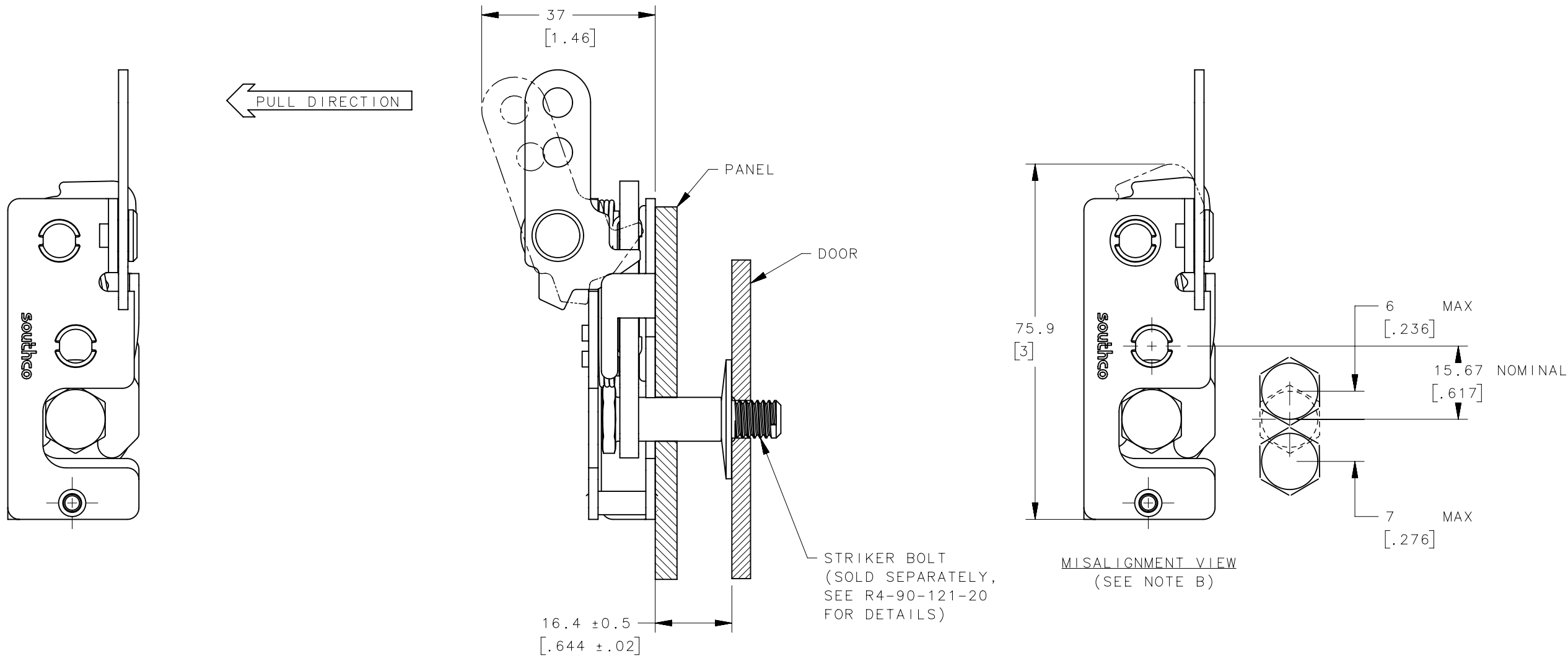
4

3

2

1

REVISION HISTORY			
REV	DATE	BY	DESCRIPTION
B	27JUL2021	KSH/HPD	PRN: P2021-1536



NOTES:

- A. THE TOLERANCE BETWEEN THE LATCH AND STRIKER BOLT ASSUMES A NON-RIGID DOOR INSTALLATION THAT WILL ALLOW THE DOOR TO MOVE INTO THE NOMINAL POSITION DURING LATCHING. RIGID DOORS MUST HAVE THE STRIKER INSTALLED PER THE PANEL PREPARATION RECOMMENDATION.
- B. THE MISALIGNMENT VIEW ASSUMES THE LATCH IS CONNECTED TO A PERFECTLY RIGID DOOR AND HINGE; THEREFORE, THERE IS NO DOOR AND/OR HINGE SLACK ASSOCIATED WITH THESE DIMENSIONS. THE MISALIGNMENT VIEW DOES NOT TAKE FLEXING OF THE STRIKER BOLT INTO ACCOUNT.

THIRD ANGLE PROJECTION MILLIMETERS [IN] TOLERANCES UNLESS OTHERWISE NOTED ALL DIMENSIONS WITHOUT TOLERANCES ARE FOR REFERENCE ONLY. PROPRIETARY ITEM <small>EXCEPT FOR USES EXPRESSLY GRANTED IN WRITING, INFORMATION DISCLOSED HEREON IS CONFIDENTIAL AND ALL RIGHTS, PATENT AND OTHERWISE, ARE RESERVED BY SOUTHCO, INC.</small>				
	PER ASME Y14.5M-1994		DESCRIPTION R4 SS MINI TWO STAGE ROTARY LATCH INLINE - LEFT HAND	
	SIZE B	SYSTEM NX	DWG NO. J-R4-10-40-201-20	SCALE 1:1
	DRAWN BY YSN/ACH	DATE 26APR2012	SHEET 2 OF 2	

6

5

4

3

2

1