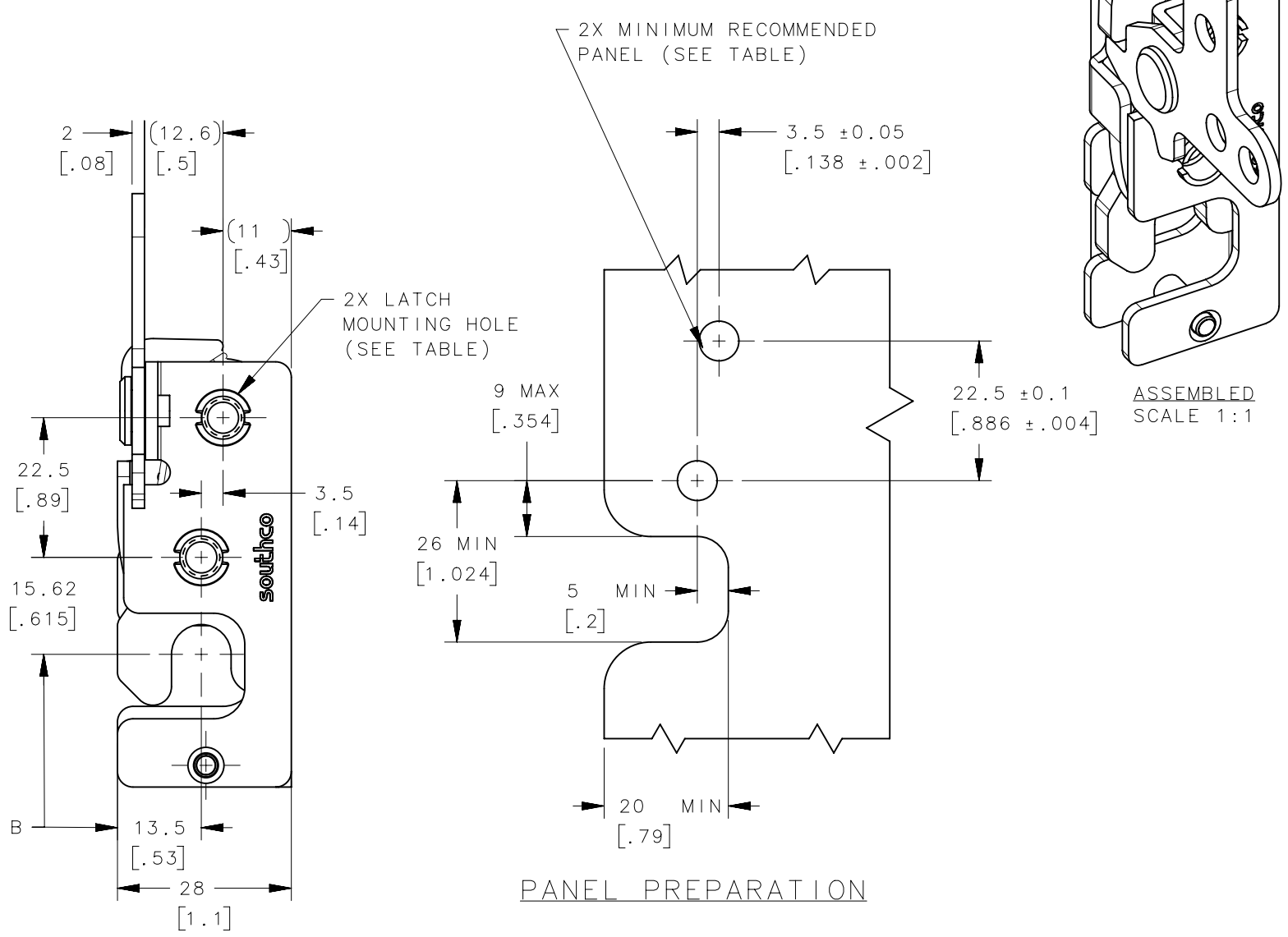
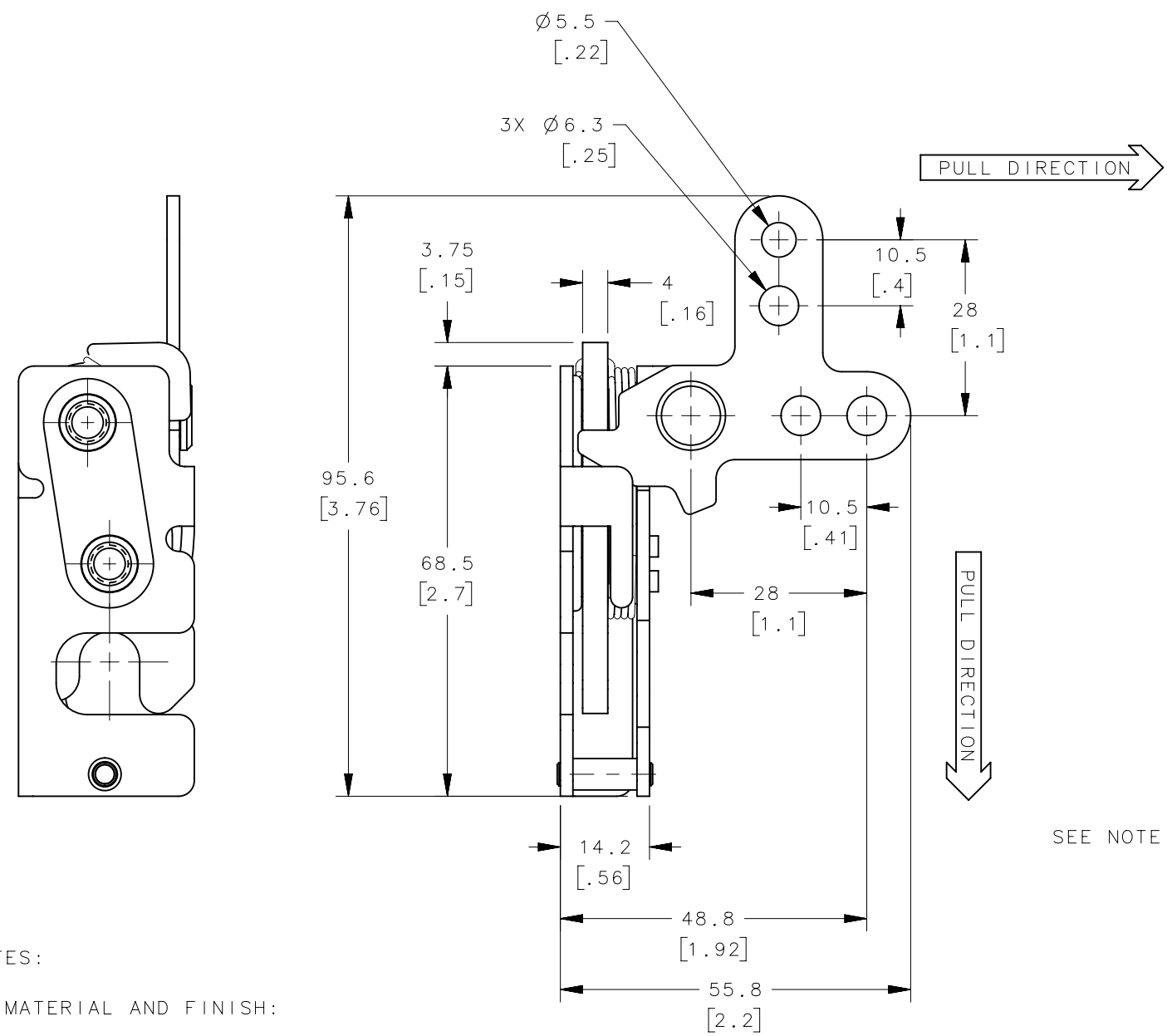


REVISION HISTORY			
REV	DATE	BY	DESCRIPTION
D	27JUL2021	KSH/HPD	PRN: P2021-1527



- NOTES:
- A. MATERIAL AND FINISH:
    - HOUSING, LEVER AND INTERNAL COMPONENTS:  
MATERIAL - STEEL  
-10 ZINC PLATED, BRIGHT CHROMATE  
-77 ZINC NICKEL, BRIGHT CHROMATE
    - PAWL AND TRIGGER:  
MATERIAL - HARDENED STEEL  
-10 ZINC PLATED, BRIGHT CHROMATE  
-77 ZINC NICKEL, BRIGHT CHROMATE
    - SPRING: STAINLESS STEEL, PASSIVATED
  - B. THESE DIMENSIONS REQUIRED FOR MOUNTING STRIKER BOLT.
  - C. Ø6.3 (.25) LEVER HOLES USE OPTIONAL CABLE RETAINER R4-0-43922 SOLD SEPARATELY.

R4-10-10-301-77	Ø 7.2mm THRU	Ø 7.6 [.299]	SEE NOTE A	SEE NOTE A
R4-10-11-301-77	1/4-20 THREAD	Ø 6.8 [.268]		
R4-10-12-301-77	M6 THREAD	Ø 6.4 [.252]		
R4-10-10-301-10	Ø 7.2mm THRU	Ø 7.6 [.299]		
R4-10-11-301-10	1/4-20 THREAD	Ø 6.8 [.268]		
R4-10-12-301-10	M6 THREAD	Ø 6.4 [.252]		
ASSEMBLY PART NUMBER	LATCH MOUNTING HOLE	MINIMUM RECOMMENDED PANEL HOLE	MATERIAL	FINISH

THIRD ANGLE PROJECTION		 CONNECT • CREATE • INNOVATE		
MILLIMETERS [IN]				
TOLERANCES UNLESS OTHERWISE NOTED		DESCRIPTION R4-10 MINI ROTARY LATCH WITH TRIGGER HOLE - RIGHT HAND		
ALL DIMENSIONS WITHOUT TOLERANCES ARE FOR REFERENCE ONLY.		SIZE B	SYSTEM NX	DWG NO. J-R4-10-10-301
PER ASME Y14.5M-1994		DRAWN BY ACH/JCK	DATE 10NOV2010	SCALE 1:1
<small>PROPRIETARY ITEM EXCEPT FOR USES EXPRESSLY GRANTED IN WRITING, INFORMATION DISCLOSED HEREON IS CONFIDENTIAL AND ALL RIGHTS, PATENT AND OTHERWISE, ARE RESERVED BY SOUTHCO, INC.</small>		SHEET 1 OF 2		

6

5

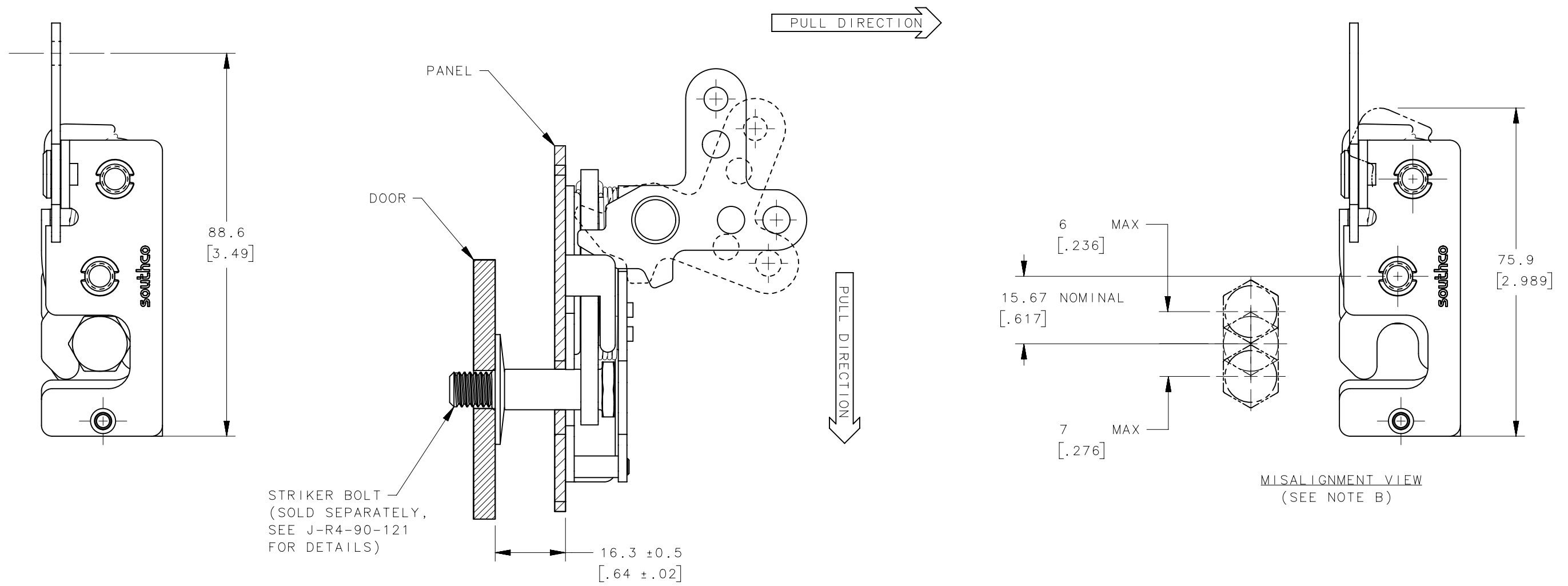
4

3

2

1

REVISION HISTORY			
REV	DATE	BY	DESCRIPTION
D	27JUL2021	KSH/HPD	PRN: P2021-1527



NOTES:

- A. THE TOLERANCE BETWEEN THE LATCH AND STRIKER BOLT ASSUMES A NON-RIGID DOOR INSTALLATION THAT WILL ALLOW THE DOOR TO MOVE INTO THE NOMINAL POSITION DURING LATCHING. RIGID DOORS MUST HAVE THE STRIKER INSTALLED PER THE PANEL PREPARATION RECOMMENDATION.
- B. THE MISALIGNMENT VIEW ASSUMES THE LATCH IS CONNECTED TO A PERFECTLY RIGID DOOR AND HINGE; THEREFORE, THERE IS NO DOOR AND/OR HINGE SLACK ASSOCIATED WITH THESE DIMENSIONS. THE MISALIGNMENT VIEW DOES NOT TAKE FLEXING OF THE STRIKER BOLT INTO ACCOUNT.

THIRD ANGLE PROJECTION		<b>southco</b> <sup>®</sup> CONNECT • CREATE • INNOVATE	
MILLIMETERS [IN]			
TOLERANCES UNLESS OTHERWISE NOTED		DESCRIPTION R4-10 MINI ROTARY LATCH WITH TRIGGER HOLE - RIGHT HAND	
ALL DIMENSIONS WITHOUT TOLERANCES ARE FOR REFERENCE ONLY.		SIZE B	SYSTEM NX
PER ASME Y14.5M-1994		DWG NO. J-R4-10-10-301	SCALE 1:1
PROPRIETARY ITEM EXCEPT FOR USES EXPRESSLY GRANTED IN WRITING, INFORMATION DISCLOSED HEREON IS CONFIDENTIAL AND ALL RIGHTS, PATENT AND OTHERWISE, ARE RESERVED BY SOUTHCO, INC.		DRAWN BY ACH/JCK	DATE 10NOV2010
		SHEET 2 OF 2	

6

5

4

3

2

1