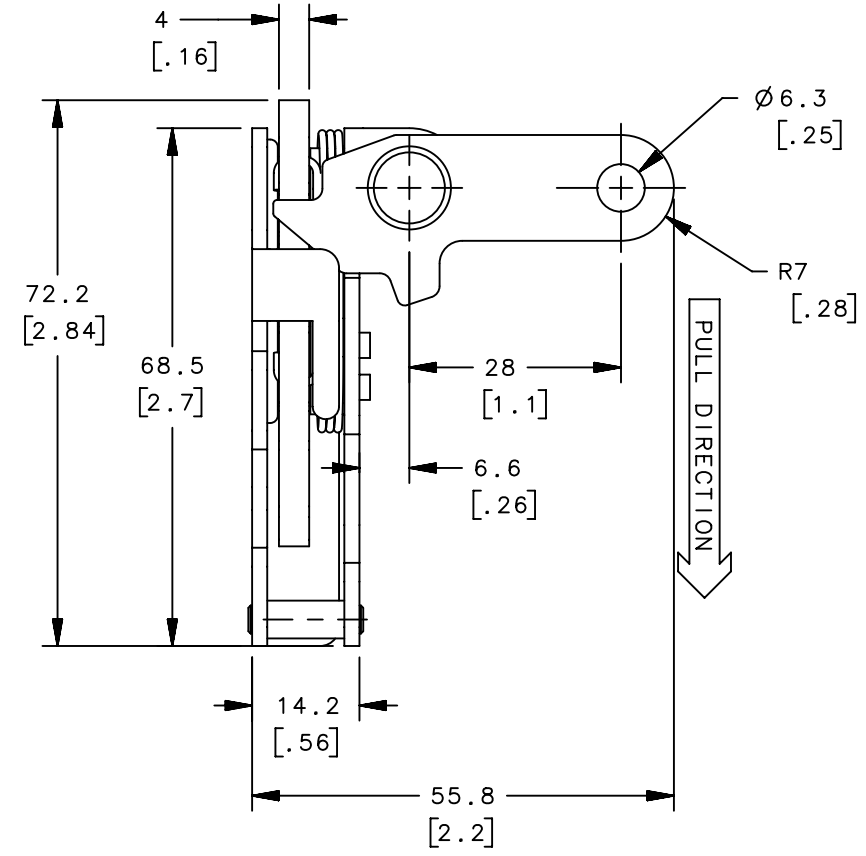
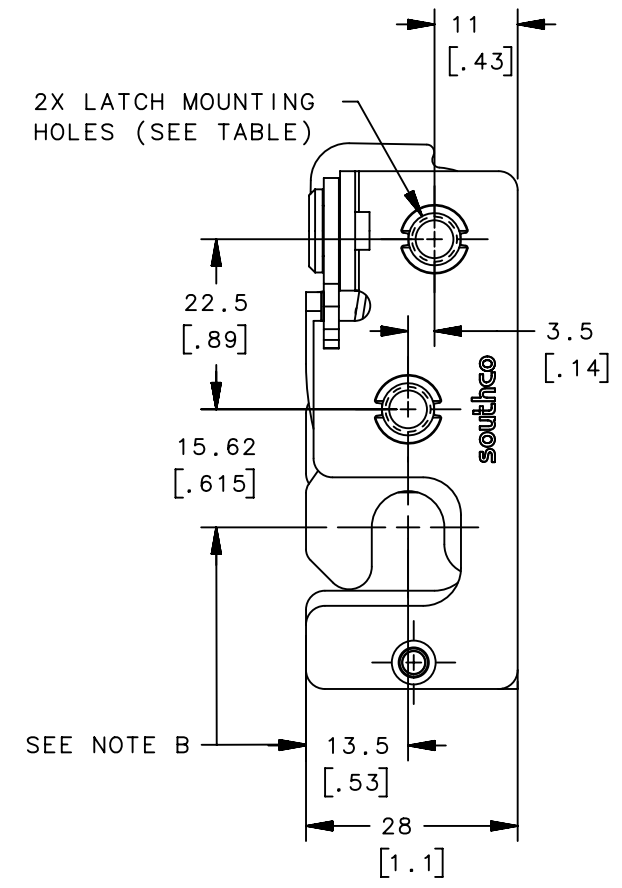
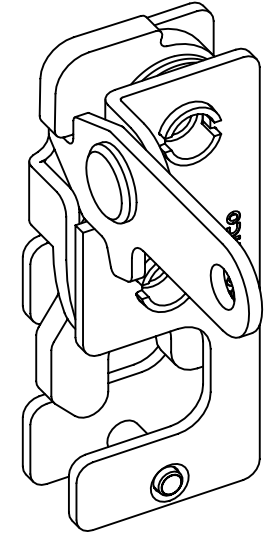
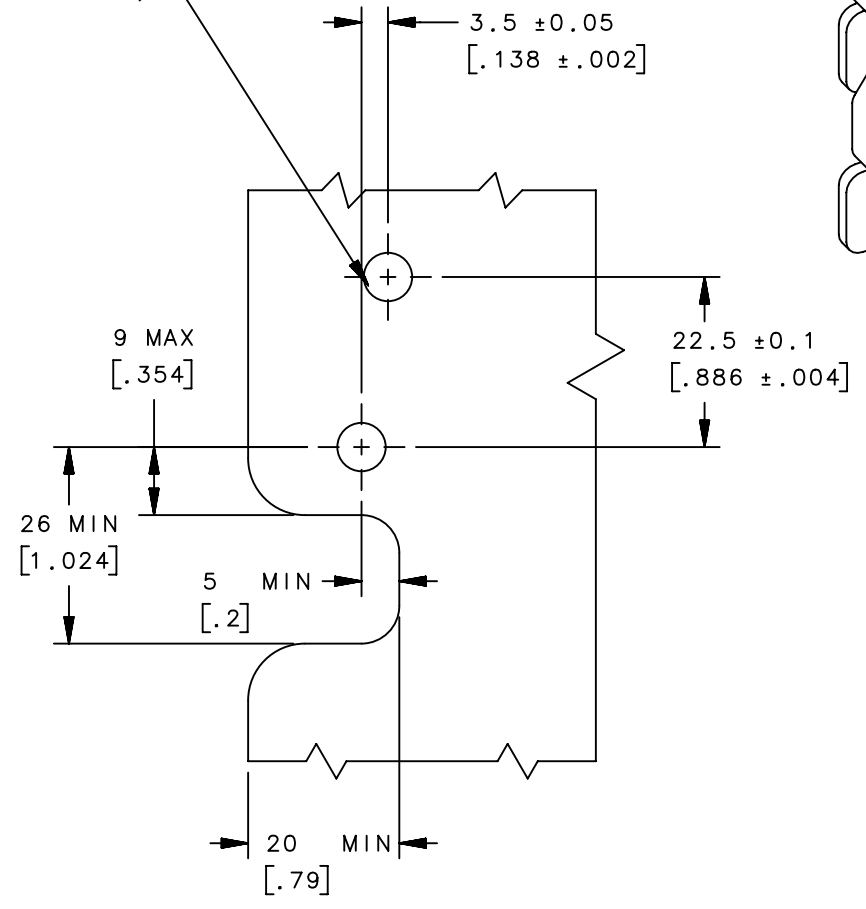
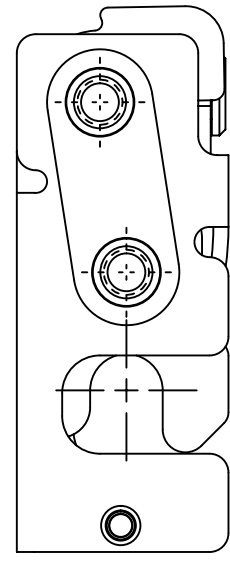


REVISION HISTORY			
REV	DATE	BY	DESCRIPTION
D	18NOV2020	CMS/CLB	PRN: P2020-2126



2X MINIMUM RECOMMENDED
PANEL HOLES (SEE TABLE)



NOTES:

A. MATERIAL AND FINISH:

- HOUSING, LEVER AND INTERNAL COMPONENTS:
MATERIAL - STEEL
-10 ZINC PLATED, BRIGHT CHROMATE
-77 ZINC NICKEL, BRIGHT CHROMATE
-15 ZINC NICKEL, BLACK

- PAWL AND TRIGGER:
MATERIAL - HARDENED STEEL
-10 ZINC PLATED, BRIGHT CHROMATE
-77 ZINC NICKEL, BRIGHT CHROMATE
-15 ZINC NICKEL, BLACK

- SPRING: STAINLESS STEEL, PASSIVATED

B. THESE DIMENSIONS REQUIRED FOR ±
MOUNTING STRIKER BOLT.

ASSEMBLY PART NUMBER	LATCH MOUNTING STYLE	MINIMUM PANEL HOLE
R4-10-10-101-15	Ø 7.2 THRU	Ø 7.2 [.299]
R4-10-11-101-15	1/2-20 THREAD	Ø 6.8 [.268]
R4-10-12-101-15	M6X1 THREAD	Ø 6.4 [.252]
R4-10-10-101-10	Ø 7.2 THRU	Ø 7.2 [.299]
R4-10-11-101-10	1/2-20 THREAD	Ø 6.8 [.268]
R4-10-12-101-10	M6X1 THREAD	Ø 6.4 [.252]
R4-10-10-101-77	Ø 7.2 THRU	Ø 7.2 [.299]
R4-10-11-101-77	1/2-20 THREAD	Ø 6.8 [.268]
R4-10-12-101-77	M6X1 THREAD	Ø 6.4 [.252]

PROPRIETARY ITEM
EXCEPT FOR USES EXPRESSLY GRANTED
IN WRITING, INFORMATION DISCLOSED
HEREON IS CONFIDENTIAL AND ALL
RIGHTS, PATENT AND OTHERWISE,
ARE RESERVED BY SOUTHCO, INC.

THIRD ANGLE PROJECTION	
MILLIMETERS [IN]	
TOLERANCES UNLESS OTHERWISE NOTED	
ALL DIMENSIONS WITHOUT TOLERANCES ARE FOR REFERENCE ONLY.	
PER ASME Y14.5M-1994	

southco[®]
CONNECT • CREATE • INNOVATE

DESCRIPTION
**R4 MINI ROTARY LATCH
PERPENDICULAR - RIGHT HAND**

SIZE B	SYSTEM NX	DWG NO. J-R4-10-10-101
DRAWN BY ACH/JCK	DATE 10NOV2010	SCALE 1:1
SHEET 1 OF 3		

6

5

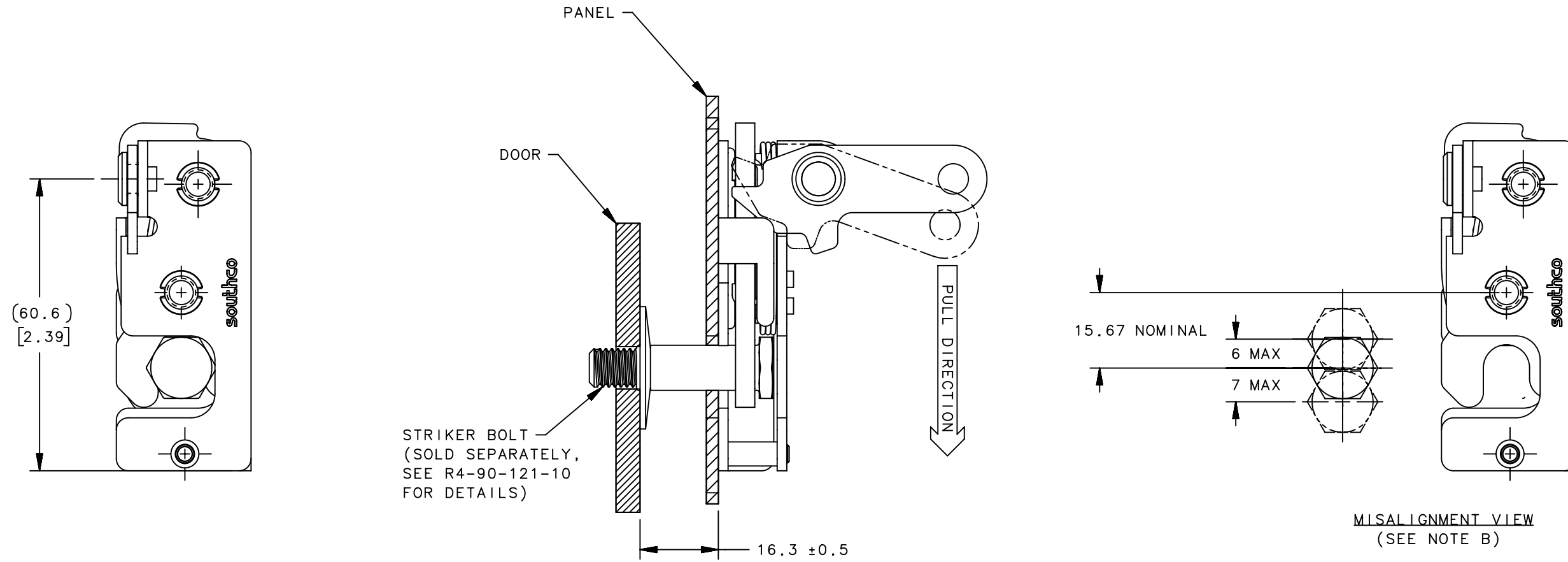
4

3

2

1

REVISION HISTORY			
REV	DATE	BY	DESCRIPTION
D	18NOV2020	CMS/CLB	PRN: P2020-2126



NOTES:

- A. THE TOLERANCE BETWEEN THE LATCH AND STRIKER BOLT ASSUMES A NON-RIGID DOOR INSTALLATION THAT WILL ALLOW THE DOOR TO MOVE INTO THE NOMINAL POSITION DURING LATCHING. RIGID DOORS MUST HAVE THE STRIKER INSTALLED PER THE PANEL PREPARATION RECOMMENDATION.
- B. THE MISALIGNMENT VIEW ASSUMES THE LATCH IS CONNECTED TO A PERFECTLY RIGID DOOR AND HINGE; THEREFORE, THERE IS NO DOOR AND/OR HINGE SLACK ASSOCIATED WITH THESE DIMENSIONS. THE MISALIGNMENT VIEW DOES NOT TAKE FLEXING OF THE STRIKER BOLT INTO ACCOUNT.

THIRD ANGLE PROJECTION				southco [®] CONNECT • CREATE • INNOVATE	
MILLIMETERS [IN]					
TOLERANCES UNLESS OTHERWISE NOTED		DESCRIPTION			
ALL DIMENSIONS WITHOUT TOLERANCES ARE FOR REFERENCE ONLY.		R4 MINI ROTARY LATCH PERPENDICULAR - RIGHT HAND			
PROPRIETARY ITEM <small>EXCEPT FOR USES EXPRESSLY GRANTED IN WRITING, INFORMATION DISCLOSED HEREON IS CONFIDENTIAL AND ALL RIGHTS, PATENT AND OTHERWISE, ARE RESERVED BY SOUTHCO, INC.</small>	PER ASME Y14.5M-1994	SIZE B	SYSTEM NX	DWG NO. J-R4-10-10-101	
		DRAWN BY ACH/JCK	DATE 10NOV2010	SCALE 1:1	SHEET 2 OF 3

6

5

4

3

2

1

6

5

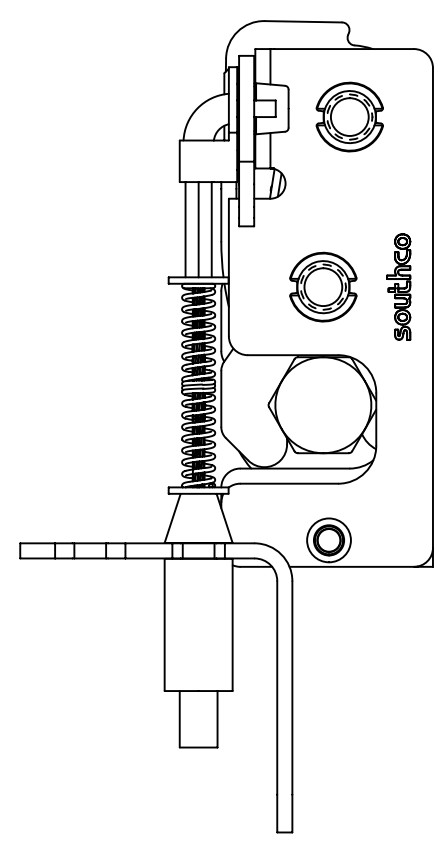
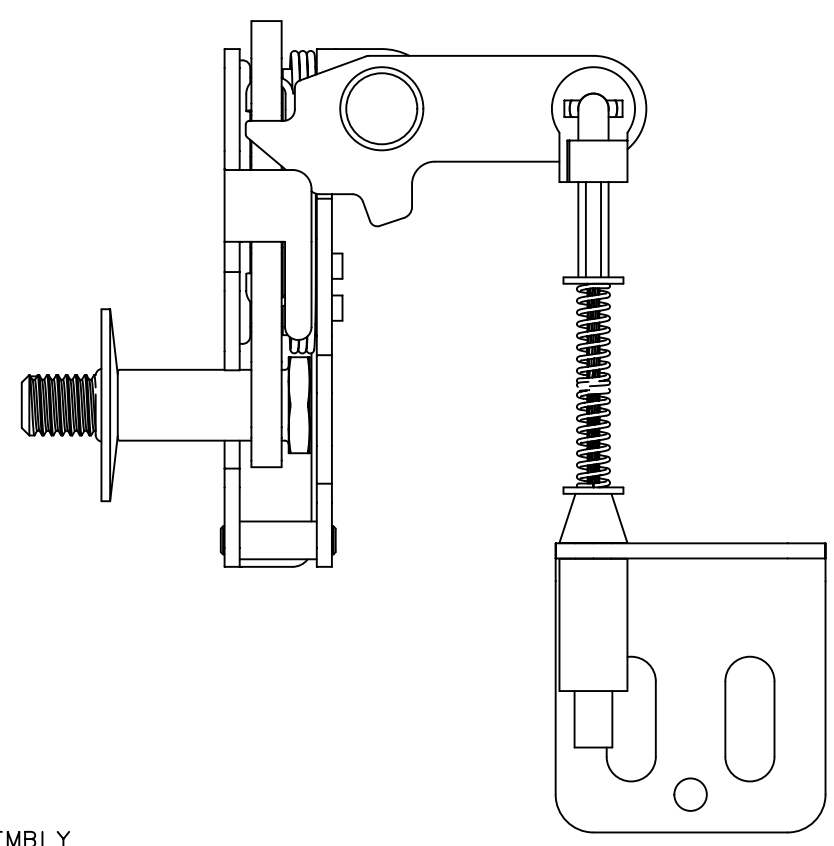
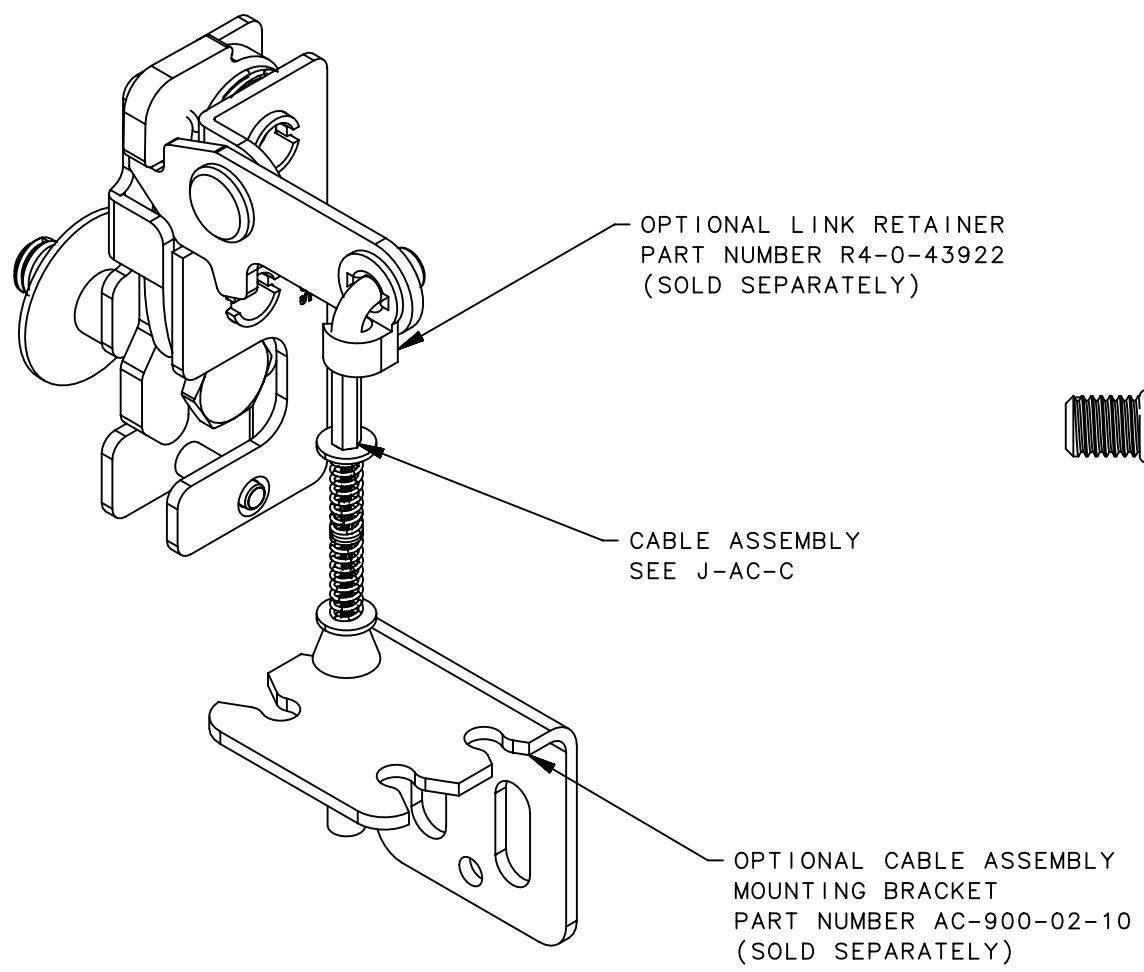
4

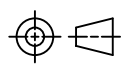
3

2

1

REVISION HISTORY			
REV	DATE	BY	DESCRIPTION
D	18NOV2020	CMS/CLB	PRN: P2020-2126



THIRD ANGLE PROJECTION 		southco [®] CONNECT • CREATE • INNOVATE	
MILLIMETERS [IN]			
TOLERANCES UNLESS OTHERWISE NOTED		DESCRIPTION R4 MINI ROTARY LATCH WITH PERPENDICULAR - RIGHT HAND	
ALL DIMENSIONS WITHOUT TOLERANCES ARE FOR REFERENCE ONLY.		SIZE B	SYSTEM NX
PROPRIETARY ITEM <small>EXCEPT FOR USES EXPRESSLY GRANTED IN WRITING, INFORMATION DISCLOSED HEREON IS CONFIDENTIAL AND ALL RIGHTS - PATENT AND OTHERWISE - ARE RESERVED BY SOUTHCO, INC.</small>		DWG NO. J-R4-10-10-101	DATE 07DEC2010
PER ASME Y14.5M-1994		DRAWN BY ACH/JCK	SCALE 1:1
		DATE 07DEC2010	SHEET 3 OF 3

6

5

4

3

2

1