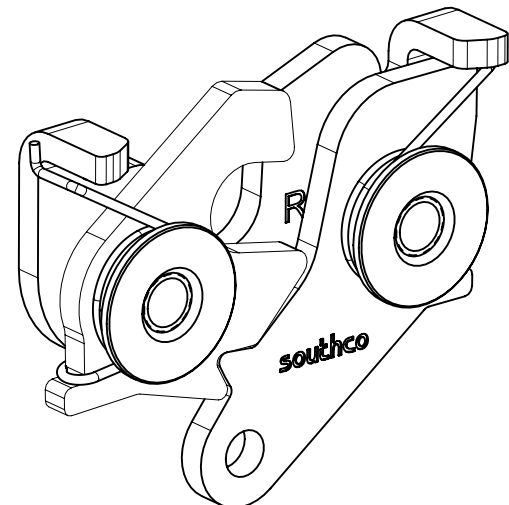


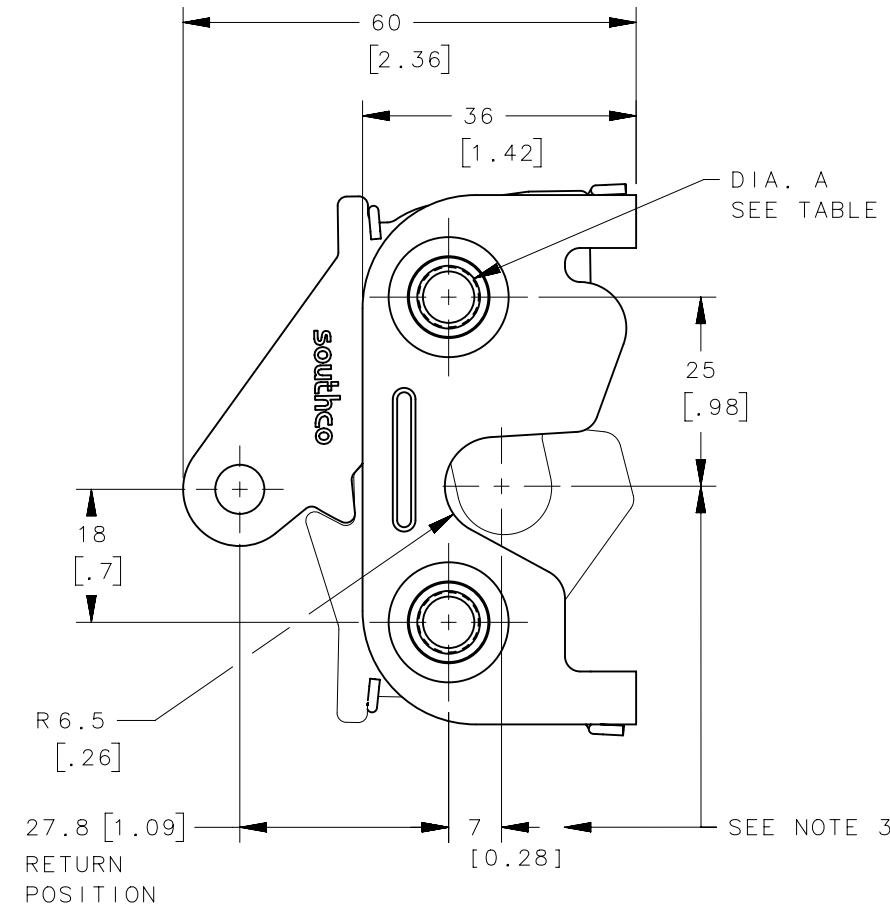
REVISION HISTORY			
REV	DATE	BY	DESCRIPTION
A	05JUN2018	VK/YGC	PRN: P2018-1377



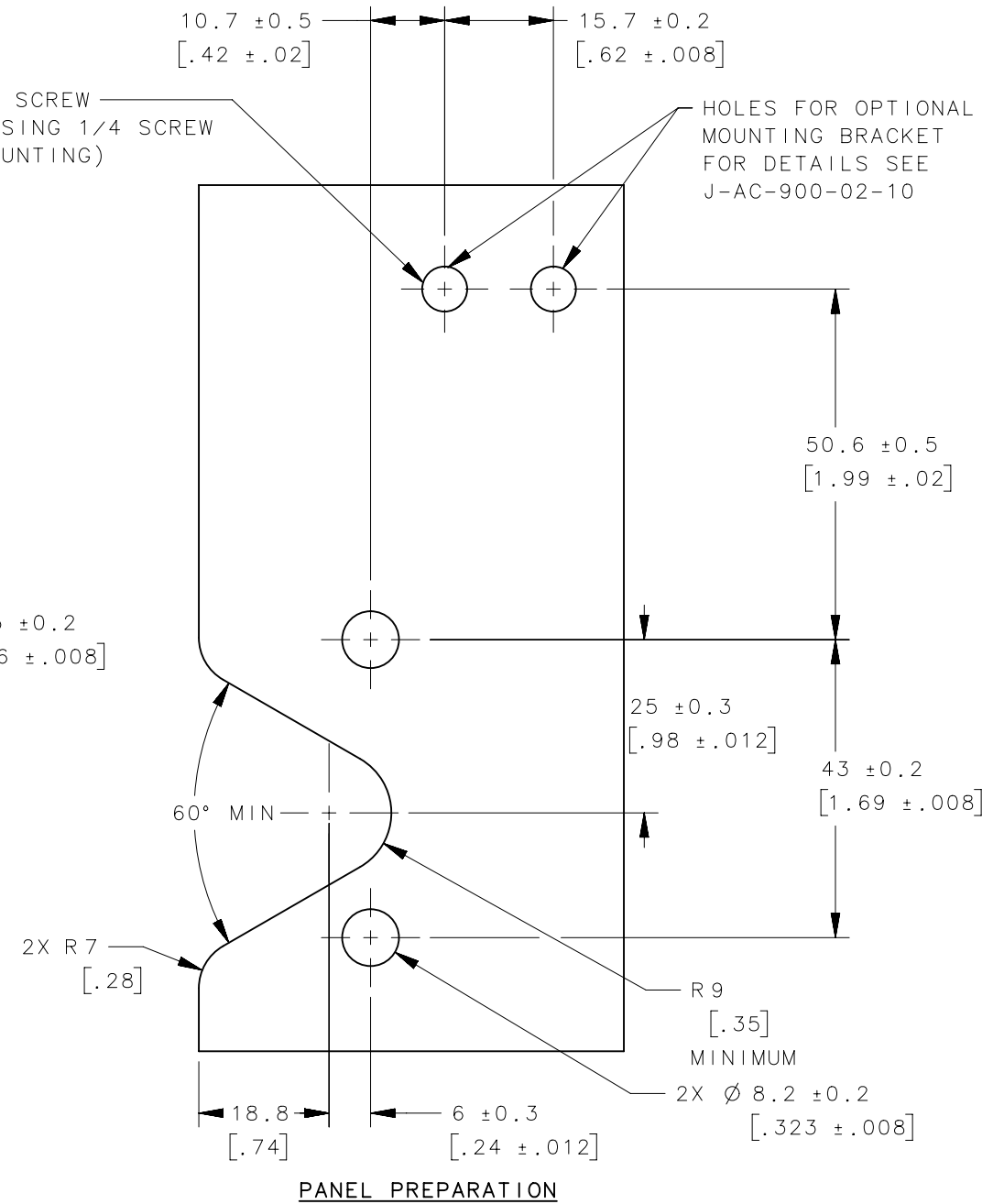
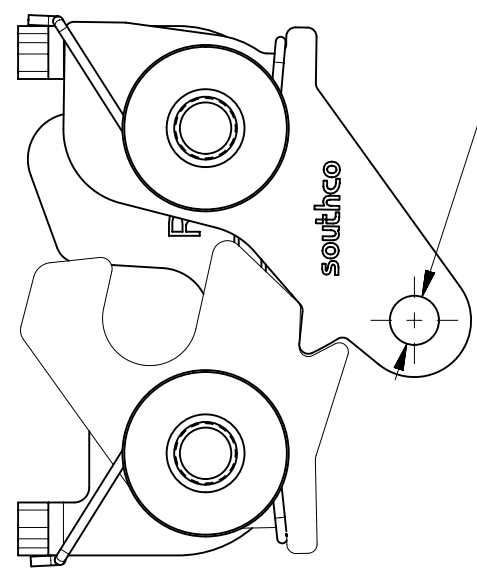
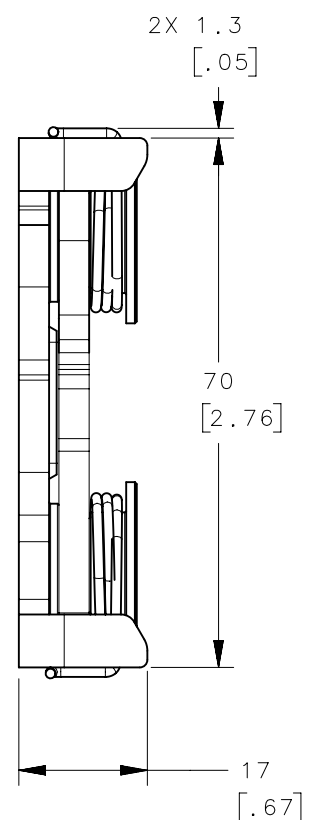
SCALE 1:1

2X Ø 6.5 IF USING M6 SCREW
 2X H-SIZE DRILL IF USING 1/4 SCREW
 (FOR THROUGH HOLE MOUNTING)

HOLES FOR OPTIONAL MOUNTING BRACKET FOR DETAILS SEE J-AC-900-02-10



DIA. A SEE TABLE



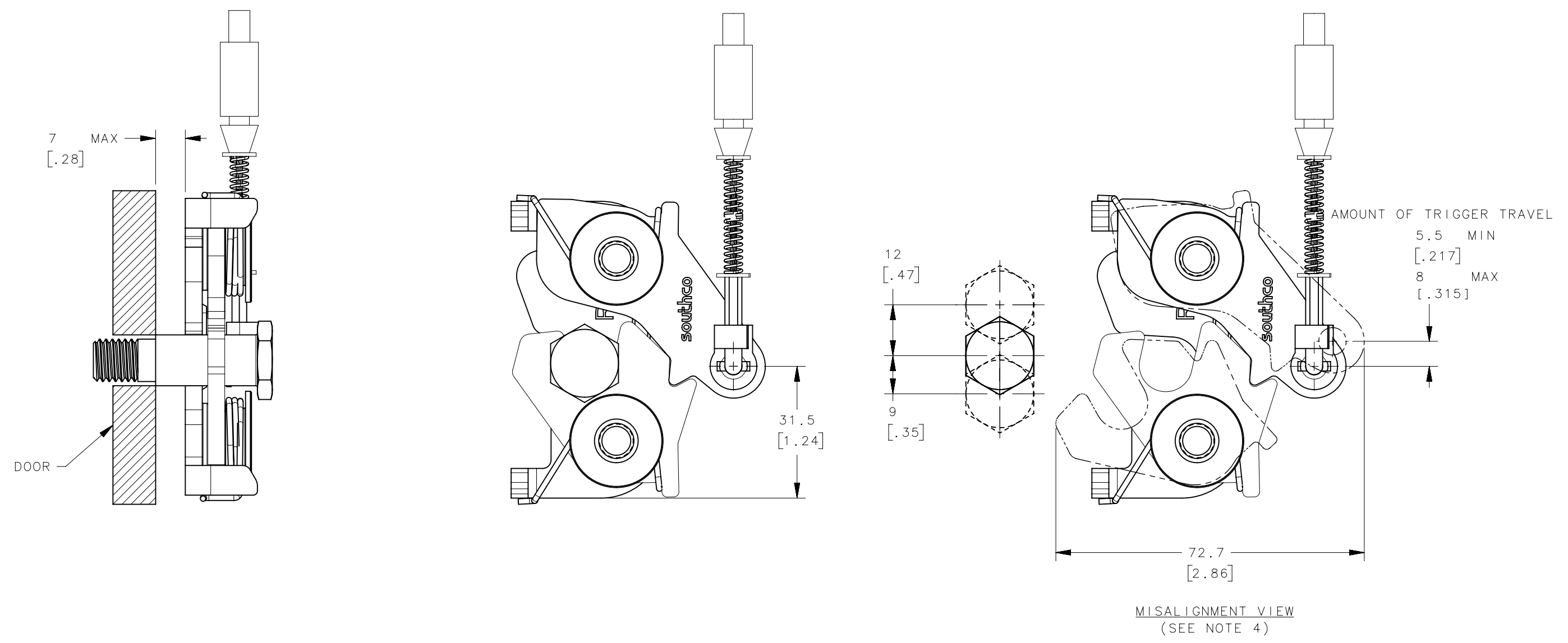
PANEL PREPARATION

- NOTES:
- MATERIAL AND FINISH:
HOUSING, PIN, PAWL, TRIGGER AND SPRING:
STAINLESS STEEL, PASSIVATED.
 - REFER TO TRADE DRAWING J-AC-C FOR CABLE SELECTION.
 - THESE DIMENSIONS REQUIRED FOR MOUNTING STRIKER BOLT.

R4-20-12-501-20	M8 THREAD ASSEMBLY	M8 X 1.25	SEE NOTE 1	SEE NOTE 1
R4-20-11-501-20	5/6-18 THREAD ASSEMBLY	5/16 - 18	SEE NOTE 1	SEE NOTE 1
R4-20-10-501-20	Ø 8.3 THRU ASSEMBLY	Ø 8.3 ± 0.12	SEE NOTE 1	SEE NOTE 1
PART NUMBER	DESCRIPTION	DIMENSION "A"	MATERIAL	FINISH

THIRD ANGLE PROJECTION		 CONNECT • CREATE • INNOVATE		
MILLIMETERS [IN]				
TOLERANCES UNLESS OTHERWISE NOTED		DESCRIPTION		
ALL DIMENSIONS WITHOUT TOLERANCES ARE FOR REFERENCE ONLY.		R4-20 SINGLE STAGE, RIGHT HAND STAINLESS STEEL		
PROPRIETARY ITEM		SIZE	SYSTEM	DWG NO.
EXCEPT FOR USES EXPRESSLY GRANTED IN WRITING, INFORMATION DISCLOSED HEREON IS CONFIDENTIAL AND ALL RIGHTS, PATENT AND OTHERWISE, ARE RESERVED BY SOUTHCO, INC.		A3	NX	J-R4-20-10-501-20
PER ASME Y14.5M-1994		DRAWN BY	DATE	SCALE
		VK	10MAY2018	1:1
				SHEET 1 OF 3

REVISION HISTORY			
REV	DATE	BY	DESCRIPTION
A	05JUN2018	VK/YGC	PRN: P2018-1377



NOTES:

4. THE TOLERANCE BETWEEN THE LATCH AND THE STRIKER BOLT ASSUMES A NON-RIGID DOOR INSTALLATION THAT WILL ALLOW THE DOOR TO MOVE INTO THE NOMINAL POSITION DURING LATCHING. RIGID DOORS MUST HAVE THE STRIKER INSTALLED PER THE PANEL PREPARATION RECOMMENDATION.

THIRD ANGLE PROJECTION				southco [®] CONNECT • CREATE • INNOVATE	
MILLIMETERS [IN]					
TOLERANCES UNLESS OTHERWISE NOTED		DESCRIPTION			
SURFACE AREA		R4-20 SINGLE STAGE, RIGHT HAND STAINLESS STEEL			
VOLUME		ALL DIMENSIONS WITHOUT TOLERANCES ARE FOR REFERENCE ONLY.		SIZE	SYSTEM
PROPRIETARY ITEM <small>EXCEPT FOR USES EXPRESSLY GRANTED IN WRITING, INFORMATION DISCLOSED HEREON IS CONFIDENTIAL AND ALL RIGHTS, PATENT AND OTHERWISE, ARE RESERVED BY SOUTHCO, INC.</small>		A3	NX	DWG NO.	J-R4-20-10-501-20
PER ASME Y14.5M-1994		DRAWN BY	DATE	SCALE	SHEET
		VK	10MAY2018	1:1	2 OF 3

REVISION HISTORY			
REV	DATE	BY	DESCRIPTION
A	05JUN2018	VK/YGC	PRN: P2018-1377

NOTE:

ASSEMBLY SHOWN WITH SOUTHCO CABLE FITTING "B" AND CABLE "3". SEE J-AC-C FOR DETAILS

STRIKER BOLT
PART NUMBER R4-91-2X1-20
(SOLD SEPARATELY,
SEE J-R4-91-200-20 FOR DETAILS)

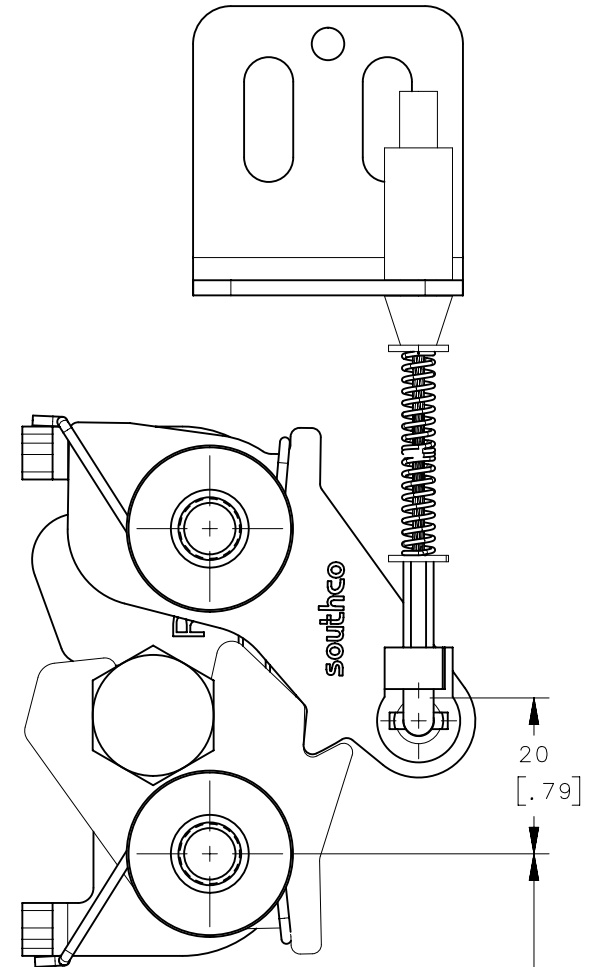
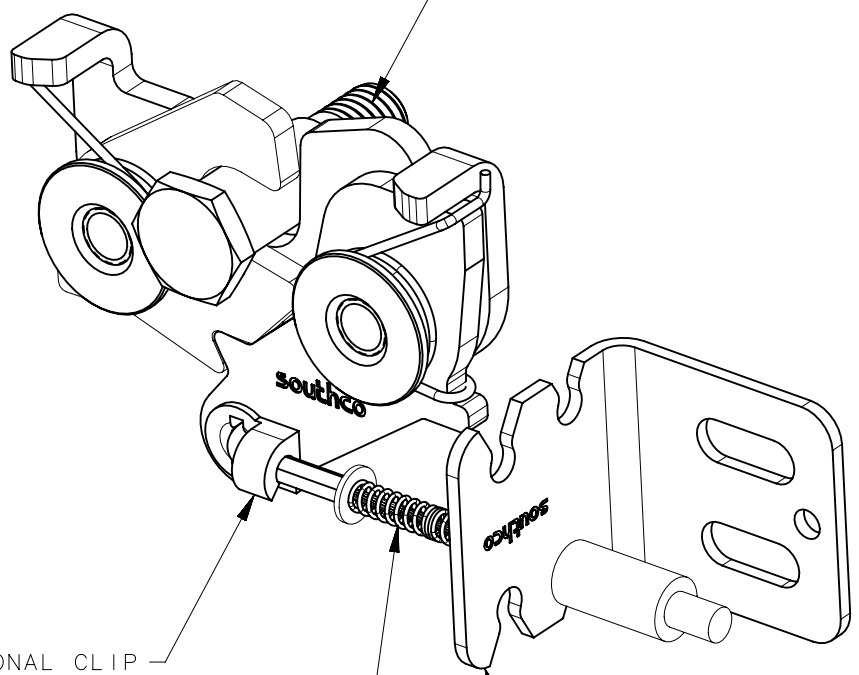
OPTIONAL CLIP
PART NUMBER R4-0-43922-1
(SOLD SEPARATELY,
SEE DRAWING J-R4-0-43922
FOR DETAILS)

OPTIONAL CABLE ASSEMBLY
SEE DRAWING J-AC-C FOR DETAILS
(SOLD SEPARATELY)

(CABLE SHOWN WITH
CABLE FITTING "B" IN
A CABLE ASSEMBLY "13")

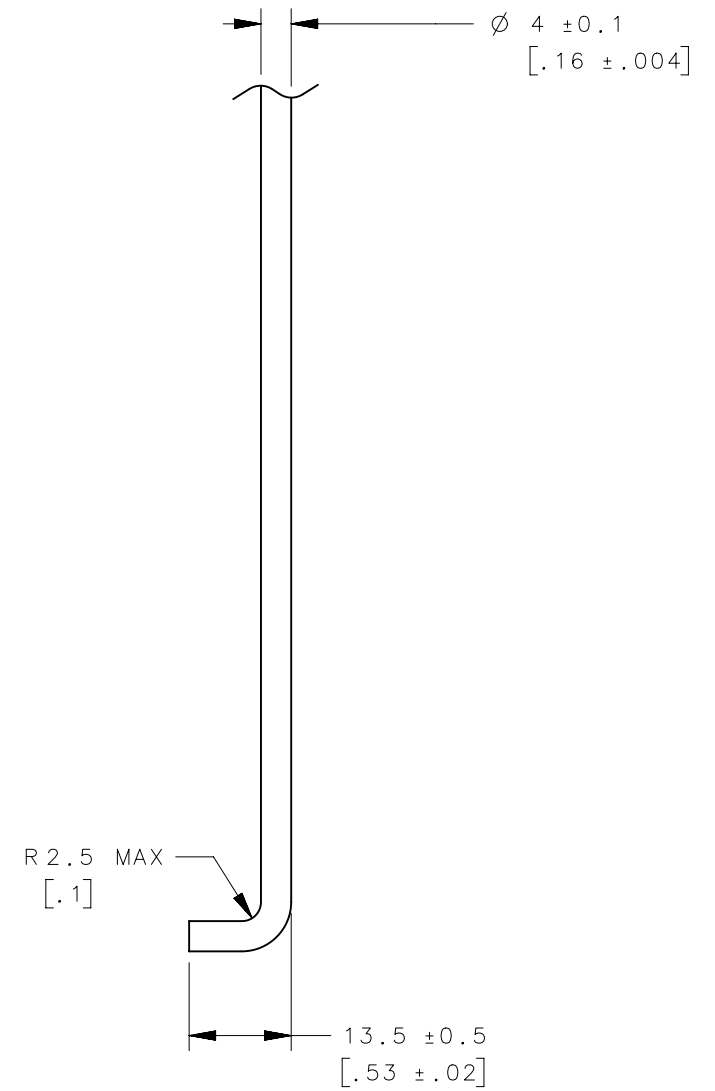
OPTIONAL CABLE ASSEMBLY
MOUNTING BRACKET
PART NUMBER AC-900-02-10
(SOLD SEPARATELY)

INSTALL USING 3 SCREWS
(2 MOUNTING, 1 SET)
(SCREWS NOT SUPPLIED)
SEE J-AC-900-02-10 FOR
DETAILS



MOUNTING HOLE TO CABLE OR ROD
BEARING POINT. USE TO DETERMINE THE
OVERALL CABLE LENGTH, SEE J-AC-C FOR
ADDITIONAL DETAILS

ROD OPTION



	THIRD ANGLE PROJECTION	 CONNECT • CREATE • INNOVATE		
	MILLIMETERS [IN]			
SURFACE AREA	TOLERANCES UNLESS OTHERWISE NOTED	DESCRIPTION R4-20 SINGLE STAGE, RIGHT HAND STAINLESS STEEL		
VOLUME	ALL DIMENSIONS WITHOUT TOLERANCES ARE FOR REFERENCE ONLY.	SIZE A3	SYSTEM NX	DWG NO. J-R4-20-10-501-20
PROPRIETARY ITEM <small>EXCEPT FOR USES EXPRESSLY GRANTED IN WRITING, INFORMATION DISCLOSED HEREON IS CONFIDENTIAL AND ALL RIGHTS, PATENT AND OTHERWISE, ARE RESERVED BY SOUTHCO, INC.</small>	PER ASME Y14.5M-1994	DRAWN BY VK	DATE 10MAY2018	SCALE 1:1
				SHEET 3 OF 3