

R4-30-1 I -50 B-M

REVISION HISTORY			
REV	DATE	BY	DESCRIPTION
E	30APR2021	ABK/VK	PRN: P2021-0855

I MOUNTING OPTION

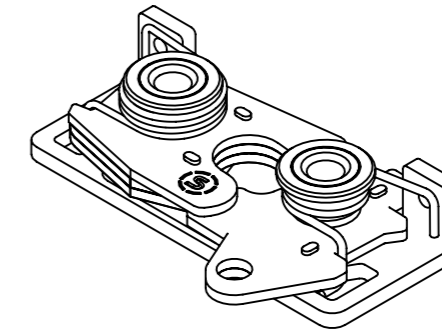
- 0 6.7 mm THRU HOLE
- 1 1/4-20 THREAD
- 2 M6 THREAD

B BASE STYLE

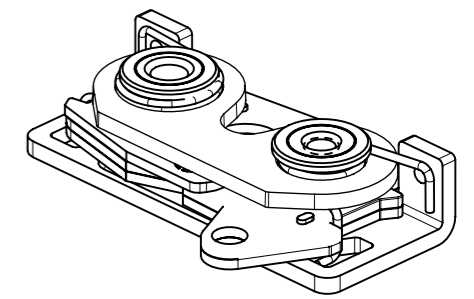
- 1 STANDARD
- 2 INTEGRATED CABLE BRACKET LONG (SEE SHEET 2)
- 3 INTEGRATED CABLE BRACKET SHORT (SEE SHEET 2)
- 5 INTEGRATED BUMPER
- 6 INTEGRATED BUMPER & CABLE BRACKET LONG (SEE SHEET 2)
- 7 INTEGRATED BUMPER & CABLE BRACKET SHORT (SEE SHEET 2)

M MATERIAL

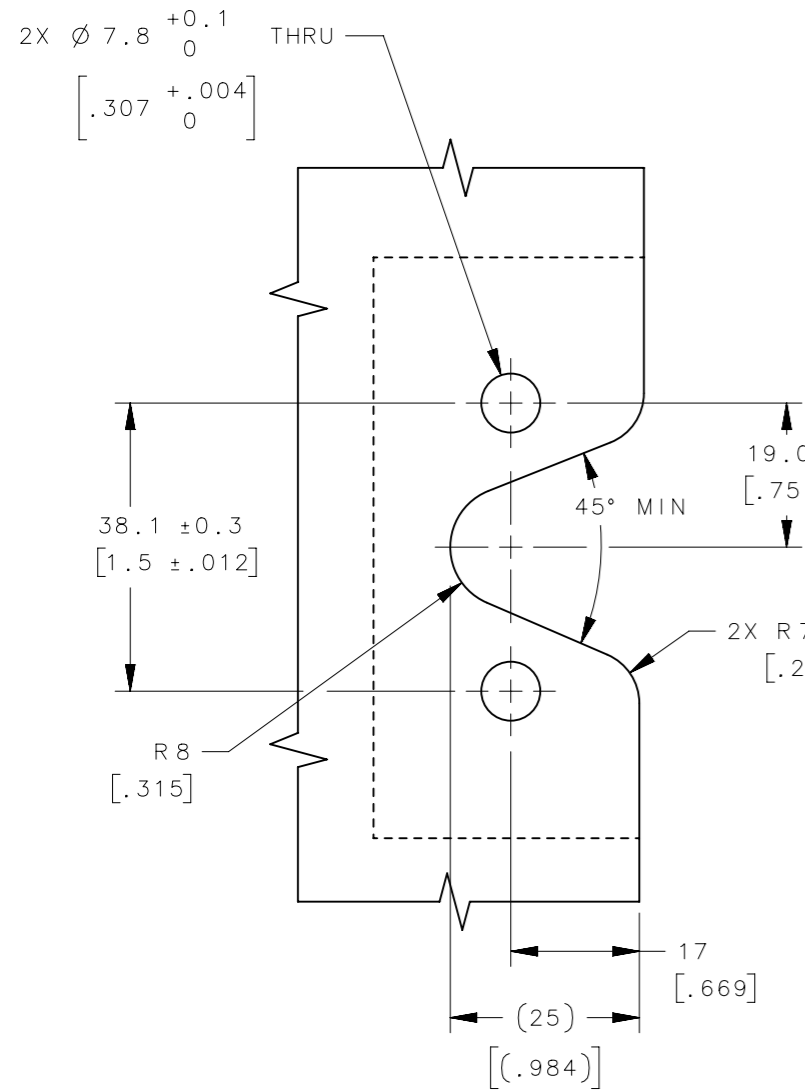
- 20 STAINLESS STEEL, PASSIVATED



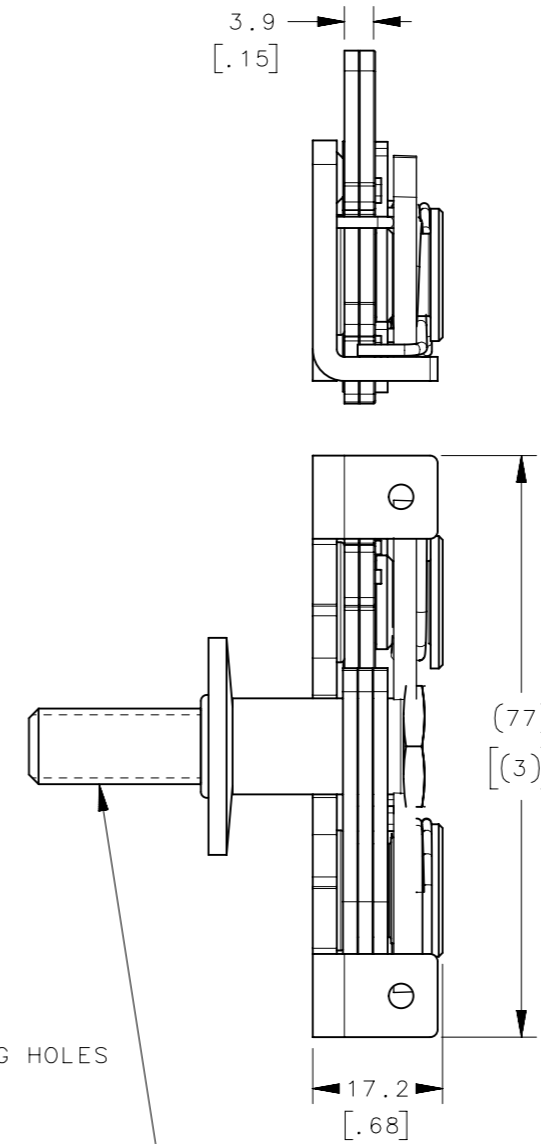
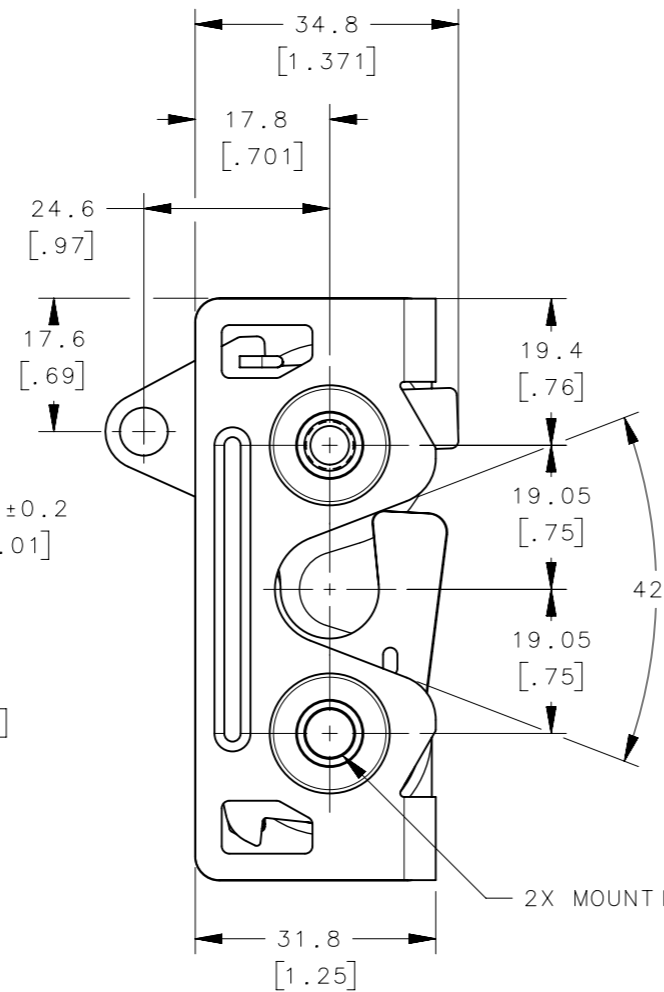
R4-30-1 I-501-20
(STANDARD)
SCALE 3:4



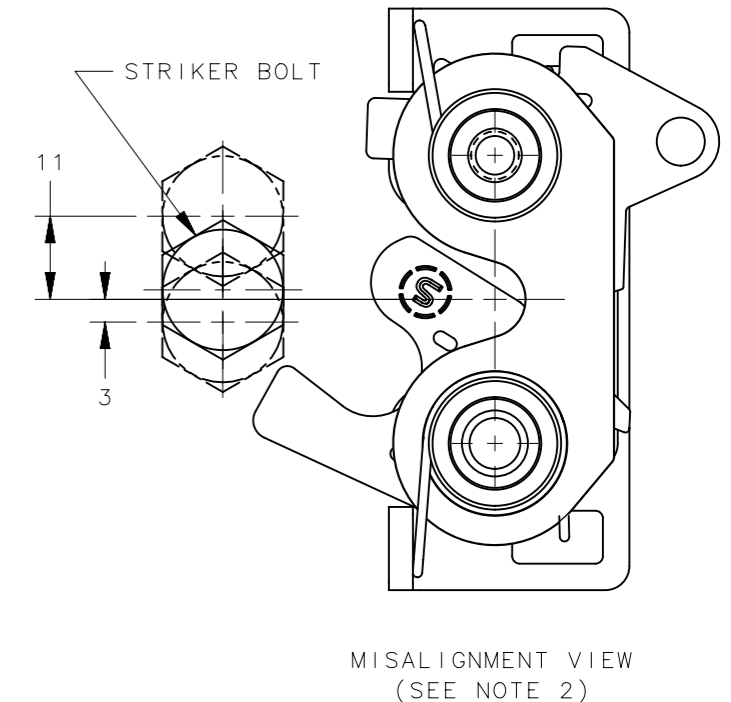
R4-30-1 I-505-20
(INTEGRATED BUMPER)
SCALE 3:4



PANEL PREPARATION



STRIKER BOLT ASSEMBLY
 (SOLD SEPARATELY)
 SEE J-R4-90-321
 FOR DETAILS



NOTES:

1. MATERIAL AND FINISH:
 - A. HOUSING, LEVER, BRACKET AND INTERNAL COMPONENTS: STAINLESS STEEL, PASSIVATED
 - B. PAWL AND TRIGGER: STAINLESS STEEL, PASSIVATED
 - C. SPRINGS: STAINLESS STEEL, PASSIVATED
2. THE MISALIGNMENT VIEW ASSUMES THE LATCH IS CONNECTED TO A PERFECTLY RIGID DOOR AND HINGE; THEREFORE, THERE IS NO DOOR AND/OR HINGE SLACK ASSOCIATED WITH THESE DIMENSIONS. THE MISALIGNMENT VIEW DOES NOT TAKE FLEXING OF THE STRIKER BOLT INTO ACCOUNT.
3. SAME AS R4-30-3X-501-20 EXCEPT SINGLE STAGE.
4. RECOMMENDED MOUNTING TORQUE IS 13.56 Nm (120 inch lbs)

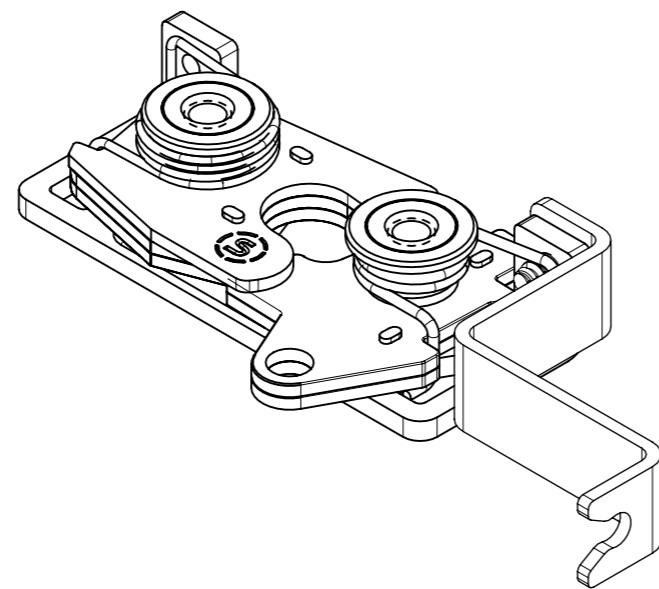
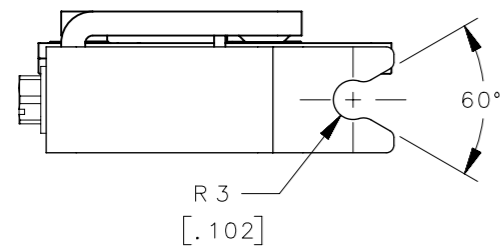
THIRD ANGLE PROJECTION				
MILLIMETERS [IN]	DESCRIPTION			R4 LATCH ASSEMBLY-BOTTOM PULLBACK RH, SS, SINGLE STAGE
TOLERANCES UNLESS OTHERWISE NOTED	SIZE	SYSTEM	DWG NO.	
ALL DIMENSIONS WITHOUT TOLERANCES ARE FOR REFERENCE ONLY	A3	NX	J-R4-30-10-501-20	
PER ASME Y14.5M-1994	DRAWN BY	DATE	SCALE	SHEET
	RKS/VK	11DEC2019	1:1	1 OF 2

PROPRIETARY ITEM
 EXCEPT FOR USES EXPRESSLY GRANTED
 IN WRITING, INFORMATION DISCLOSED
 HEREON IS CONFIDENTIAL AND ALL
 RIGHTS, PATENT AND OTHERWISE,
 ARE RESERVED BY SOUTHCO, INC.

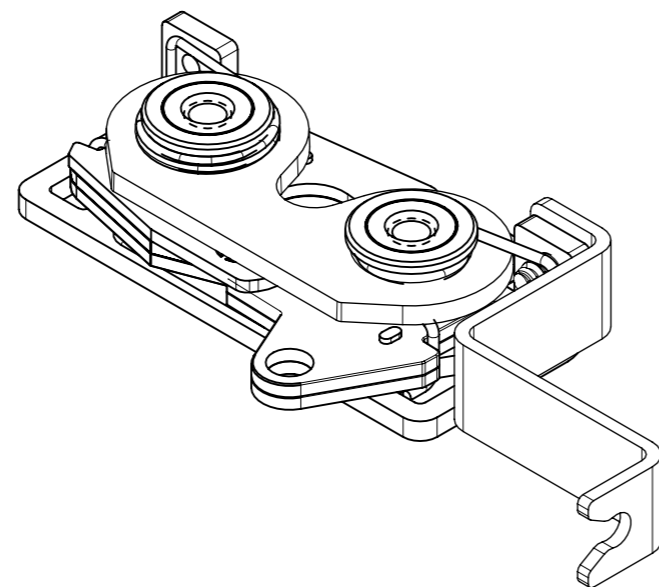
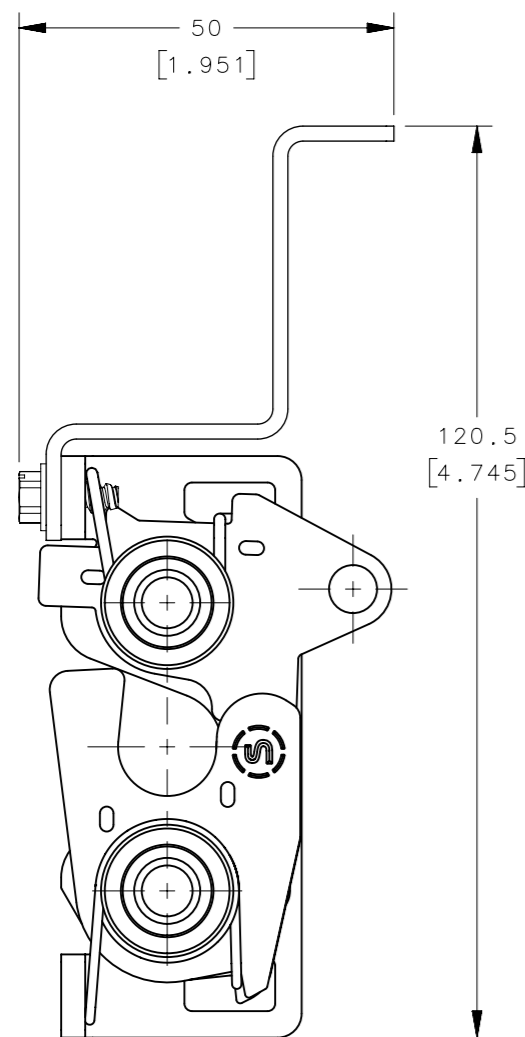
REVISION HISTORY			
REV	DATE	BY	DESCRIPTION
E	30APR2021	ABK/VK	PRN: P2021-0855

LONG BRACKET

TO MOUNT CABLE WITH SPRING ON ROTARY LATCH END



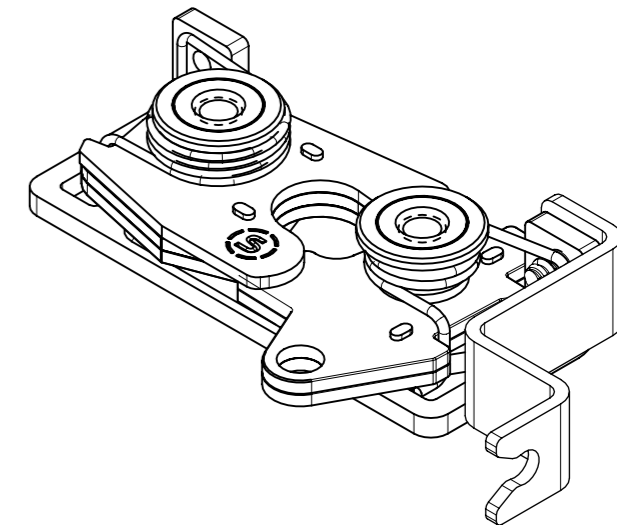
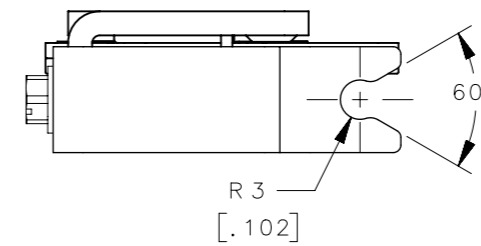
R4-30-11-502-20
(INTEGRATED LONG BRACKET)



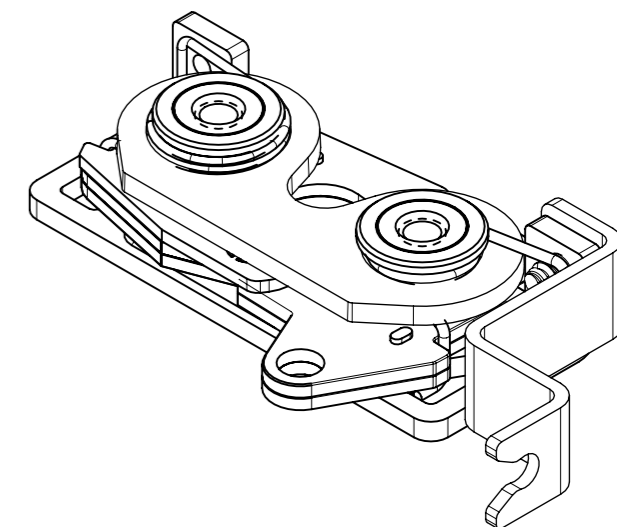
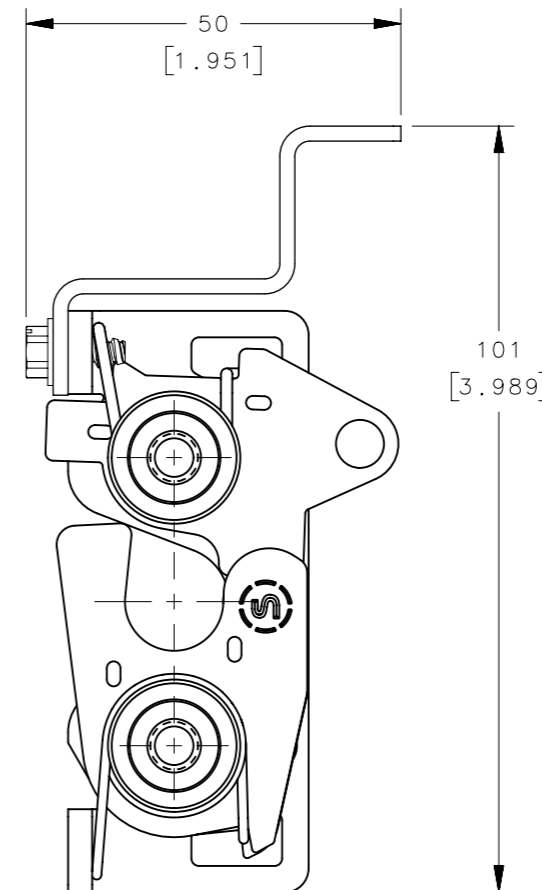
R4-30-11-506-20
(INTEGRATED LONG BRACKET & BUMPER)

SHORT BRACKET

TO MOUNT CABLE WITH NO SPRING ON ROTARY LATCH END



R4-30-11-503-20
(INTEGRATED SHORT BRACKET)



R4-30-11-507-20
(INTEGRATED LONG BRACKET & BUMPER)

CPB NUMBER	THIRD ANGLE PROJECTION			 CONNECT · CREATE · INNOVATE	
	MILLIMETERS [IN]				
SURFACE AREA	TOLERANCES UNLESS OTHERWISE NOTED		DESCRIPTION		
VOLUME	ALL DIMENSIONS WITHOUT TOLERANCES ARE FOR REFERENCE ONLY.		R4 LATCH ASSEMBLY-BOTTOM PULLBACK RH, SS, SINGLE STAGE		
PROPRIETARY ITEM	PER ASME Y14.5M-1994	SIZE A3	SYSTEM NX	DWG NO. J-R4-30-10-501-20	
EXCEPT FOR USES EXPRESSLY GRANTED IN WRITING, INFORMATION DISCLOSED HEREON IS CONFIDENTIAL AND ALL RIGHTS, PATENT AND OTHERWISE, ARE RESERVED BY SOUTHCO, INC.		DRAWN BY RKS/VK	DATE 11DEC2019	SCALE 1:1	SHEET 2 OF 2