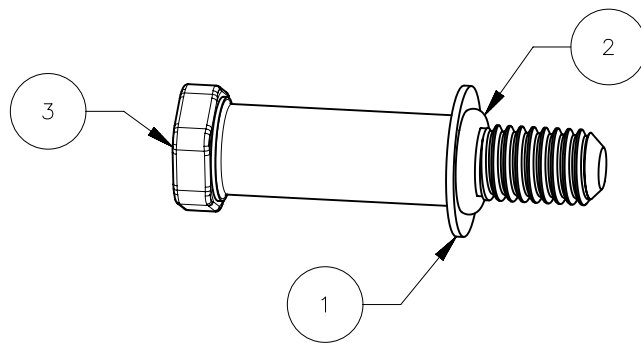
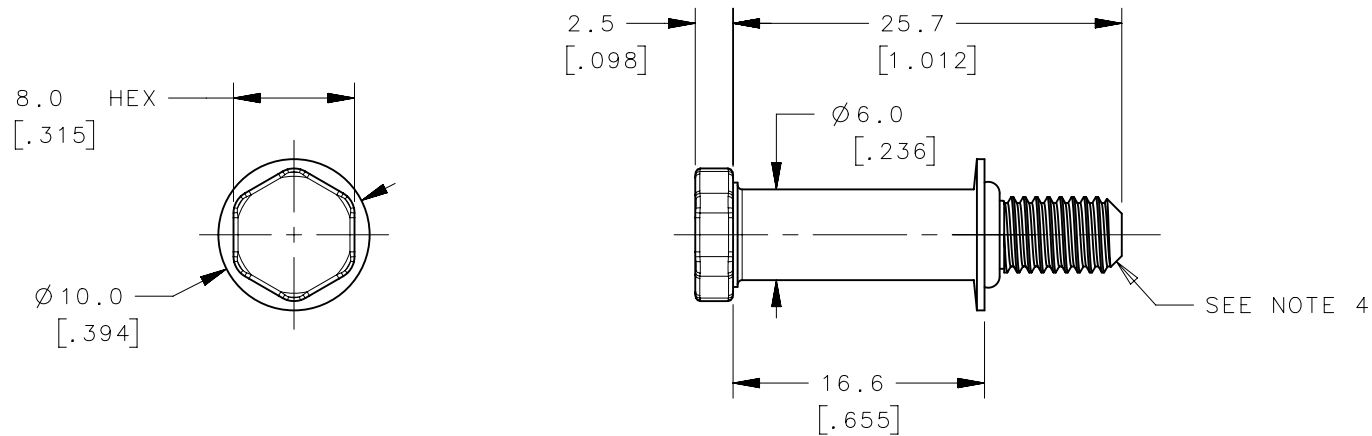


NOTES:

1. ALL COMPONENTS ARE RoHS COMPLIANT.
2. FOR USE WITH R4-05 SERIES LATCHES.
3. COSMETIC SPECIFICATION:  
ALL SURFACES, UNLESS OTHERWISE NOTED, ARE TO CONFORM TO A CLASS "C" DESIGNATION AS DESCRIBED IN SOUTHCO COSMETIC SPECIFICATION: S-121
4. THREAD OPTIONS:  
R4-90-0511-10 : 10-24 UNC THREAD  
R4-90-0521-10 : M5x0.8 THREAD
5. XX=10, MATERIAL=STEEL, FINISH=ZINC PLATED, BRIGHT CHROMATE.  
XX=20, MATERIAL=STAINLESS STEEL, FINISH=PASSIVATED.

REVISION HISTORY			
REV	DATE	BY	DESCRIPTION
B	08MAR2017	PG/YGC	PRN: P2017-0556



3	-	1	BOLT	SEE NOTE 5	SEE NOTE 5
2	-	1	O-RING	70 DUROMETER BUNA N	NATURAL
1	-	1	WASHER	STAINLESS STEEL	PASSIVATED
-	R4-90-0521-XX	-	STRIKER BOLT, M5 THREAD	-	-
3	-	1	BOLT	SEE NOTE 5	SEE NOTE 5
2	-	1	O-RING	70 DUROMETER BUNA N	NATURAL
1	-	1	WASHER	STAINLESS STEEL	PASSIVATED
-	R4-90-0511-XX	-	STRIKER BOLT, 10-24 UNC THREAD	-	-
NO.	PART NUMBER	QTY	TYPE OF COMPONENT	MATERIAL	FINISH

THIRD ANGLE PROJECTION				<b>southco</b> <sup>®</sup> CONNECT • CREATE • INNOVATE	
MILLIMETERS [IN]					
TOLERANCES UNLESS OTHERWISE NOTED		DESCRIPTION			
ALL DIMENSIONS WITHOUT TOLERANCES ARE FOR REFERENCE ONLY.		STRIKER BOLT ASSEMBLY, R4-05			
PROPRIETARY ITEM		SIZE	SYSTEM	DWG NO.	
EXCEPT FOR USES EXPRESSLY GRANTED IN WRITING, INFORMATION DISCLOSED HEREON IS CONFIDENTIAL AND ALL RIGHTS, PATENT AND OTHERWISE, ARE RESERVED BY SOUTHCO, INC.		A4	NX	J-R4-90-05	
PER ASME Y14.5M-1994		DRAWN BY	DATE	SCALE	SHEET
		JEM/CMS	19DEC2016	2:1	1 OF 1