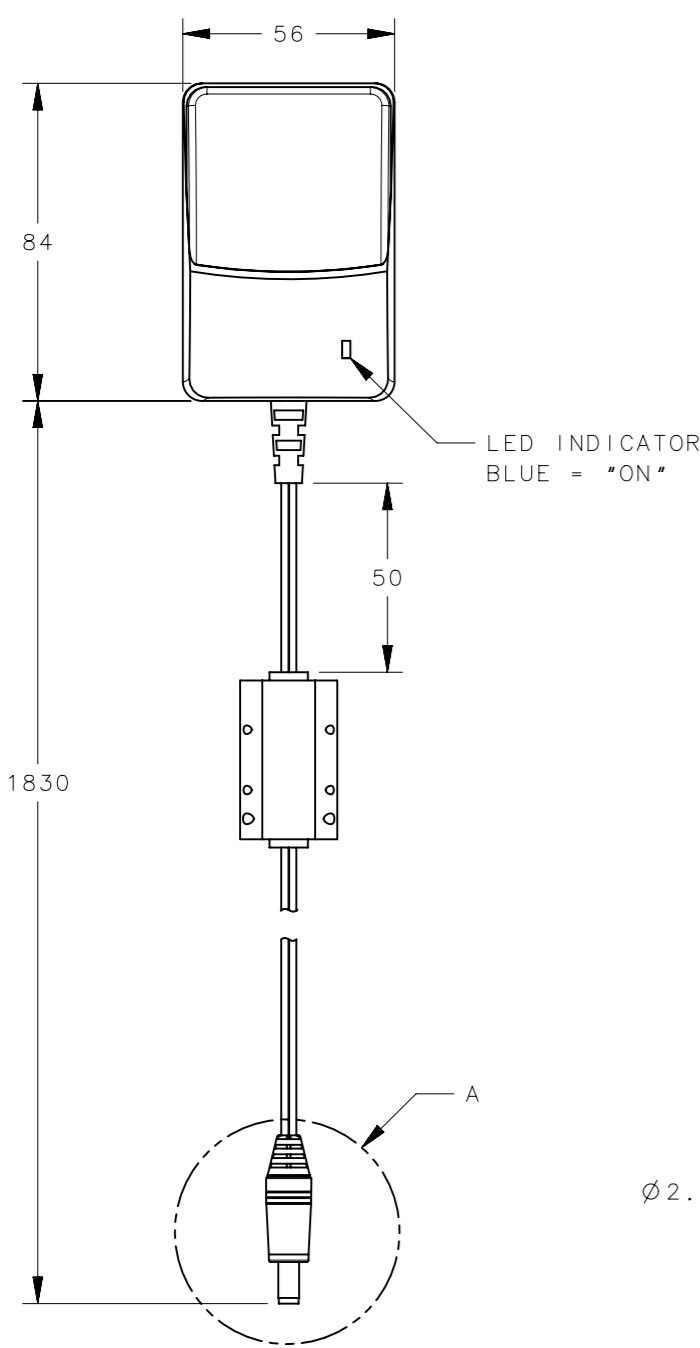
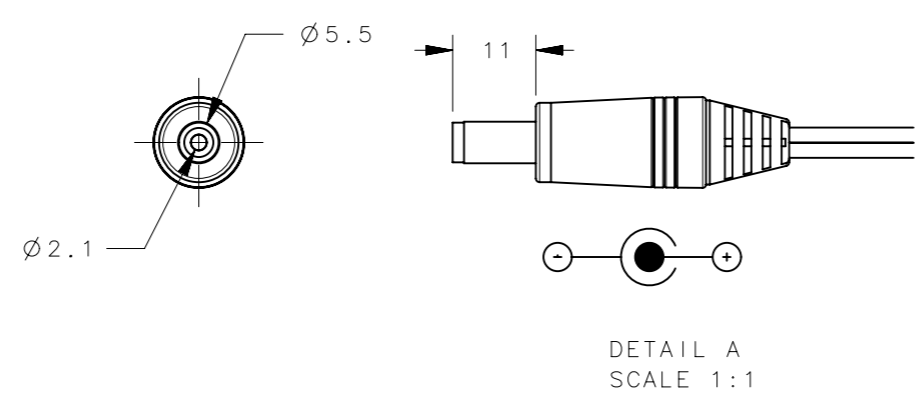


REVISION HISTORY			
REV	DATE	BY	DESCRIPTION
C	26FEB2010	ACH/ACH	PRN: P2010-0581

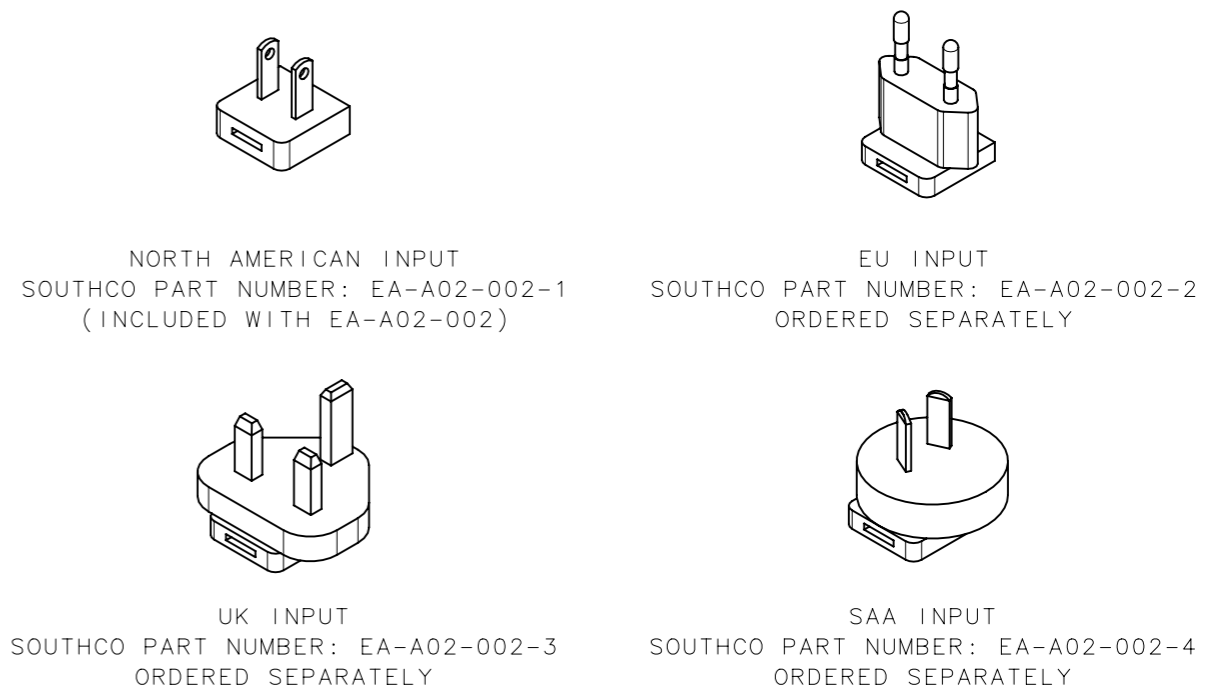


OUTPUT CONNECTOR



DETAIL A
SCALE 1:1

FOR USE WITH ADAPTERS:



NOTES:

- INPUT VOLTAGE: 100-240VAC
- INPUT CURRENT: LESS THAN 0.6 A RMS MAX
- INPUT FREQUENCY: 47-63 HZ
- OUTPUT VOLTAGE: 12VDC
- OUTPUT POWER (RATED): 25 WATTS MAX
- OUTPUT REGULATION (LINE/LOAD): +/- 5% OF NOMINAL OUTPUT VOLTAGE
- LINE REGULATION: +/- 1% MAX AT FULL LOAD
- INRUSH CURRENT: 30A MAX AT COLD START 120VAC, 60A MAX COLD START 230 VAC
- SWITCHING FREQUENCY: 66.5 KHZ TYPICAL
- LEAKAGE CURRENT: LESS THAN OR EQUAL TO 0.3 MILLAMPS AT 240 VAC
- OPERATING TEMPERATURE: 0°C TO 40°C
- STORAGE TEMPERATURE: -40°C TO 80°C
- HUMIDITY: 0% TO 90% RELATIVE HUMIDITY

NO.	SOUTHCO PART NUMBER	TC ITEM ID/REV	QTY	TYPE OF COMPONENT	MATERIAL	FINISH	GENERAL NOTES
				THIRD ANGLE PROJECTION			
				MILLIMETERS [IN]			
				TOLERANCES UNLESS OTHERWISE NOTED	DESCRIPTION 12VDC / 2.08A ITE POWER SUPPLY		
				ALL DIMENSIONS WITHOUT TOLERANCES ARE FOR REFERENCE ONLY.			
				PER ASME Y14.5M-1994	SIZE A3	SYSTEM NX	DWG NO. J-EA-A02-002
					DRAWN BY ACH/ACH	DATE 26FEB2010	SCALE .5:1 SHEET 1 OF 1