

8

7

6

5

4

3

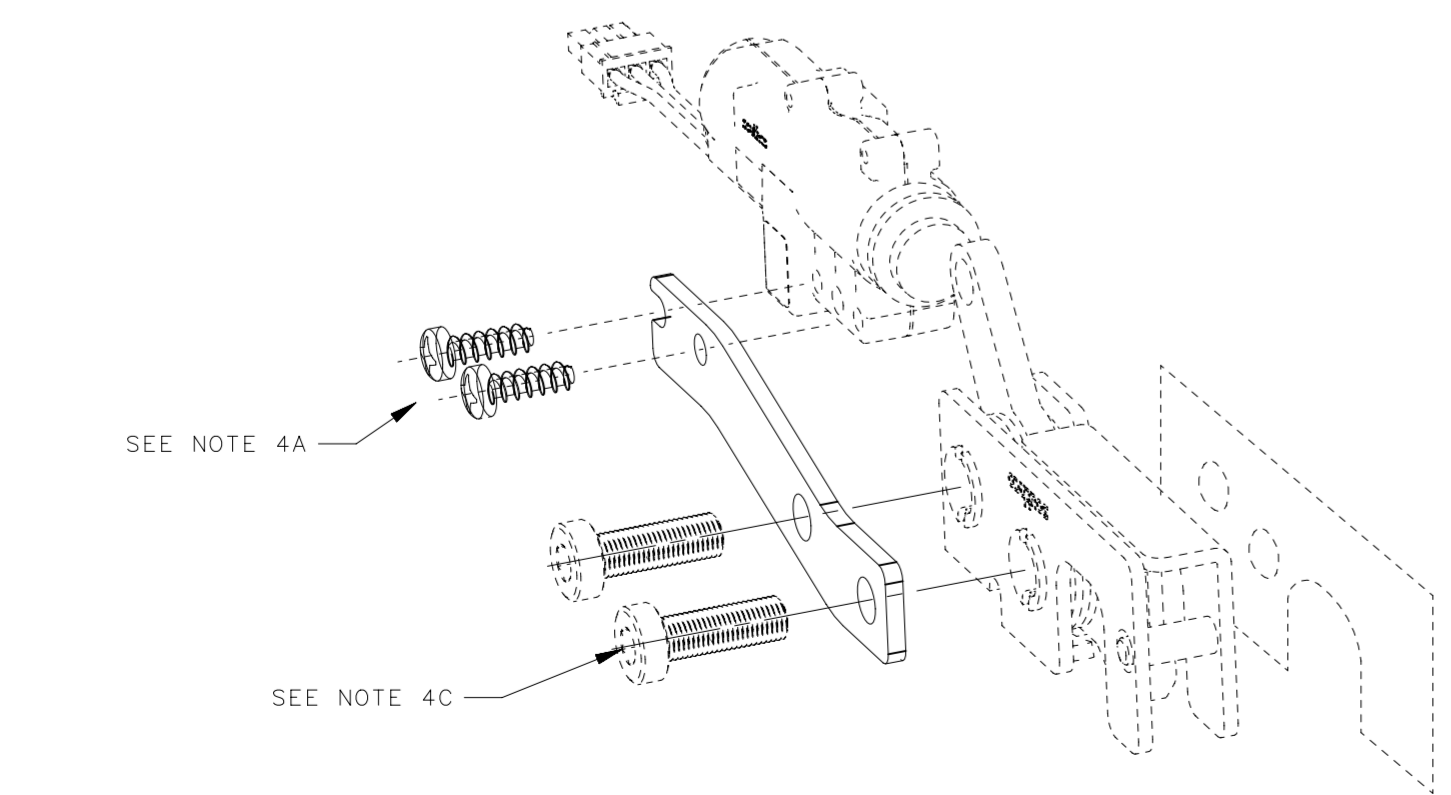
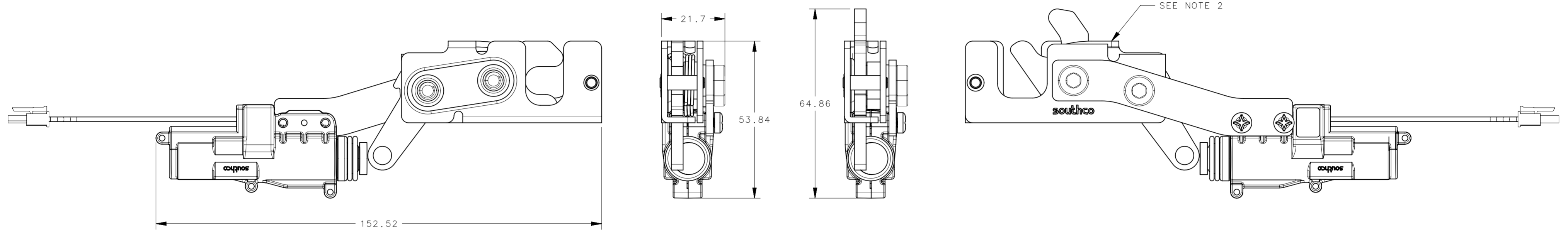
2

1

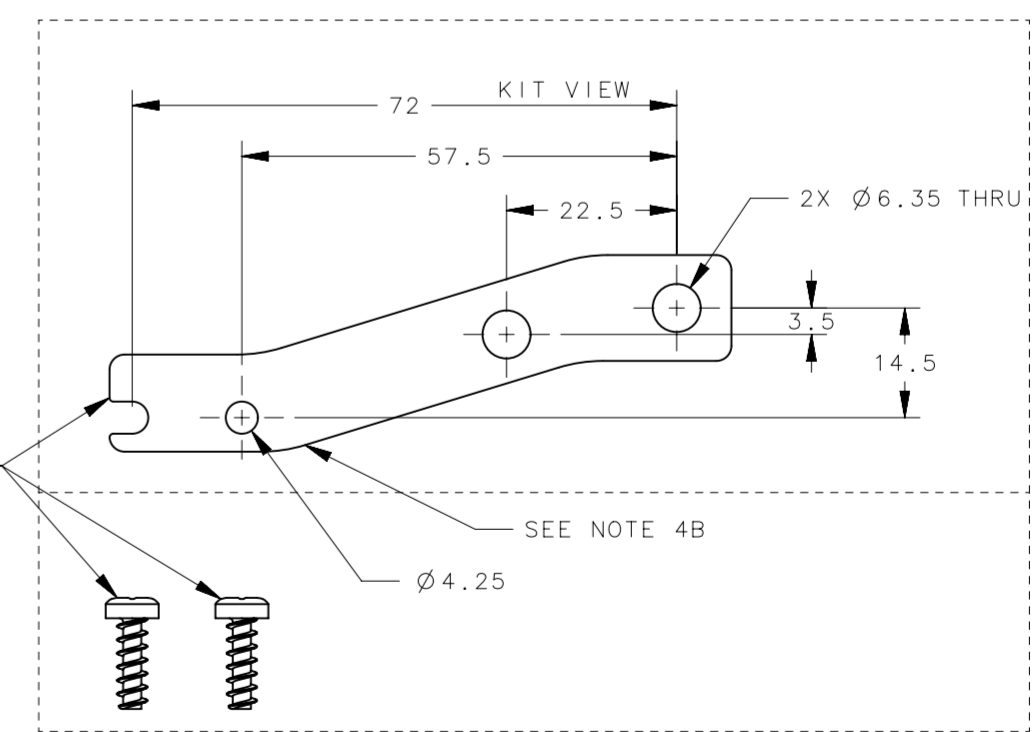
NOTES:

- 1. AC-EM-10 ACTUATOR NOT INCLUDED, SEE J-AC-EM-10-1.
- 2. R4-10 LATCH AND NECESSARY MOUNTING HARDWARE NOT INCLUDED.
COMPATIBLE R4-10 LATCHES INCLUDE:
R4-10-1X-501-XX
R4-10-2X-501-XX
- 3. MATERIALS AND FINISH:
- SCREWS: STEEL, ZINC PLATED, CLEAR CHROMATE.
- MOUNTING PLATE: STEEL, ZINC PLATED.
- 4. MOUNTING INSTRUCTIONS:
A. ATTACH BRACKET TO ACTUATOR USING SUPPLIED SCREWS (#2 PHILLIPS DRIVE).
- MAXIMUM ALLOWABLE INSTALL TORQUE 226 N-cm [20 in-lbs].
B. USE PANEL PREP SHOWN IN J-R4-10-10 FOR MOUNTING SURFACE.
C. INSERT LATCH MOUNTING HARDWARE (NOT PROVIDED, SEE J-R4-10-10) THROUGH BRACKET, LATCH, AND TIGHTEN TO MOUNTING SURFACE.
- MAXIMUM ALLOWABLE TORQUE ON MOUNTING SCREWS IS 550 N-cm [48 in-lbs].
D. THE DOOR MUST BE FREE TO OPEN WHEN THE LATCH IS COMMANDED TO OPEN OR THE LATCH WILL REMAIN CLOSED.

REVISION HISTORY			
REV	DATE	BY	DESCRIPTION
C	17SEP2018	CMS/CTG	PRN: P2018-2157



COMPONENTS INCLUDED IN KIT.
ALL OTHER COMPONENTS SHOWN
PURCHASED SEPARATELY.



PART NUMBER		AC-EM-059-1	
THIRD ANGLE PROJECTION		 CONNECT · CREATE · INNOVATE	
MILLIMETERS [IN]			
SURFACE AREA		TOLERANCES UNLESS OTHERWISE NOTED	
VOLUME		DESCRIPTION	
PROPRIETARY ITEM		AC-EM-10 ACTUATOR, R4-10 MOUNTING KIT	
EXCEPT FOR USES EXPRESSLY GRANTED IN WRITING, INFORMATION DISCLOSED HEREON IS CONFIDENTIAL AND ALL RIGHTS, PATENT AND OTHERWISE, ARE RESERVED BY SOUTHCO, INC.		SIZE SYSTEM	DWG NO.
PER ASME Y14.5M-1994		A2 NX	J-AC-EM-059-1
		DRAWN BY	DATE
		DJG/KAM	11JUL2018
		SCALE	SHEET
		1:1	1 OF 1

8

7

6

5

4

3

2

1