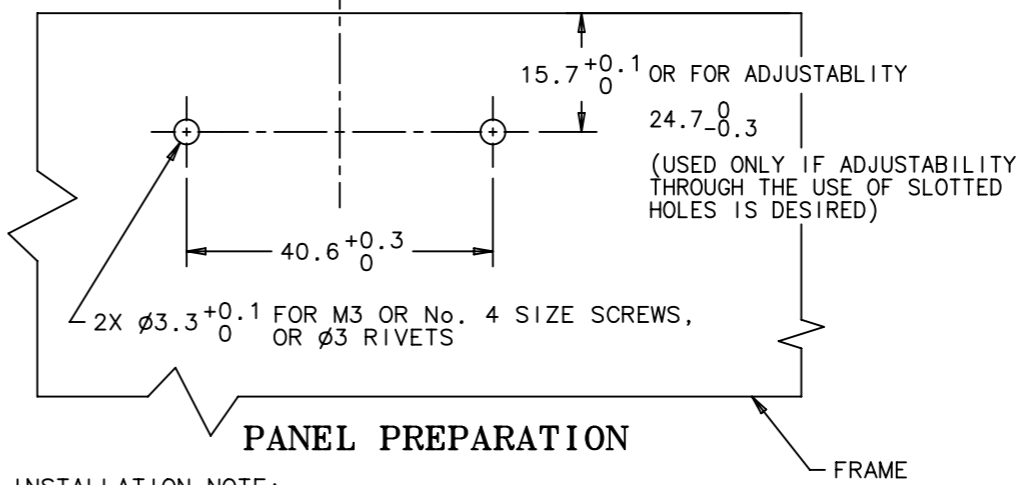
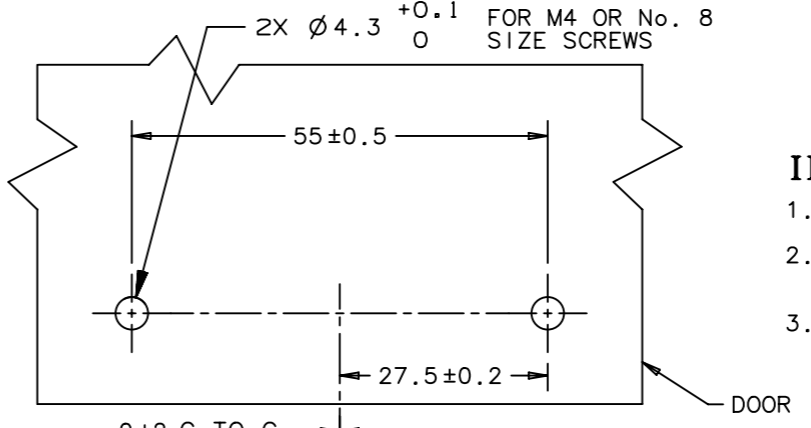
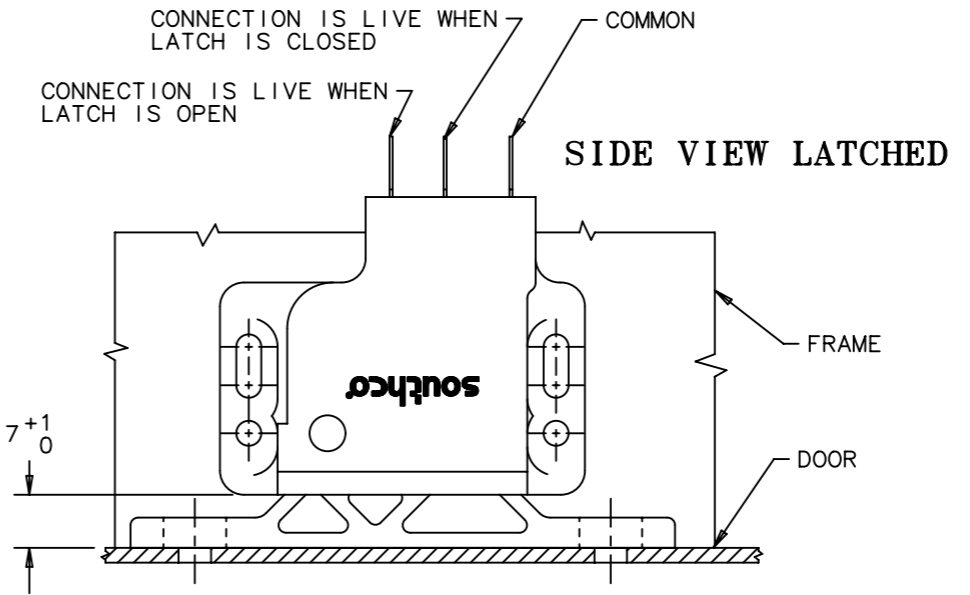
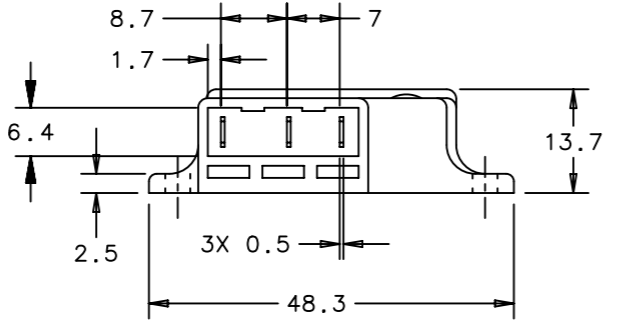
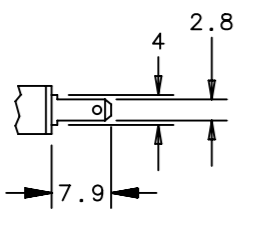
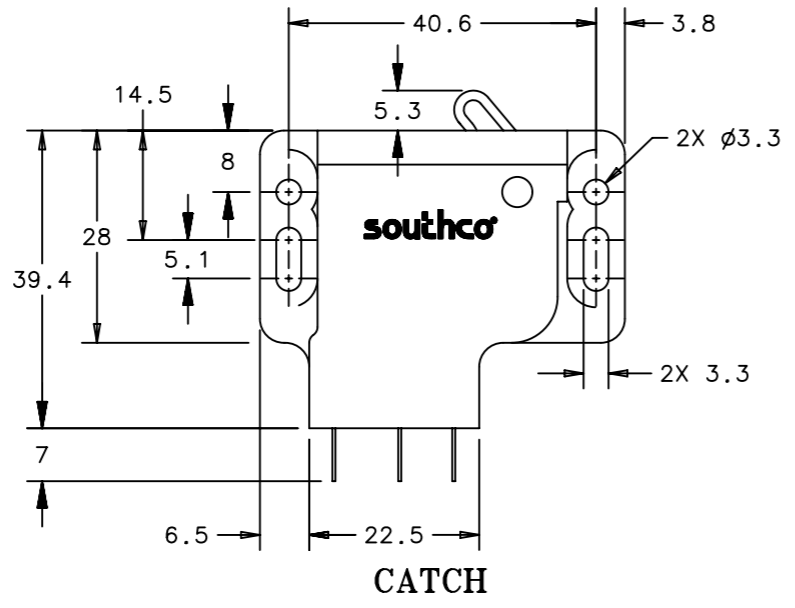
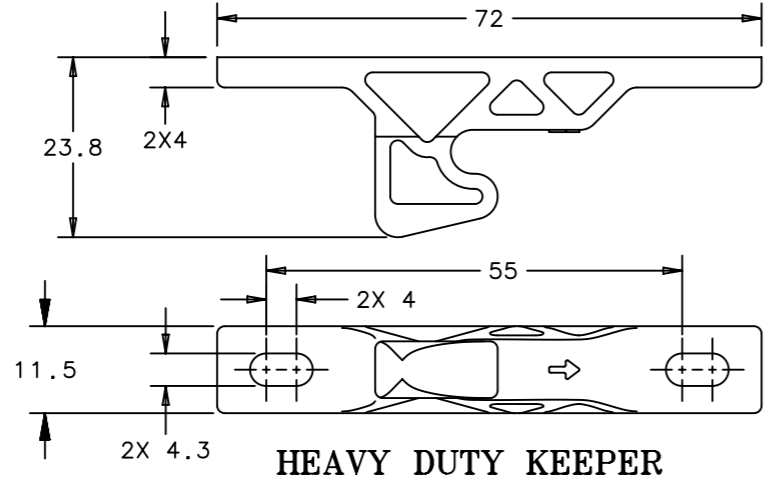
	PROPRIETARY ITEM - EXCEPT FOR USES EXPRESSLY PRINTED OR WRITING INFORMATION DISCLOSED HEREON, NO CONFIDENTIAL AND ALL RIGHTS PATENT AND OTHERWISE ARE RESERVED BY SOUTHCO, INC.	No. C3 SCREW MOUNT GRABBER CATCH WITH MICROSWITCH AND HEAVY DUTY KEEPER		DATE 24JUL95	DRAWN/CHKD MJC	SCALE 1:1	DRAWING NUMBER J-C3-18
	REV L M	DATE 02OCT2018 04AUG2020	DESCRIPTION CBI/DMS CMS/DKP	PART NUMBER C3-1803 C3-1805 C3-1810	PULL-UP FORCE 13N 22N 44N	MILLIMETERS	ALL DIMENSIONS WITHOUT TOLERANCES ARE FOR REFERENCE ONLY.

NOTES:

- A. MATERIAL AND FINISH:
 RIVET: 5056 ALUMINUM, NATURAL.
 SPRING: 302 STAINLESS STEEL (13N PASSIVATED, BLUE ORGANIC COATING; 22N PASSIVATED; 44N PASSIVATED, BLACK OXIDE).
 OTHER COMPONENTS: GLASS-REINFORCED NYLON(UL94-V0 RATED), BLACK.
- B.
1. PACKAGING: CATCH AND KEEPER SHIPPED SEPARATELY, BULK. FOR CATCH AND KEEPER PACKAGED ONE PER BAG, ADD -P TO THE END OF THE PART NUMBER. (EXAMPLE: C3-1803-P).
 2. FOR PART NUMBERS WITH A "-PA". PACKAGE LATCH AND KEEPER PER S-34-9-G7. ONE UNIT PER APPROPRIATE SIZE WHITE BAG.
- C. TERMINAL COVER IS USED FOR PROTECTION DURING SHIPPING ONLY AND SHOULD BE REMOVED PRIOR TO INSTALLATION.
- D. USE STRAIN RELIEF ON WIRES
- E. THE FOLLOWING WARNING APPEARS ON THE PANEL MOUNTING SIDE OF THE CATCH:
 CAUTION: NOT DESIGNED FOR USE AS A SAFETY INTERLOCK.
- F. FOR LATCH WITH GOLD PLATED CONTACTS SEE DRAWING N-36023-J.



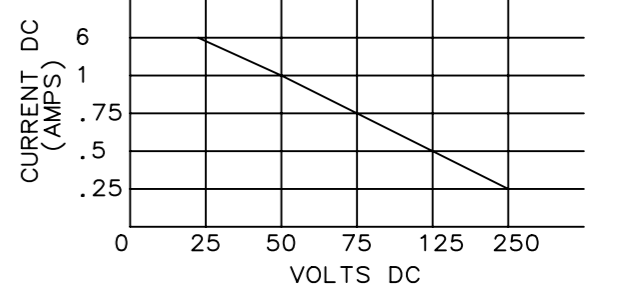
INSTALLATION NOTE:

DO NOT USE COUNTERSUNK SCREWS TO INSTALL CATCH OR KEEPER. USE ONLY RECOMMENDED SCREW SIZES. DO NOT OVERTIGHTEN SCREWS, RECOMMENDED SCREW TIGHTENING TORQUES ARE:

- 1.1 Nm (0.81 ft.lbs) FOR THE CATCH
- 2.8 Nm (2.0 ft.lbs) FOR THE KEEPER

SWITCH SPECIFICATION:

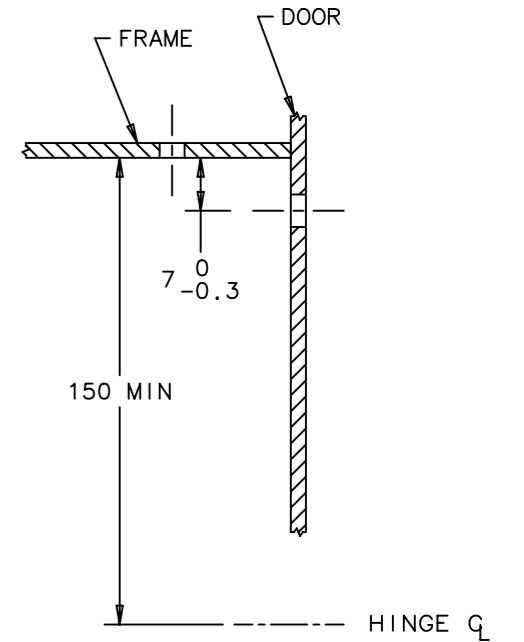
SUBMINIATURE, VDE, UL APPROVED. SWITCH IS FITTED WITH FAST-ON TERMINALS. SWITCH CONTACTS ARE SILVER AND SHOULD NOT BE USED TO SWITCH LOADS BELOW 10 mA. FOR LOADS AT THIS LEVEL GOLD CONTACTS ARE REQUIRED. GOLD CONTACTS AVAILABLE FROM SOUTHCO AS A MODIFICATION. MAX AC VOLTAGE 250V, MAX AC CURRENT 6A. SEE GRAPH BELOW FOR DC RESISTIVE LOAD.



WHEN SWITCHING INDUCTIVE LOADS OVER 50 VOLTS DC, THE SIZE OF THE INDUCTIVE LOAD MUST BE GREATLY REDUCED.

INSTALLATION INSTRUCTIONS:

1. MOUNT CATCH TO FRAME.
2. ORIENT KEEPER TO LATCH, THE ARROW ON THE KEEPER SHOULD POINT TOWARDS THE PAWL.
3. MOUNT TO DOOR AND ADJUST FOR SMOOTH LATCHING.



SAFETY NOTE:

THIS PRODUCT IS SPECIFICALLY DESIGNED TO BE USED AS A MECHANICAL GRABBER CATCH WITH AN ELECTRIC SWITCH. THE SWITCH IS DESIGNED TO OPERATE AN INDICATOR LIGHT OR FORM PART OF A NON-SAFETY RELATED LOGIC CIRCUIT.

THIS PRODUCT IS NOT DESIGNED FOR USE AS A SAFETY INTERLOCK.