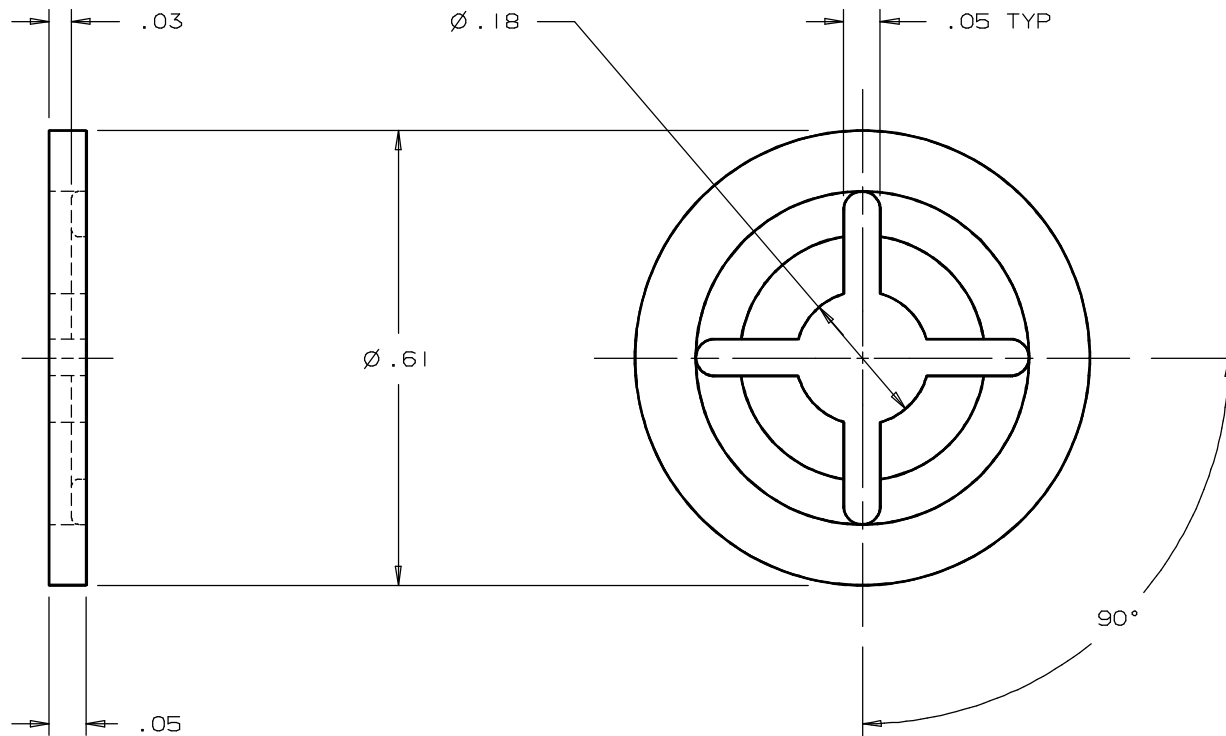




No. 12 PUSH-ON RETAINER

DATE	DRAWN	CHKD	SCALE	DRAWING NUMBER
12-6-84	RJB		4 : 1	J-12-11064-42

REV.	DATE	BY-CHKD	REVISIONS	PART No.	MATERIAL	FINISH			
A	12-2-86	JGK	.05 WAS SHOWN AS .054	12-11064-42	NYLON	BLACK			
B	12APR93	ALC	PRN: S-1-03						



PROPRIETARY ITEM - EXCEPT FOR USES EXPRESSLY GRANTED IN WRITING  
INFORMATION DISCLOSED HEREON IS CONFIDENTIAL AND ALL RIGHTS PATENT  
AND OTHERWISE ARE RESERVED BY SOUTHCO, INC.

DRAWING NUMBER  
J-12-11064-42