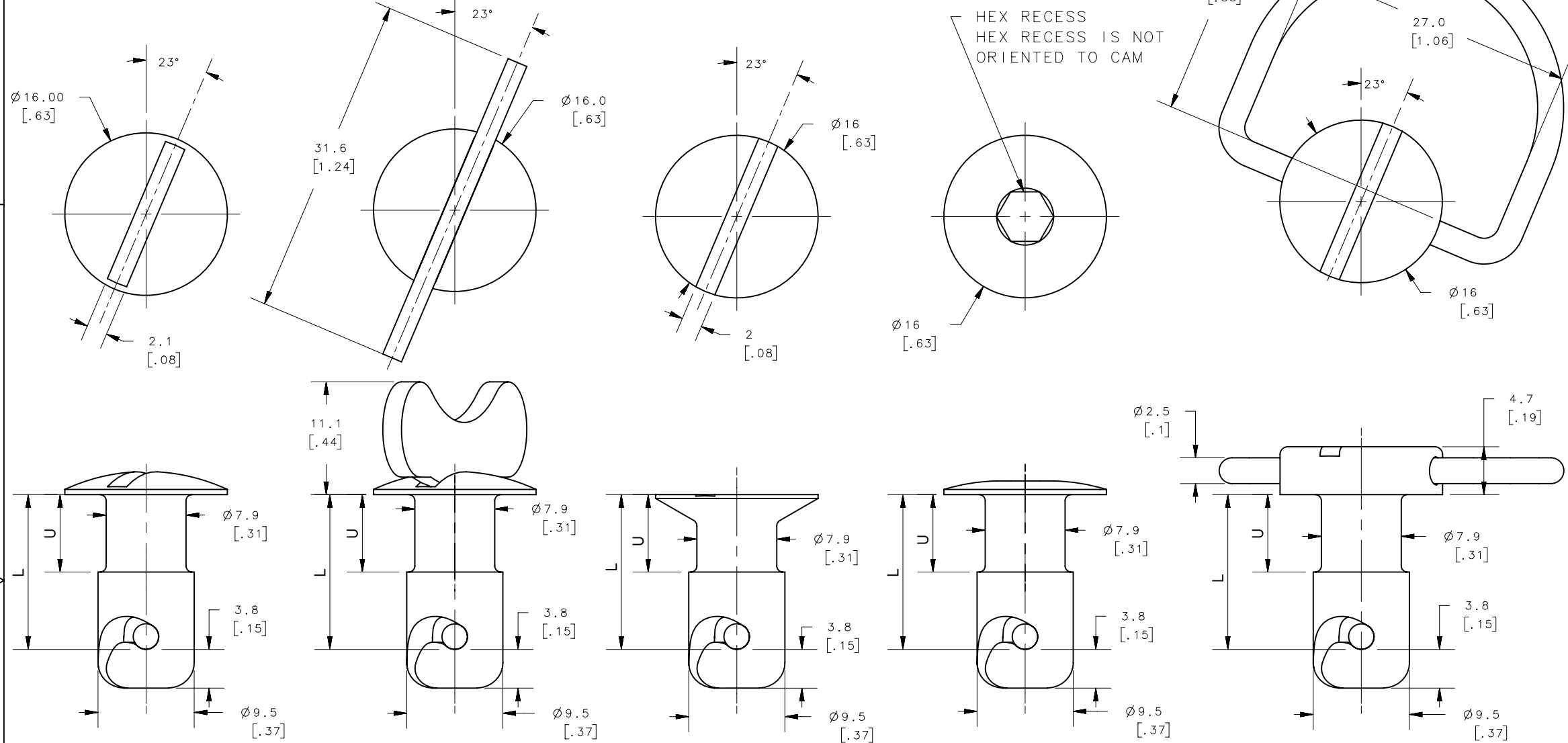


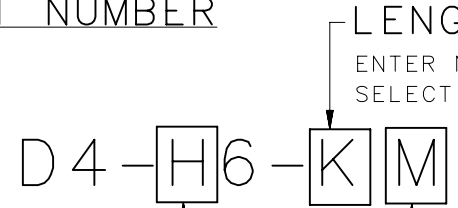
REVISION HISTORY			
REV	DATE	BY	DESCRIPTION
A	11 MAR 2011	YGC	P2011-0350



### SELECTION TABLE

K	U	L
35	4.45[0.175]	8.89[0.350]
40	5.08[0.200]	10.16[0.400]
45	5.72[0.225]	11.43[0.450]
50	6.35[0.250]	12.70[0.500]
55	6.99[0.275]	13.97[0.550]
60	7.62[0.300]	15.24[0.600]
65	8.26[0.325]	16.51[0.650]
70	8.89[0.350]	17.78[0.700]
75	9.53[0.375]	19.05[0.750]
80	10.16[0.400]	20.32[0.800]
85	10.80[0.425]	21.59[0.850]
90	11.43[0.450]	22.86[0.900]
95	12.07[0.475]	24.13[0.950]
100	12.70[0.500]	25.40[1.000]
105	13.34[0.525]	26.67[1.050]
110	13.97[0.550]	27.94[1.100]
115	14.61[0.575]	29.21[1.150]
120	15.24[0.600]	30.48[1.200]
125	15.88[0.625]	31.75[1.250]
130	16.51[0.650]	33.02[1.300]
135	17.15[0.675]	34.29[1.350]
140	17.78[0.700]	35.56[1.400]
150	19.13[0.750]	38.10[1.500]
155	19.76[0.775]	39.37[1.550]
160	20.40[0.800]	40.64[1.600]
165	21.03[0.825]	41.91[1.650]
170	21.67[0.850]	43.18[1.700]
175	22.30[0.875]	44.45[1.750]
180	22.94[0.900]	45.72[1.800]
185	23.58[0.925]	46.99[1.850]
190	24.21[0.950]	48.26[1.900]
195	24.85[0.975]	49.53[1.950]
200	25.48[1.000]	50.80[2.000]
205	26.12[1.025]	52.07[2.050]
210	26.75[1.050]	53.34[2.100]
215	27.39[1.075]	54.61[2.150]
220	28.02[1.100]	55.88[2.200]
225	28.66[1.125]	57.15[2.250]
230	29.29[1.150]	58.42[2.300]
235	29.93[1.175]	59.69[2.350]
240	30.56[1.200]	60.96[2.400]
245	31.20[1.225]	62.23[2.450]
250	31.83[1.250]	63.50[2.500]

**PART NUMBER**



**MATERIAL/FINISH**  
 NO SUFFIX: STEEL ZINC PLATED WITH CLEAR CHROMATE FINISH  
 EX: D4-AJ6-30  
 SS: STAINLESS STEEL, HEAT TREATED, PASSIVATED  
 EX: D4-AJ6-30SS  
 FOR NON STANDARD FINISHS, REFER TO SOUTHCO SPECIFICATION  
 J-D5-0-3  
 EX: D4-AJ6-30CBB

**HEAD STYLE**  
 AJ SLOT  
 AJW WING HEAD  
 FJ FLUSH SLOT  
 ASHJ HEX RECESS  
 BJR BAIL HEAD

THIRD ANGLE PROJECTION				
MILLIMETERS [IN]	DESCRIPTION			QUARTER TURN FASTENER, D4-H6
TOLERANCES UNLESS OTHERWISE NOTED	ALL DIMENSIONS WITHOUT TOLERANCES ARE FOR REFERENCE ONLY.			
PROPRIETARY ITEM	SIZE	SYSTEM	DWG NO.	
EXCEPT FOR USES EXPRESSLY GRANTED IN WRITING, INFORMATION DISCLOSED HEREON IS CONFIDENTIAL AND ALL RIGHTS, PATENT AND OTHERWISE, ARE RESERVED BY SOUTHCO, INC.	A3	NX	J-D4-H6-K	
PER ASME Y14.5M-1994	DRAWN BY	DATE	SCALE	SHEET
	YGC	10 DEC 2010	2:1	1 OF 1