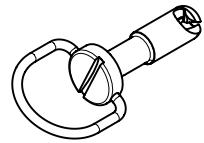
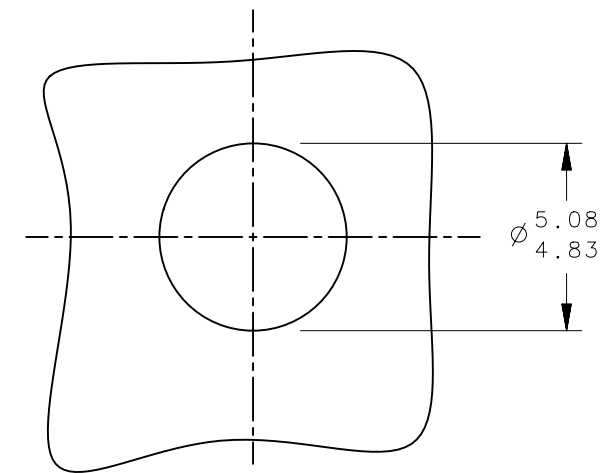
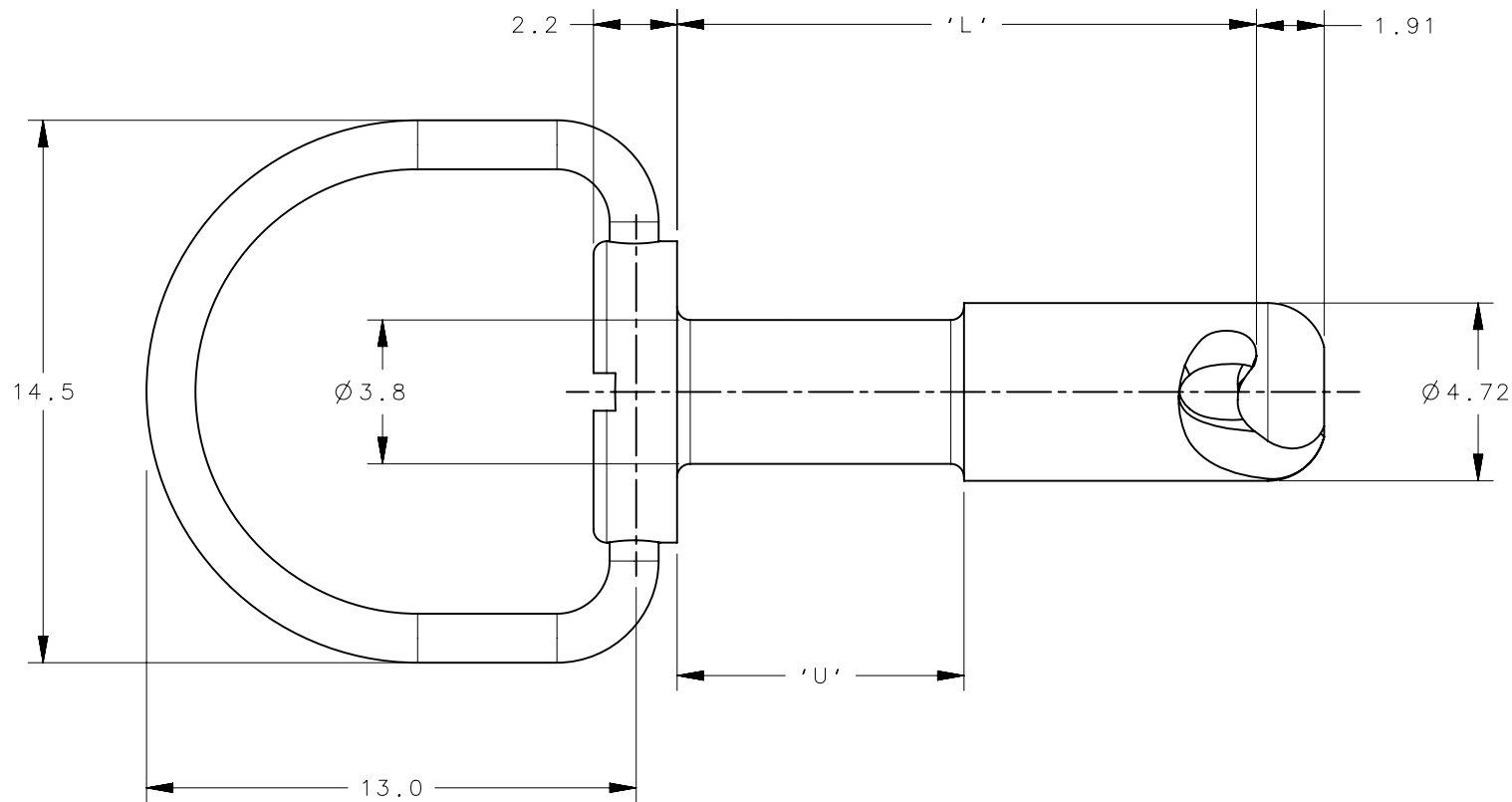
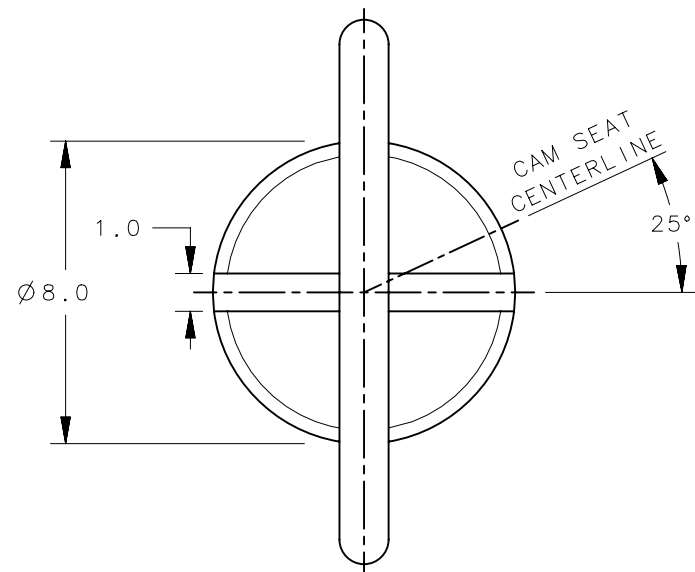


REVISION HISTORY			
REV	DATE	BY	DESCRIPTION
A	19-01-2009	M WALDREN	PRN P2009-002
B	15-04-2010	TP/VD	PRN: P2010-0339



REF. VIEW
SCALE 1:1



STANDARD PANEL PREPERATION

PART NO.	'L'	'U'	PART NO.	'L'	'U'
D4-BJR3-25	6.35	1.90	D4-BJR3-120	30.48	12.70
D4-BJR3-30	7.62	2.54	D4-BJR3-130	33.02	12.70
D4-BJR3-35	8.89	3.81	D4-BJR3-140	35.56	12.70
D4-BJR3-40	10.16	5.08	D4-BJR3-150	38.10	12.70
D4-BJR3-45	11.43	5.77	D4-BJR3-160	40.64	12.70
D4-BJR3-50	12.70	6.35	D4-BJR3-170	43.18	12.70
D4-BJR3-55	13.97	6.99	D4-BJR3-180	45.72	12.70
D4-BJR3-60	15.24	7.62	D4-BJR3-190	48.26	12.70
D4-BJR3-65	16.51	8.89	D4-BJR3-200	50.80	12.70
D4-BJR3-70	17.78	8.89	D4-BJR3-210	53.34	12.70
D4-BJR3-75	19.05	9.50	D4-BJR3-220	55.88	12.70
D4-BJR3-80	20.32	10.16	D4-BJR3-230	58.42	12.70
D4-BJR3-85	21.59	10.16	D4-BJR3-240	60.96	12.70
D4-BJR3-90	22.86	12.70	D4-BJR3-250	63.50	12.70
D4-BJR3-95	24.13	12.70			
D4-BJR3-100	25.40	12.70			
D4-BJR3-110	27.94	12.70			

PART NO.	MATERIAL	FINISH
D4-BJR3-XX SS	STAINLESS STEEL	CLEAN
D4-BJR3-XX	CARBON STEEL	ZINC & CLEAR PASSIVATE

THIRD ANGLE PROJECTION	 CONNECT · CREATE · INNOVATE	
MILLIMETERS [IN]	SIZE A3	SYSTEM NX
TOLERANCES UNLESS OTHERWISE NOTED	DWG NO. J-D4-BJR3	
ALL DIMENSIONS WITHOUT TOLERANCES ARE FOR REFERENCE ONLY.	DRAWN BY MJW	DATE 23-01-2008
PROPRIETARY ITEM EXCEPT FOR USES EXPRESSLY GRANTED IN WRITING, INFORMATION DISCLOSED HEREON IS CONFIDENTIAL, AND ALL RIGHTS, PATENT AND OTHERWISE, ARE RESERVED BY SOUTHCO, INC.	PER ASME Y14.5M-1994	SCALE 5 : 1 SHEET 1 OF 1