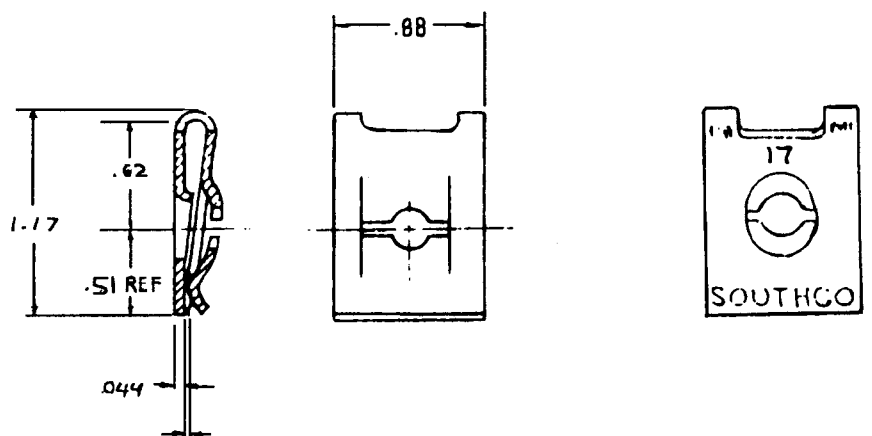




SOUTHCO No. 17 FASTENER
 "U" TYPE RECEPTACLE RANGE .045 TO .093

DATE	DRAWN	CHKD	SCALE	DRAWING NUMBER
2-8-60	TPS.	D.S.T.	N.T.S.	J-17-2-17

REV. LET.	DATE	BY-CHKD	REVISIONS	PART No.	MATERIAL	FINISH			U.S. CASE	APP.
K	9-19-89	TAB	PRN 17-106 (SEE RECORD DWG.)	17-10017-11	1064-STEEL	DACROTIZED TM			A	
L	6-18-91	CRV	ADDED TOLERANCE BLOCK						B	
M	5-Mar-93	VTB	PRN 15-103						C	
									D	5-1562



FOR PANELS
 .045 TO .093
 THICK