

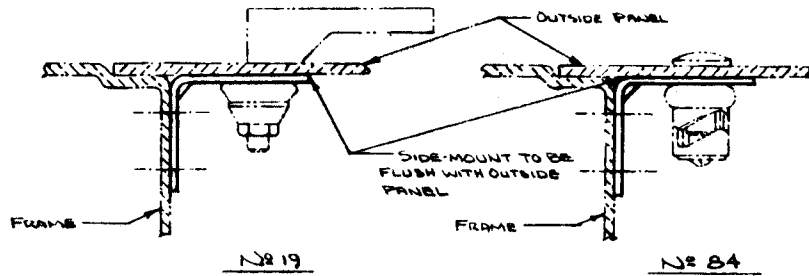
SOUTHCO, INC.

SIDE MOUNT ~ N^o 19-091 SERIES
N^o 84-50 SERIES

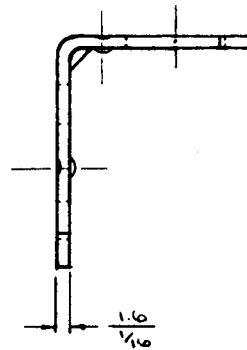
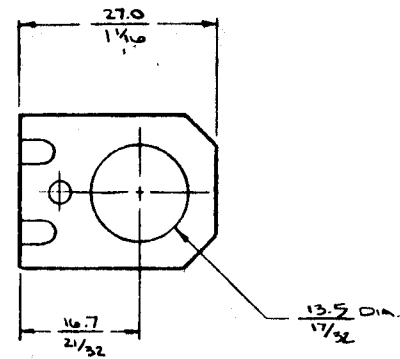
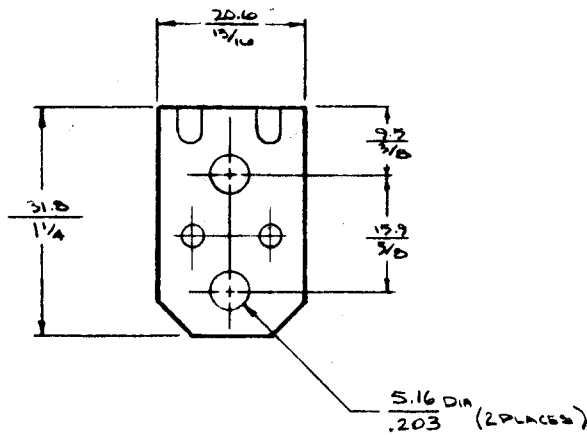
DATE	DRAWN	CHKD	SCALE	DRAWING NUMBER
9-24-79	TEK		N.T.S.	N-16300-J

REV. LET.	DATE	BY-CHKD	REVISIONS	PART N ^o	MATERIAL	FINISH	R.S.	DATE	APP.
A	4-27-82	HAR	PRN 5-1-01	19-0-15665-11	STEEL	SEE NOTE A	A		
B	6-2-83	SJM	PRN 19-12	19-0-15665-12	STEEL	SEE NOTE B	B		
C	20 JUNE 96	ESK	PRN 19-139				C		
D	21 Nov 96	SWD	PRN: 19-147				D	10-27-99	TEK

NOTE "A": ZINC PLATE PER ASTM B633 TY. II, SC-3 YELLOW CHROMATE.
NOTE "B": ZINC PLATE PER ASTM B633 TY. III, SC-3 BRIGHT CHROMATE.



INSTALLATION



MILLIMETER/INCH

MILLIMETER
INCH

TOLERANCE UNLESS OTHERWISE NOTED
METRIC MM - TWO PLACE (.XX) ± 0.25 ONE PLACE (.X) ± 0.8
INCH - DECIMALS ± .010 FRACTIONS ± 1/32 ANGLES ± 1°

DRAWING NUMBER
N-16300-J