



SPECIAL No.27 FASTENER ASSEMBLY
RIGHT HAND

DATE	DRAWN	CHK'D	SCALE	DRAWING NUMBER
12-11-62	BC	TPS	N.T.S	27-N-123-10-J

REV	DATE	BY-CHK'D	REVISIONS	ITEM	NAME	PART No.	MATERIAL	FINISH	R.R.	DATE	APP.
L	28NOV94	MSB	PRN:27-71	X	ASSEMBLY	27-99-123-10	-----	-----	A		
M	22FEB2000	VNI	PRN: 27-111	1	SCREW ASSY	27-16-301-10	SEE NOTE A	SEE NOTE A	B		
				2	HOUSING	27-0-7956-15	STEEL	ZINC ALLOY PLATE BRIGHT, PLUS SEALER	C		
				3	PAWL	27-13-101-15	STEEL	ZINC ALLOY PLATE BRIGHT, PLUS SEALER	D		
				4	SPRING	27-14-102-24	STAINLESS ST'L	PASSIVATED			
				5	TRIM NUT	27-82-403-11	STEEL	ZINC ALLOY PLATE BRIGHT, PLUS SEALER			
				6	HEX NUT	27-83-301-24	STAINLESS ST'L	PASSIVATED			
				7	BUSHING	27-81-301-15	BRASS	NATURAL			

MOUNTING INSTRUCTIONS

PUNCH SHAPED HOLE IN PANEL AS SHOWN, LOCATED .25" FROM NEAR EDGE OF STRIKER SURFACE. THE FLAT EDGE OF SHAPED HOLE TO BE PARALLEL TO EDGE OF STRIKER SURFACE WITH HEX NUT THREADED AGAINST EDGE OF HOUSING CUT OUT, INSERT THE FASTENER THRU THE HOLE FROM THE REAR. SLIP TRIM NUT OVER KNOB AND THREAD AGAINST PANEL. TIGHTEN HEX NUT WITH .38" END WRENCH. SHAPED HOLE WILL PREVENT FASTENER FROM TURNING WHILE TIGHTING NUT.

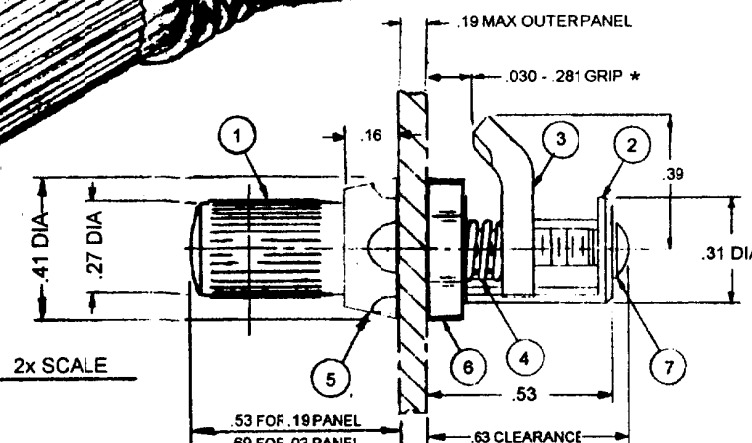
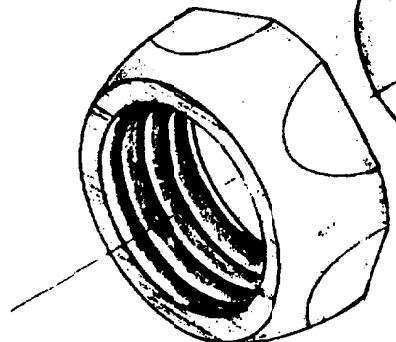
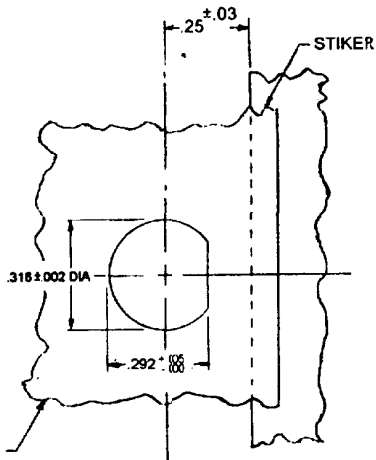
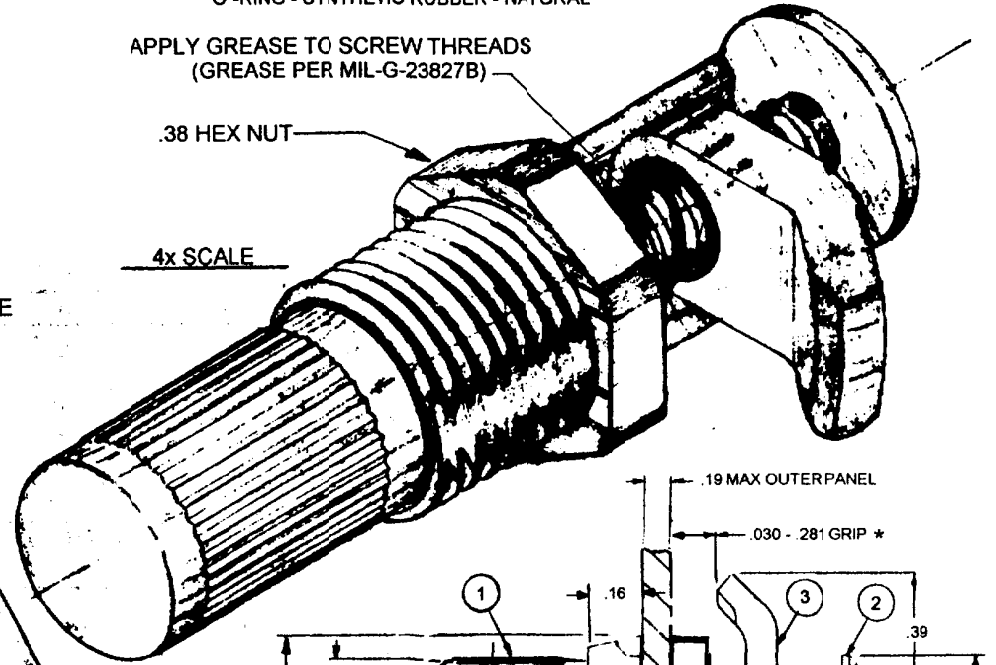
NCTE "A" - SCREW - STEEL - ZINC ALLOY PLATE BRIGHT, PLUS SEALER
"O"-RING - SYNTHETIC RUBBER - NATURAL

APPLY GREASE TO SCREW THREADS
(GREASE PER MIL-G-23827B)

.38 HEX NUT

4x SCALE

* NOTE: OUTER PANEL THICKNESS PERMITTING, MAX. GRIP MAY BE EXTENDED WHERE NECESSARY BY ADJUSTING HEX NUT TOWARD SCREW HEAD.



2x SCALE