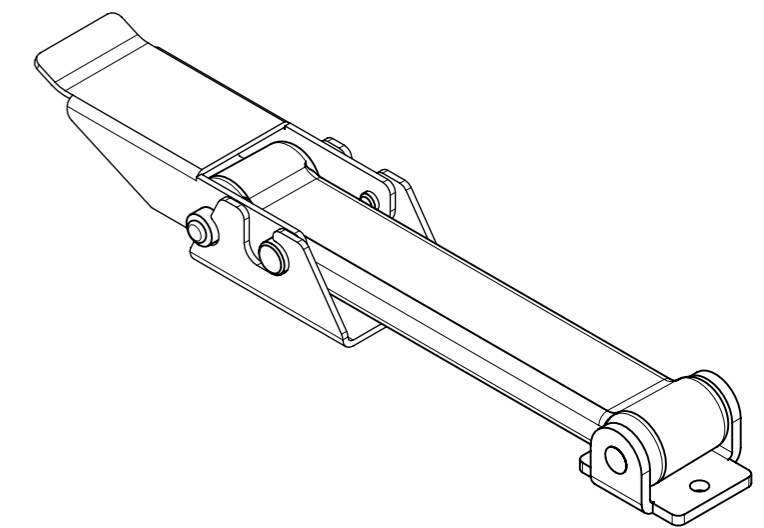
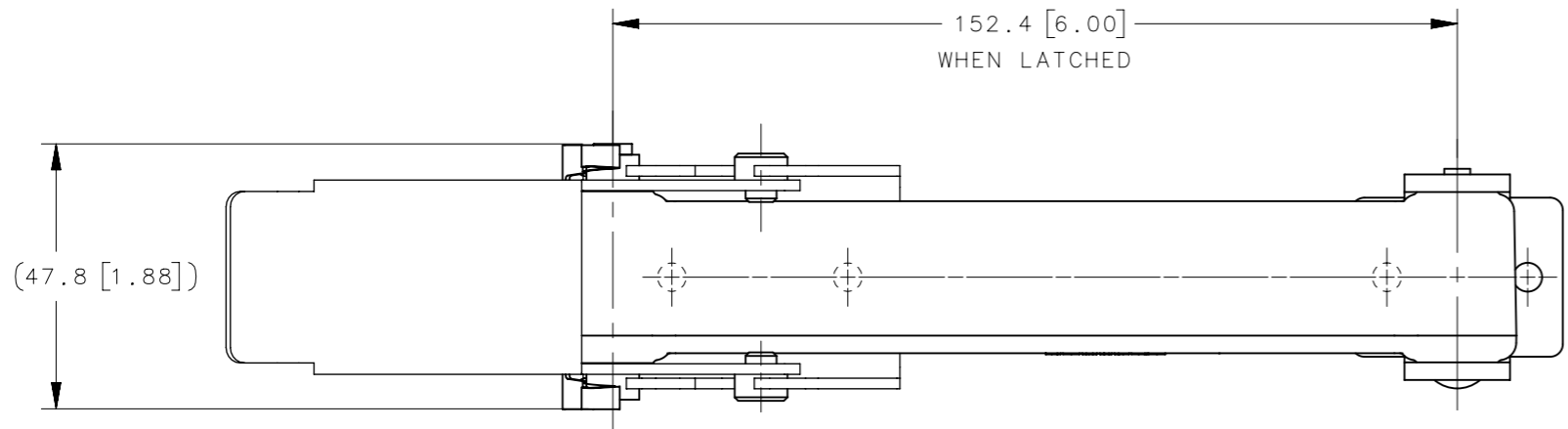
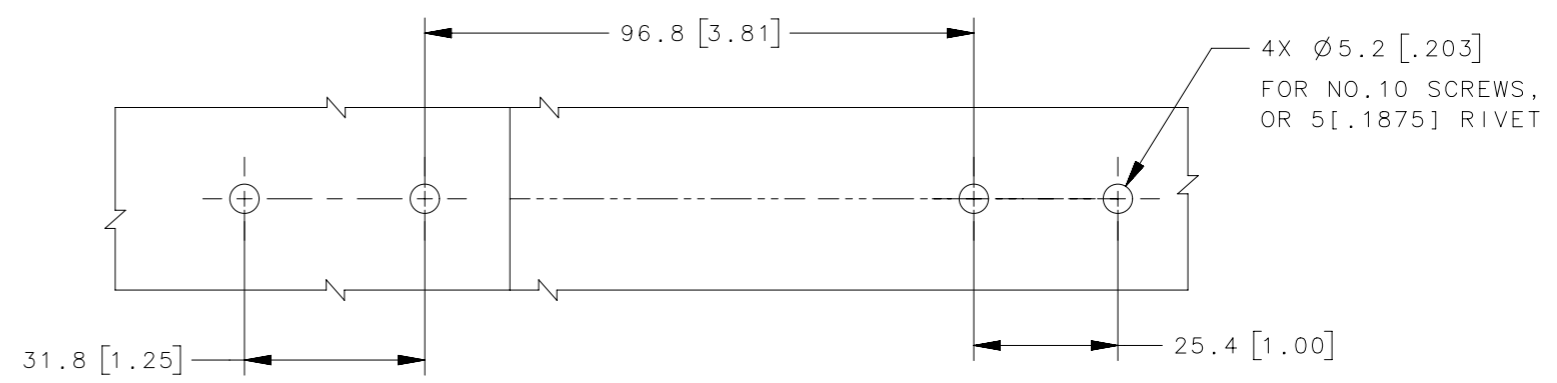
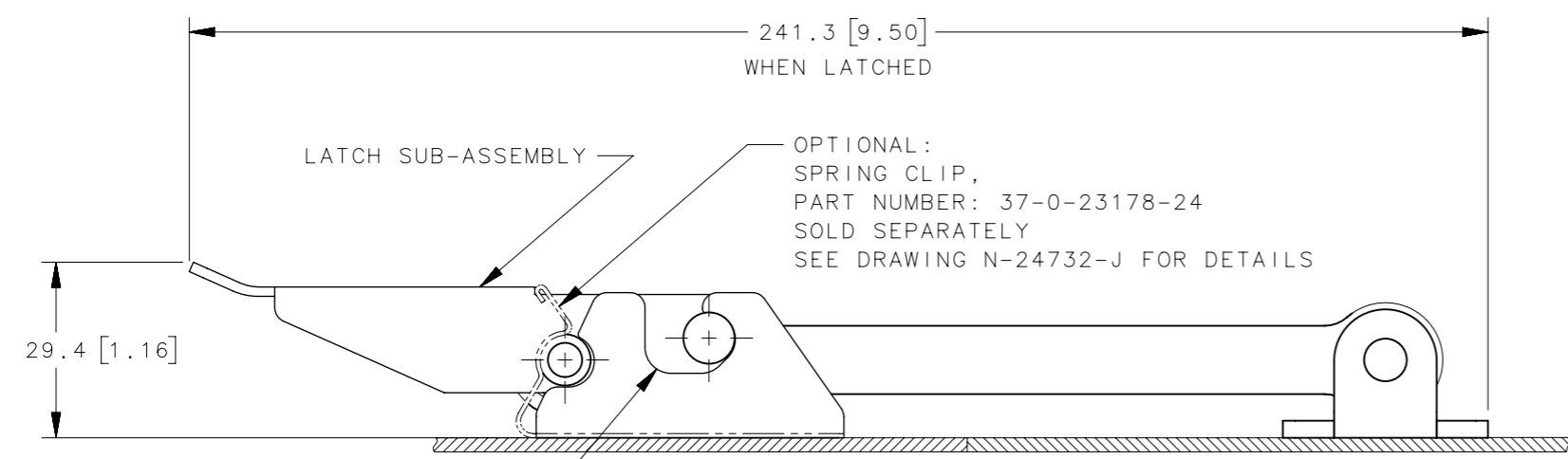


REVISION HISTORY			
REV	DATE	BY	DESCRIPTION
C	16OCT2018	JGG/ACH	PRN: P2018-2384



SCALE 1:2



PANEL PREPARATION

- NOTES:
- LATCH BODY: EPDM RUBBER, BLACK
STUD, BUSHING, RIVET: STAINLESS STEEL, PASSIVATED
 - LEVER, BRACKET AND KEEPER: STEEL, ZINC PLATE, BRIGHT CHROMATE PLUS SEALER
RIVET: ALUMINUM, NATURAL
 - LEVER, RIVET, BRACKET AND KEEPER: STAINLESS STEEL, ELECTROPOLISHED
 - LEVER, BRACKET AND KEEPER: STEEL, POWDER COAT, BALCK
RIVET: ALUMINUM, NATURAL

37-10-274-50	DRAW LATCH	SEE NOTE 1, 4
37-10-274-20	DRAW LATCH	SEE NOTE 1, 3
37-10-274-10	DRAW LATCH	SEE NOTE 1, 2
PART NUMBER	TYPE OF COMPONENT	MATERIAL, FINISH
THIRD ANGLE PROJECTION		southco [®] CONNECT • CREATE • INNOVATE
MILLIMETERS [IN]		
TOLERANCES UNLESS OTHERWISE NOTED		DESCRIPTION
ALL DIMENSIONS WITHOUT TOLERANCES ARE FOR REFERENCE ONLY.		37 DRAW LATCH FLEXIBLE OVER CENTER, LEVER ASSIST
SURFACE AREA	SIZE A3	SYSTEM NX
VOLUME	PROPRIETARY ITEM	DWG NO. J-37-10-274
PER ASME Y14.5M-1994		DATE 13JAN2016
EXCEPT FOR USES EXPRESSLY GRANTED IN WRITING, INFORMATION DISCLOSED HEREON IS CONFIDENTIAL AND ALL RIGHTS, PATENT AND OTHERWISE, ARE RESERVED BY SOUTHCO, INC.		SCALE 0.75:1
DRAWN BY DMS/YGC		SHEET 1 OF 1