

**southco**

PROPRIETARY ITEM - EXCEPT FOR USES EXPRESSLY GRANTED IN WRITING INFORMATION DISCLOSED HEREON IS CONFIDENTIAL AND ALL RIGHTS PATENT AND OTHERWISE ARE RESERVED BY SOUTHCO, INC.

TITLE

RETAINER

DATE

10-8-09

DRAWN

DME

CHKD

DC

SCALE

4:1

DRAWING NUMBER

J-D8-326-101-200

REV	DATE	DRAWN/CHKD	DESCRIPTION	PART NUMBER	MATERIAL	FINISH			
A	10-08-09	D. Etheridge	PRN P2009-0579	D8-326-101-200	STAINLESS STEEL	CLEAN			

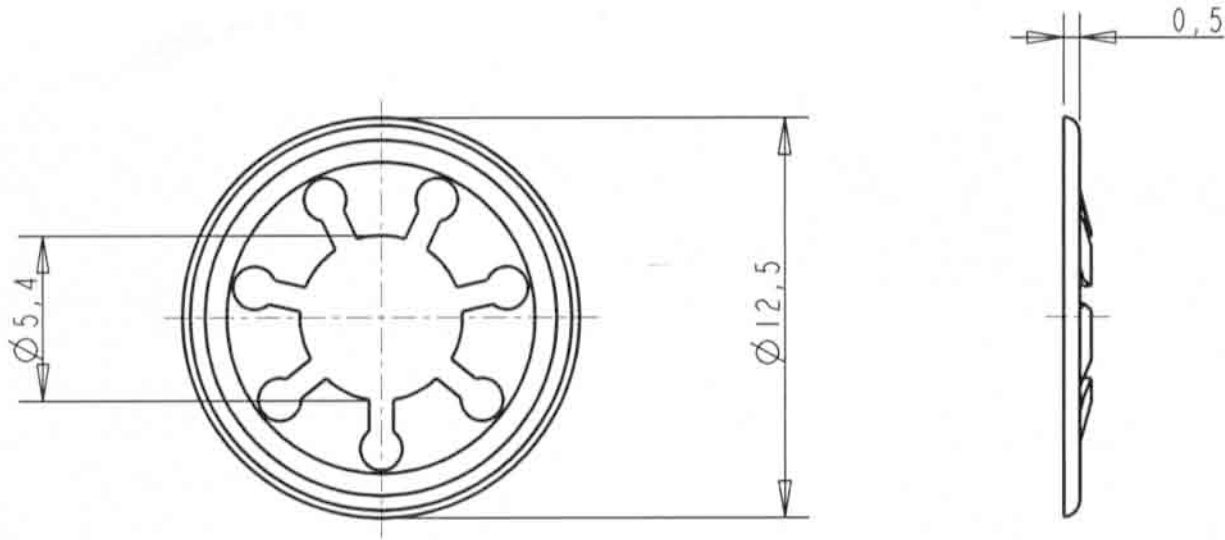
MILLIMETERS

ALL UNTOLERANCED DIMENSIONS ARE FOR REFERENCE PURPOSES UNLESS OTHERWISE SPECIFIED

THIRD ANGLE PROJECTION  A4 PAPER SIZE

# INDICATES DIMENSION WITH SIGNIFICANT CHARACTERISTIC

FILE No. XX



ACTUAL SIZE