

southco

PROPRIETARY ITEM - EXCEPT FOR USES EXPRESSLY GRANTED IN WRITING INFORMATION DISCLOSED HEREON IS CONFIDENTIAL AND ALL RIGHTS PATENT AND OTHERWISE ARE RESERVED BY SOUTHCO, INC.

TITLE

PRESS IN - FRONT MOUNT INSERT

DATE

19-03-09

DRAWN

MJW

CHKD

SCALE

3:1

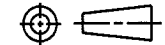
DRAWING NUMBER

J-D8-334-100-300

REV	DATE	DRAWN/CHKD	DESCRIPTION	PART NUMBER	MATERIAL	FINISH
A	25-03-09	M Waldren	PRN P2009-0359	D8-334-100-300	CARBON STEEL / BRASS	ZINC PLATE / BRASS NATURAL

MILLIMETERS

ALL UNTOLERANCED DIMENSIONS ARE FOR REFERENCE



THIRD ANGLE PROJECTION

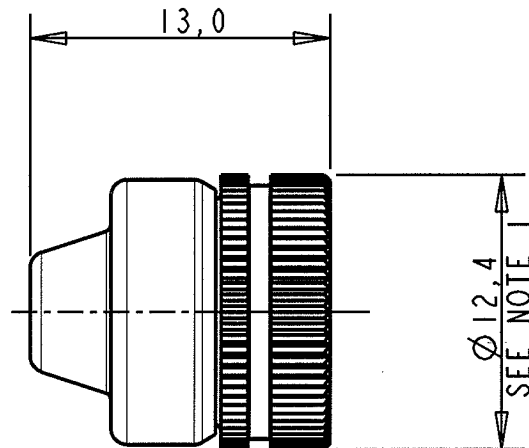
A4 PAPER SIZE

INDICATES DIMENSION WITH SIGNIFICANT CHARACTERISTIC

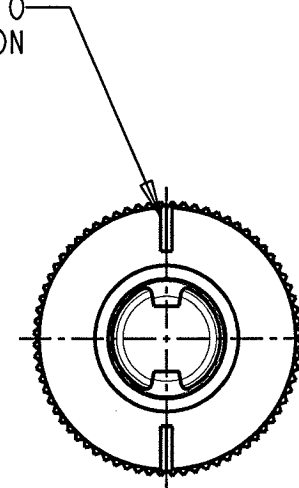
FILE No. XX



ACTUAL SIZE



2 OFF 'V' SHAPED GROOVES TO ASSIST WITH INSTALLATION



NOTE:
1. RECOMMENDED HOLE SIZE - $\varnothing 12,1 / 12,0$
MINIMUM PANEL THICKNESS 4,5