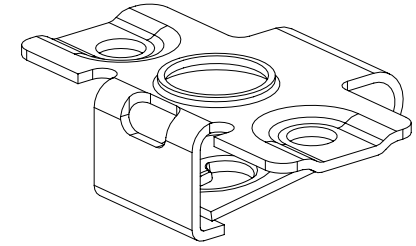
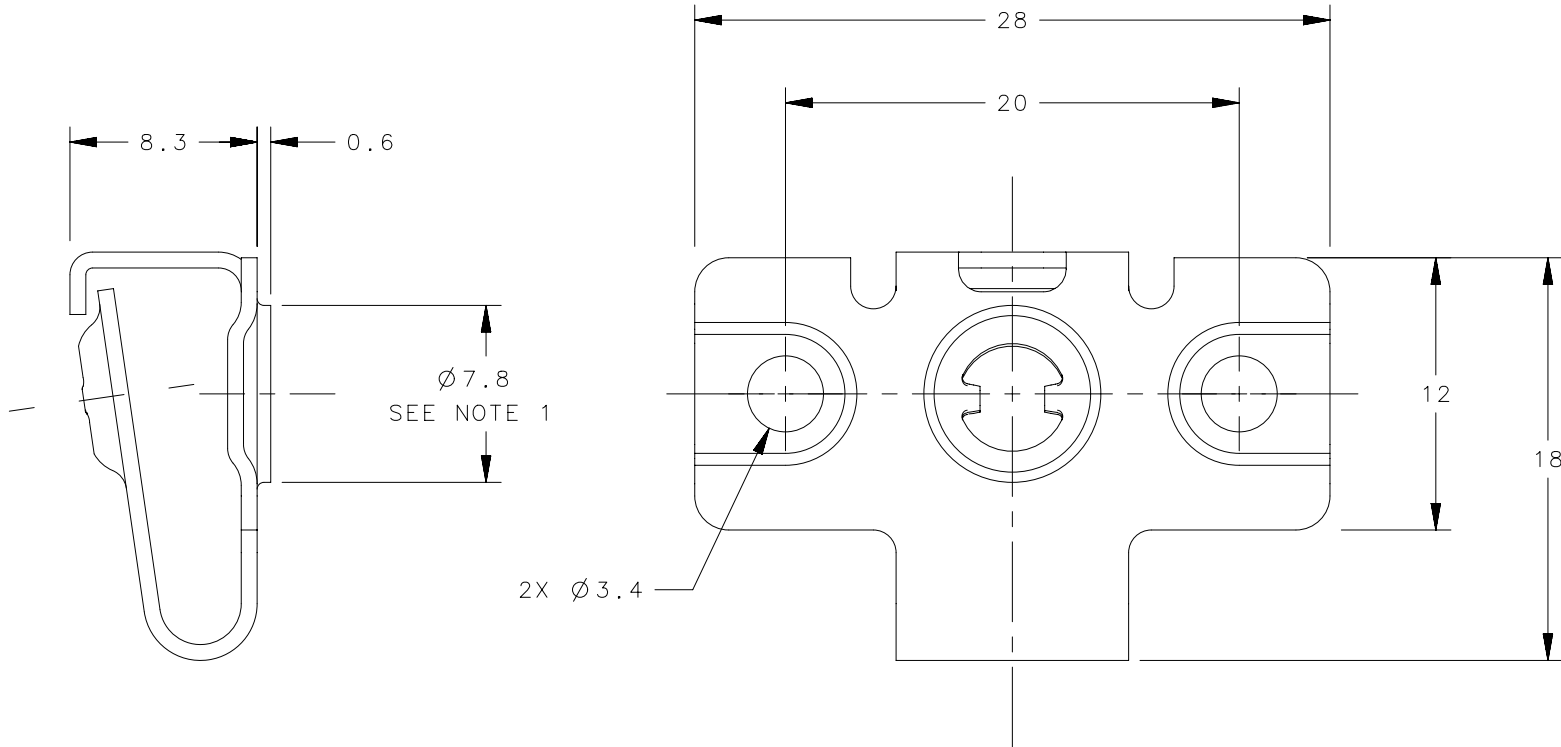


| REVISION HISTORY | | | |
|------------------|-----------|---------|-----------------|
| REV | DATE | BY | DESCRIPTION |
| B | 29MAR2014 | MWC/YGC | PRN: P2014-0731 |

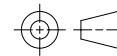


SCALE 2:1



| | | | |
|----------------|-------------------|--------------|-------------------------|
| D8-334-400-130 | RECEPTACLE | CARBON STEEL | ZINC PHOSPHATE - SILVER |
| D8-334-400-121 | RECEPTACLE | CARBON STEEL | SILVER GEOMET |
| PART NUMBER | TYPE OF COMPONENT | MATERIAL | FINISH |

THIRD ANGLE PROJECTION



MILLIMETERS [IN]

TOLERANCES UNLESS OTHERWISE NOTED

ALL DIMENSIONS WITHOUT TOLERANCES ARE FOR REFERENCE ONLY.

PER ASME Y14.5M-1994

southco[®]

CONNECT • CREATE • INNOVATE

DESCRIPTION
RECEPTACLE - RIVET ON

| | | |
|------------|--------------|-------------------------|
| SIZE A4 | SYSTEM NX | DWG NO. J-D8-334-400 |
|------------|--------------|-------------------------|

| | | | |
|-----------------|-------------------|--------------|-----------------|
| DRAWN BY MJW | DATE 20MAR2009 | SCALE 3:1 | SHEET 1 OF 1 |
|-----------------|-------------------|--------------|-----------------|

NOTES:

1) SUPPORT PANEL REQUIRES $\phi 8.00$ HOLE.

PROPRIETARY ITEM
EXCEPT FOR USES EXPRESSLY GRANTED
IN WRITING, INFORMATION DISCLOSED
HEREON IS CONFIDENTIAL AND ALL
RIGHTS, PATENT AND OTHERWISE,
ARE RESERVED BY SOUTHCO, INC.