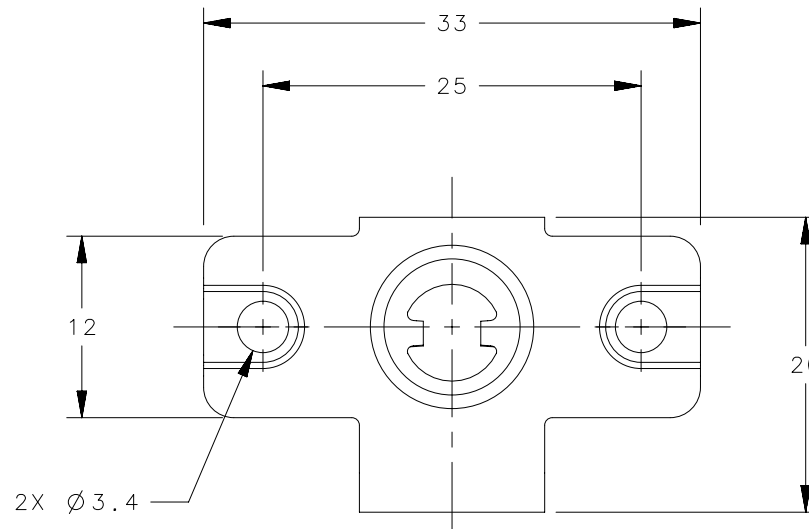
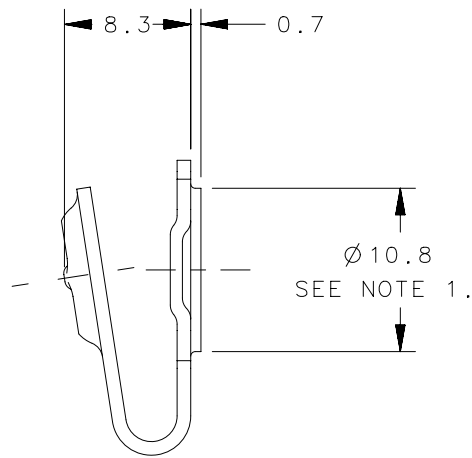
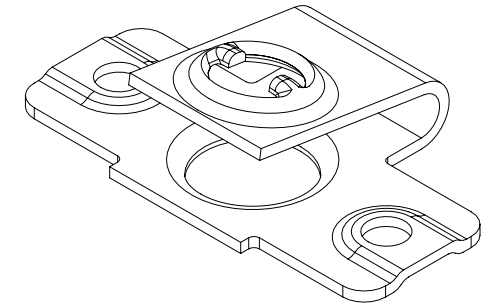


REVISION HISTORY			
REV	DATE	BY	DESCRIPTION
C	02DEC2021	HCP/HPD	PRN: P2021-2323



D8-336-400-139	RECEPTACLE	CARBON STEEL	BLACK
D8-336-400-130	RECEPTACLE	CARBON STEEL	ZINC PHOSPHATE - SILVER
D8-336-400-121	RECEPTACLE	CARBON STEEL	SILVER GEOMET
PART NUMBER	TYPE OF COMPONENT	MATERIAL	FINISH

THIRD ANGLE PROJECTION		 CONNECT • CREATE • INNOVATE	
MILLIMETERS [IN]			
TOLERANCES UNLESS OTHERWISE NOTED		DESCRIPTION RECEPTACLE - RIVET ON	
ALL DIMENSIONS WITHOUT TOLERANCES ARE FOR REFERENCE ONLY.		SIZE A4	SYSTEM NX
PER ASME Y14.5M-1994		DATE 20MAR2009	DWG NO. J-D8-336-400
<small>EXCEPT FOR USES EXPRESSLY GRANTED IN WRITING, INFORMATION DISCLOSED HEREON IS CONFIDENTIAL AND ALL RIGHTS, PATENT AND OTHERWISE, ARE RESERVED BY SOUTHCO, INC.</small>		DRAWN BY MJW	SCALE 2:1
		SHEET 1 OF 1	

NOTES:  
1) SUPPORT PANEL REQUIRES  $\phi 11.00$  HOLE.