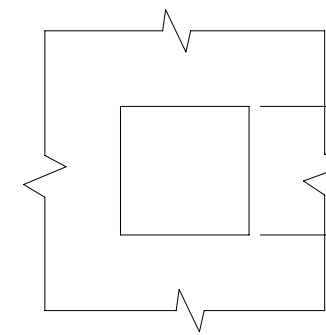
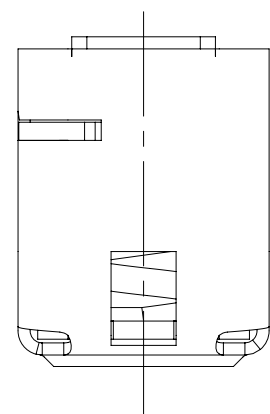
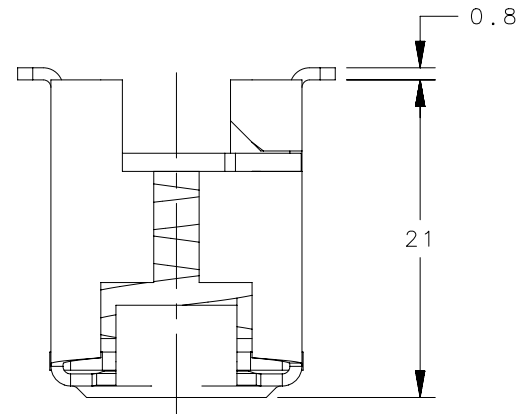
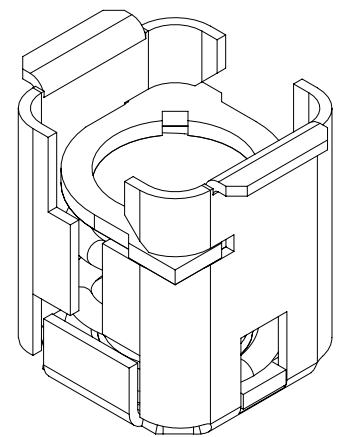
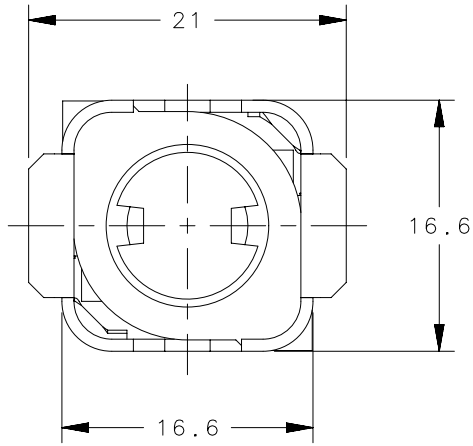


REVISION HISTORY			
REV	DATE	BY	DESCRIPTION
B	30APR2014	MWC/YGC	PRN: P2014-0863



17.0 [.669] MIN. SQUARE
17.2 [.667] MAX

0.7 [.028] MIN - 3.2 [.126] MAX. PANEL THICKNESS

PANEL PREPARATION

D8-339-200-190	FRONT MOUNT RECEPTACLE	CARBON STEEL	ZINC PLATE
PART NUMBER	TYPE OF COMPONENT	MATERIAL	FINISH

PROPRIETARY ITEM <small>EXCEPT FOR USES EXPRESSLY GRANTED IN WRITING, INFORMATION DISCLOSED HEREON IS CONFIDENTIAL AND ALL RIGHTS, PATENT AND OTHERWISE, ARE RESERVED BY SOUTHCO, INC.</small>	THIRD ANGLE PROJECTION	 CONNECT • CREATE • INNOVATE		
	MILLIMETERS [IN]			
	TOLERANCES UNLESS OTHERWISE NOTED	DESCRIPTION	SIZE	SYSTEM
	ALL DIMENSIONS WITHOUT TOLERANCES ARE FOR REFERENCE ONLY.	PANEX SIZE 9 FRONT MOUNT RECEPTACLE	A4	NX
PER ASME Y14.5M-1994	DRAWN BY	DATE	SCALE	SHEET
	SUT/YGC	8 JAN 2011	2:1	1 OF 1