

**southco**

PROPRIETARY ITEM - EXCEPT FOR USES EXPRESSLY GRANTED IN WRITING INFORMATION DISCLOSED HEREON IS CONFIDENTIAL AND ALL RIGHTS PATENT AND OTHERWISE ARE RESERVED BY SOUTHCO, INC.

TITLE  
PANEX SIZE 6 MINI SLIP ON RECEPTACLE

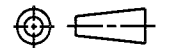
DATE	DRAWN	CHKD	SCALE
23-03-09	MJW		2:1

DRAWING NUMBER
J-D8-336-330

REV	DATE	DRAWN/CHKD	DESCRIPTION	PART NUMBER	MATERIAL	FINISH
A	25-03-09	M Waldren	PRN P2009-0359	D8-336-330-121	CARBON STEEL	SILVER GEOMET
				D8-336-330-130	CARBON STEEL	ZINC PHOSPHATE - SILVER
				D8-336-330-190	CARBON STEEL	ZINC PLATE

MILLIMETERS

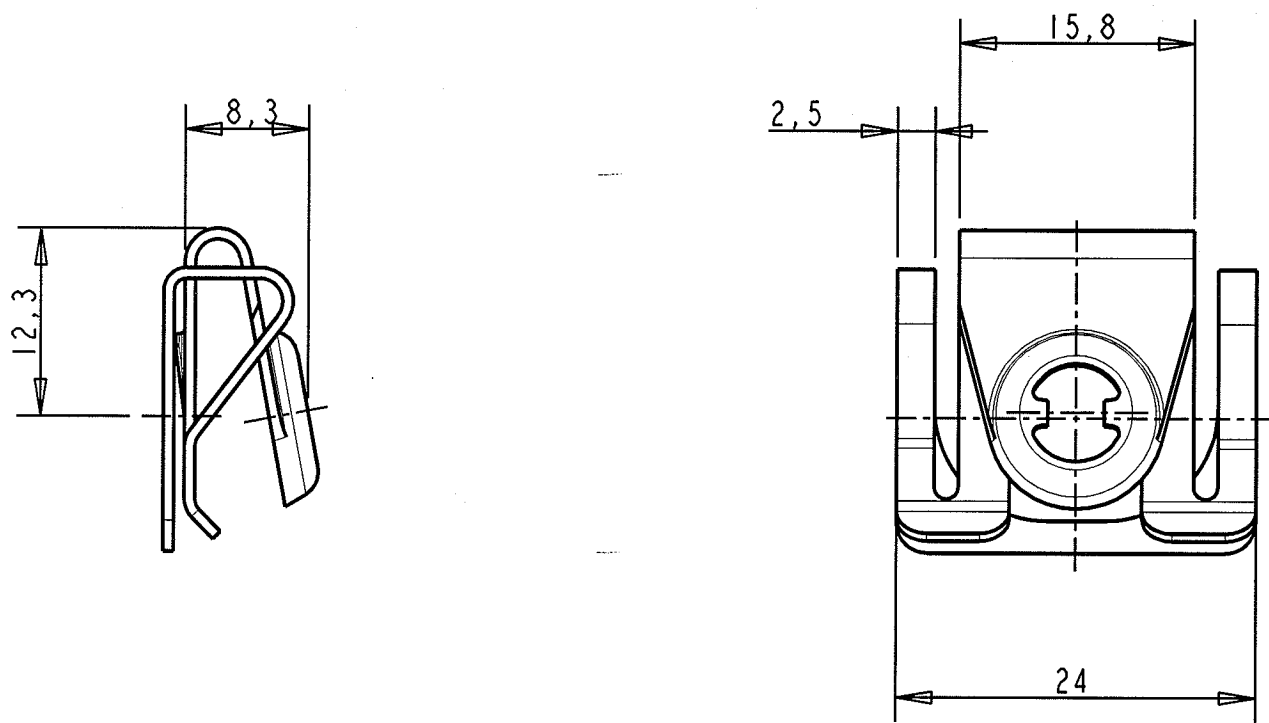
ALL UNTOLERANCED DIMENSIONS ARE FOR REFERENCE

 THIRD ANGLE PROJECTION

A4 PAPER SIZE

# INDICATES DIMENSION WITH SIGNIFICANT CHARACTERISTIC

FILE No. XX



NOTES:  
 PANEL THICKNESS 0,90 TO 2,50  
 PANEL PREPARATION HOLE  $\varnothing$ 11,00  
 DISTANCE FROM PREPARATION HOLE TO EDGE OF PANEL 8,00 MAX.