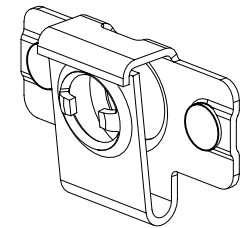
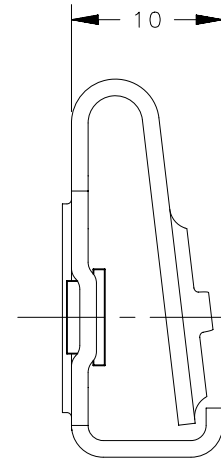
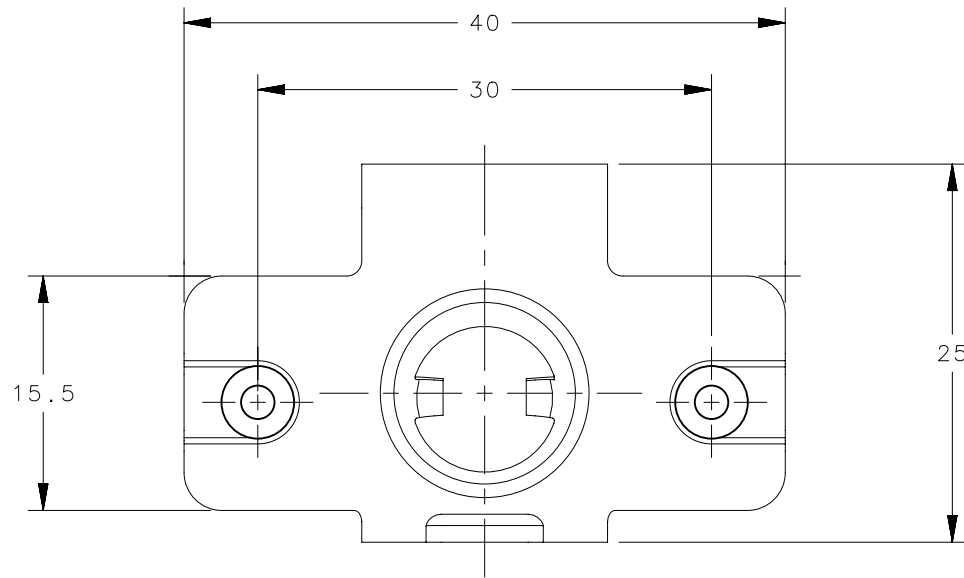
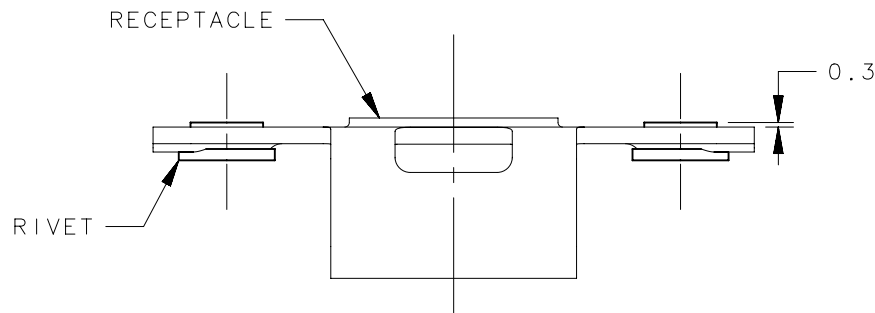


REVISION HISTORY			
REV	DATE	BY	DESCRIPTION
B	09APR2014	MWC/YGC	PRN: P2014-0745



SCALE 1:1



D8-339-500-199	WELD PLATE	CARBON STEEL	ZINC NICKEL
D8-339-500-130	WELD PLATE	CARBON STEEL	ZINC ORGANIC - SILVER
D8-339-500-121	WELD PLATE	CARBON STEEL	SILVER GEOMET
PART NUMBER	TYPE OF COMPONENT	MATERIAL	FINISH

	THIRD ANGLE PROJECTION	 CONNECT • CREATE • INNOVATE			
	MILLIMETERS [IN]				
SURFACE AREA	TOLERANCES UNLESS OTHERWISE NOTED	DESCRIPTION SIZE #9 WELD PLATE			
VOLUME	ALL DIMENSIONS WITHOUT TOLERANCES ARE FOR REFERENCE ONLY.	SIZE A4	SYSTEM NX	DWG NO. J-D8-339-500	
PROPRIETARY ITEM EXCEPT FOR USES EXPRESSLY GRANTED IN WRITING, INFORMATION DISCLOSED HEREON IS CONFIDENTIAL AND ALL RIGHTS, PATENT AND OTHERWISE, ARE RESERVED BY SOUTHCO, INC.	PER ASME Y14.5M-1994	DRAWN BY DME/LJ	DATE 18MAR2010	SCALE 2:1	SHEET 1 OF 1