



PROPRIETARY ITEM - EXCEPT FOR USES EXPRESSLY GRANTED IN WRITING INFORMATION DISCLOSED HEREON IS CONFIDENTIAL AND ALL RIGHTS PATENT AND OTHERWISE ARE RESERVED BY SOUTHCO, INC.



NUMBER E3 PULL TAB

DATE	DRAWN	CHKD	SCALE
27AUG2001	PEK		2:1

DRAWING NUMBER
J-E3-27-1

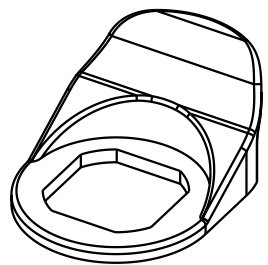
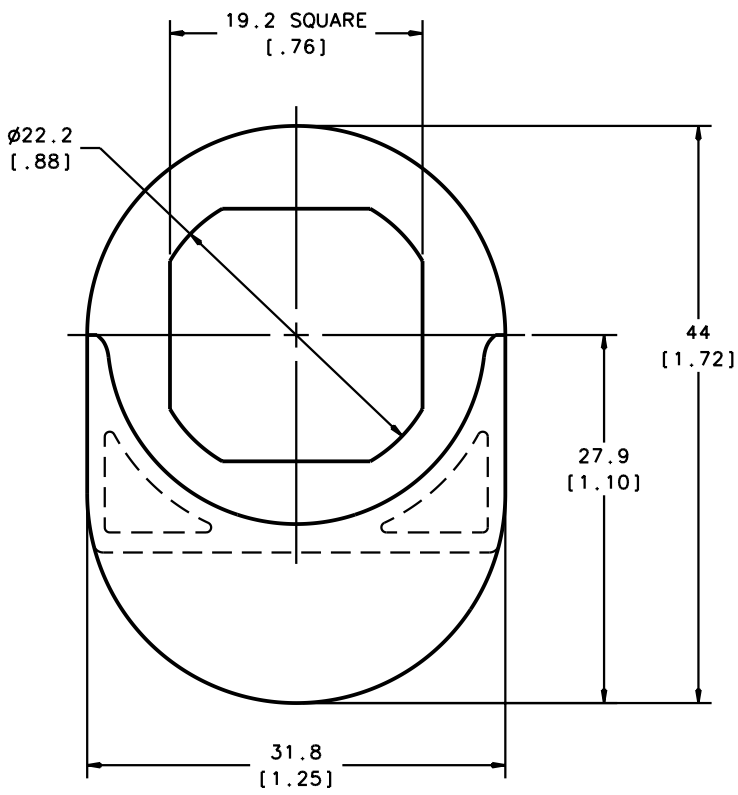
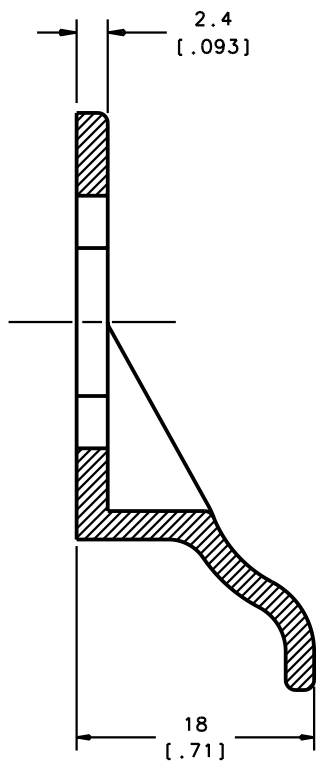
REV.	DATE	DRAWN	REVISION	PART NUMBER	MATERIAL	FINISH			
A	12JAN93	KPL	PRN: S-1-03	E3-27-1	NYLON	BLACK			
B	04SEP2001	VNI	PRN: P2001-0474						
C	11MAR2002	JWJ/AJH	PRN: P2002-0131						

MILLIMETER (INCH) DIMENSIONS
DIMENSIONS WITHOUT TOLERANCES ARE FOR REFERENCE ONLY.

 THIRD ANGLE PROJECTION A4 PAPER SIZE

NOTES:
A. WHEN USING PULL TAB, MINIMUM AND MAXIMUM GRIPS OF FASTENERS ARE REDUCED BY 2.4mm [.093].



SCALE 1:1