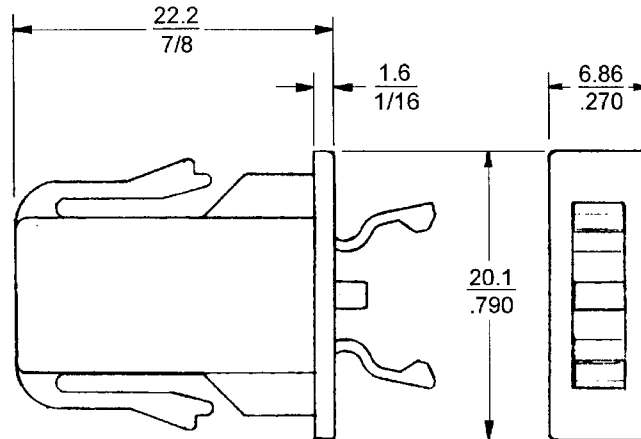




NO. E4 PUSH RELEASE CATCH

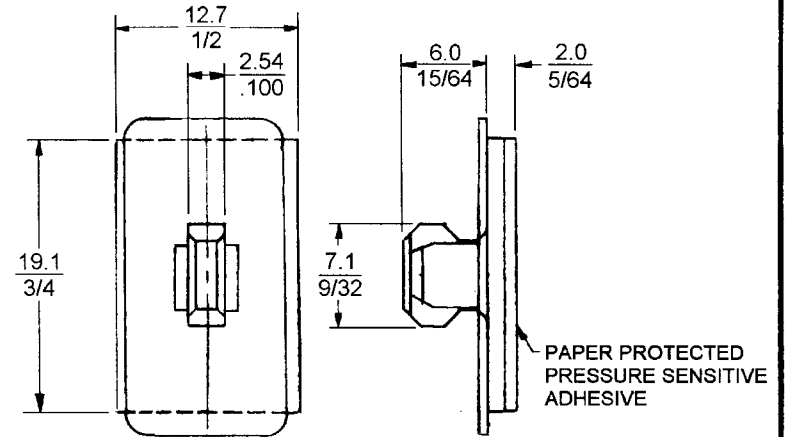
DATE	DRAWN	CHKD	SCALE	DRAWING NUMBER
8-9-83	JHV		2X	J-E4-10-101-10

PART NO. E4-10-101-10

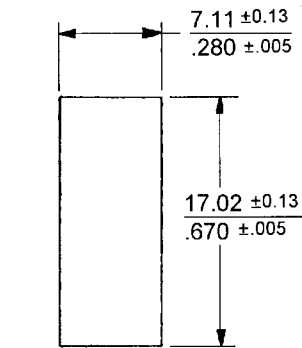


CATCH ASSEMBLY

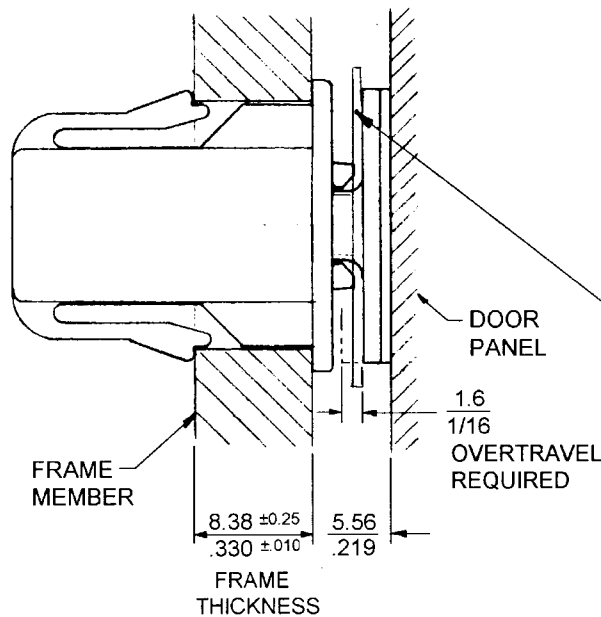
(CATCH ASSEMBLY IS AVAILABLE INDIVIDUALLY AS P/N E4-20-101-10.)



KEEPER ASSEMBLY



INSTALLATION HOLE IN FRAME MEMBER



MATERIAL AND FINISH
 BLACK ENGINEERING THERMOPLASTIC EXTERNAL COMPONENTS
 CORROSION RESISTANT METALIC INTERNAL COMPONENTS.

TO INSTALL
 SNAP CATCH ASSEMBLY INTO INSTALLATION HOLE. ENGAGE KEEPER WITH CATCH AND REMOVE PROTECTIVE PAPER FROM ADHESIVE SURFACE. CLOSE DOOR FIRMLY IN CONTACT WITH ADHESIVE.

SHIM IS ADDED AS A MEANS TO CENTER THE KEEPER IN THE LATCH. AFTER KEEPER IS INSTALLED ON PANEL, REMOVE SHIM AND DISCARD.

NOTE - IF LEGS ARE PUSHED IN BEFORE INSTALLATION PUSH IN AGAIN TO RELEASE.