



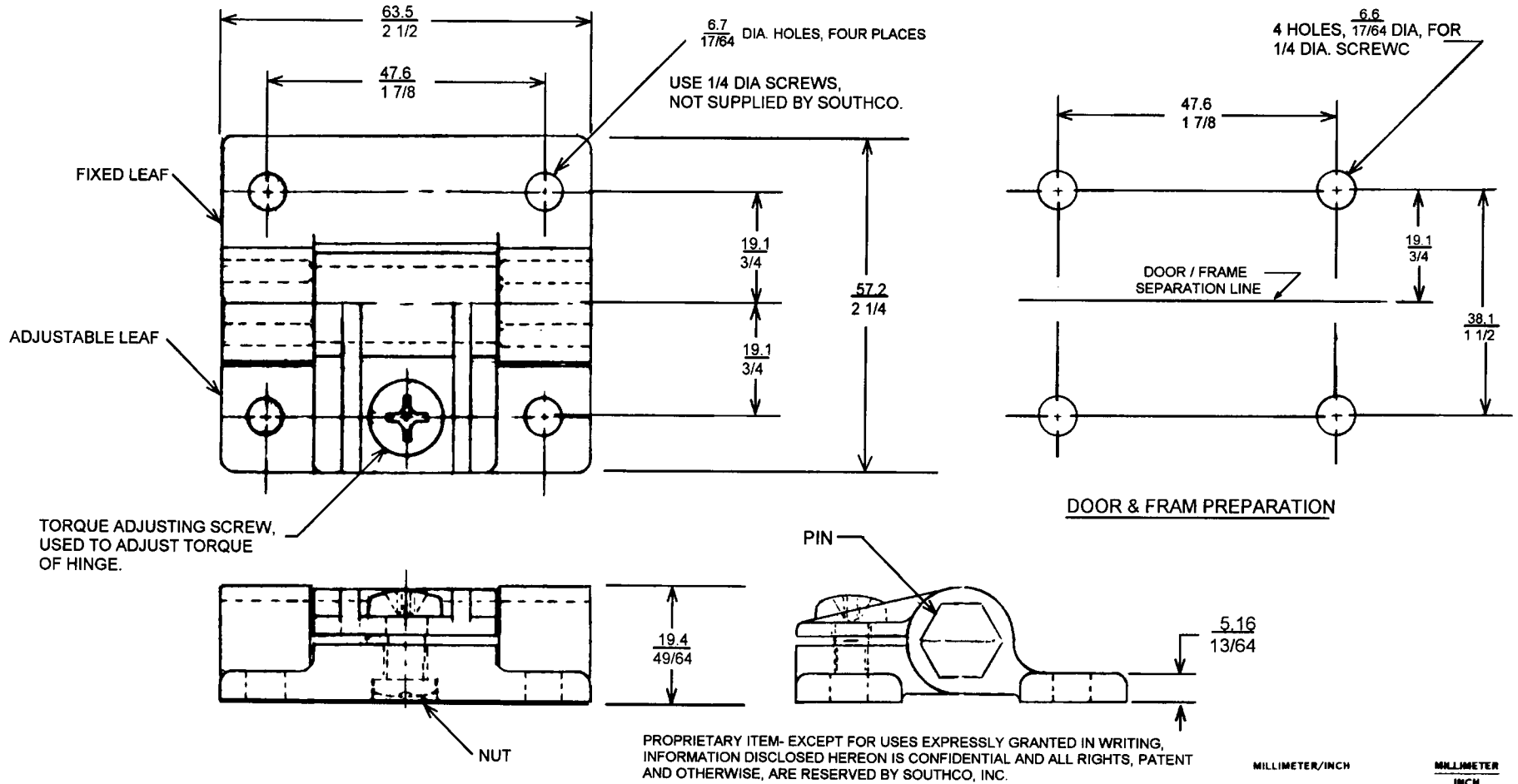
ADJUSTABLE FRICTION HINGE

DATE	DRAWN	CHKD	SCALE	DRAWING NUMBER
8-17-81	JHV		N.T.S.	J-E6-10-501-10

REV. LET.	DATE	BY-CHKD	REVISIONS	ITEM	PART NO.	MATERIAL	FINISH
I	12-11-84	RHS	PRN E6-41	HINGE ASSY	E6-10-501-10		
J	11-4-87	SMK	PRN: E6-42	FIXED LEAF		ACETAL	WHITE
K	1-22-90	TAB	4 HOLES 6.7 DIA WAS 4.4 (METRIC)	ADJUSTABLE LEAF		ACETAL	WHITE
L	9-13-90	AAB	PRN: E6-63	PIN		POLYCARBONATE	NATURAL
M	3-26-91	YEB	PRN: E6-66	NUT		STAINLESS STEEL	PASSIVATE
N	9-23-91	JAD	PRN: E6-72	ADJ. SCREW		STAINLESS STEEL	PASSIVATE

O	25 FEB 92	GWJ	JSS	MOUNTING HOLE WAS 6.7/17/64 DIA.
P	12 JAN 93	JC		PRN: S-1-03

NOTE A- SHIPPED ASSEMBLED, BULK. FOR HINGE TO BE PACKAGED ONE PER BAG, ADD SUFFIX "-P" TO THE PART NUMBER.



PROPRIETARY ITEM- EXCEPT FOR USES EXPRESSLY GRANTED IN WRITING, INFORMATION DISCLOSED HEREON IS CONFIDENTIAL AND ALL RIGHTS, PATENT AND OTHERWISE, ARE RESERVED BY SOUTHCO, INC.

MILLIMETER/INCH
 MILLIMETER
 INCH

PAT. 4,630,333
 PAT. 4,490,884
 PAT. D278,309

TOLERANCE UNLESS OTHERWISE NOTED
 METRIC MM - TWO PLACE (XX) ± ONE PLACE (X) ±
 INCH - DECIMALS ± FRACTIONS ± ANGLES ±

DRAWING NUMBER

J-E6-10-501-10