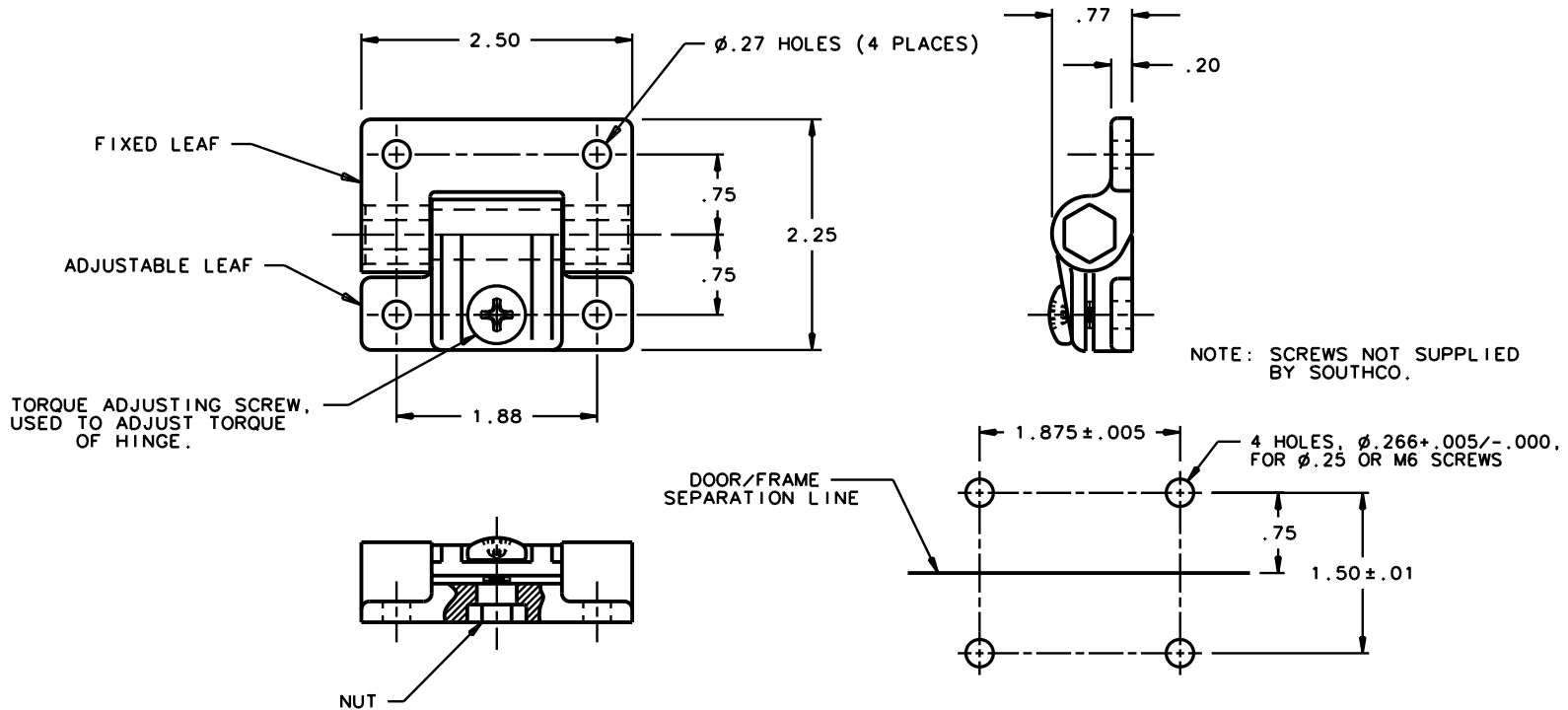


DATE	DRAWN	CHKD	SCALE	DRAWING NUMBER
8-17-81	JHV		NTS	J-E6-10-501-20

REV.	DATE	BY-CHKD	REVISIONS	ITEM	PART No.	MATERIAL	FINISH
S	20AUG2001	RJB JSS	PRN: P2001-0388 (SEE RECORD DWG.)	HINGE ASSEMBLY	E6-10-501-20		
				ADJUSTABLE LEAF		ACETAL	BLACK
				FIXED LEAF		ACETAL	BLACK
				ADJUSTMENT SCREW		STAINLESS STEEL	BLACK
				PIN		POLYCARBONATE	NATURAL
				NUT		STAINLESS STEEL	PASSIVATE

NOTE A: SHIPPED ASSEMBLED, BULK.
FOR HINGE TO BE PACKAGED
ONE PER BAG, ADD SUFFIX
"-P" TO THE PART NUMBER.



DOOR & FRAME PREPARATION

PAT. 4,630,333
PAT. 4,490,884
PAT. D 278,309

FORMAT 3/88

PROPRIETARY ITEM - EXCEPT FOR USES EXPRESSLY GRANTED IN WRITING
INFORMATION DISCLOSED HEREON IS CONFIDENTIAL AND ALL RIGHTS PATENT
AND OTHERWISE ARE RESERVED BY SOUTHCO, INC.

ALL DIMENSIONS ARE IN INCHES.
ALL DIMENSIONS WITHOUT TOLERANCES ARE REFERENCE.
THIRD ANGLE PROJECTION DRAWING.

DRAWING NUMBER
J-E6-10-501-20