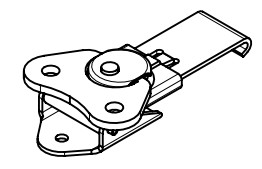
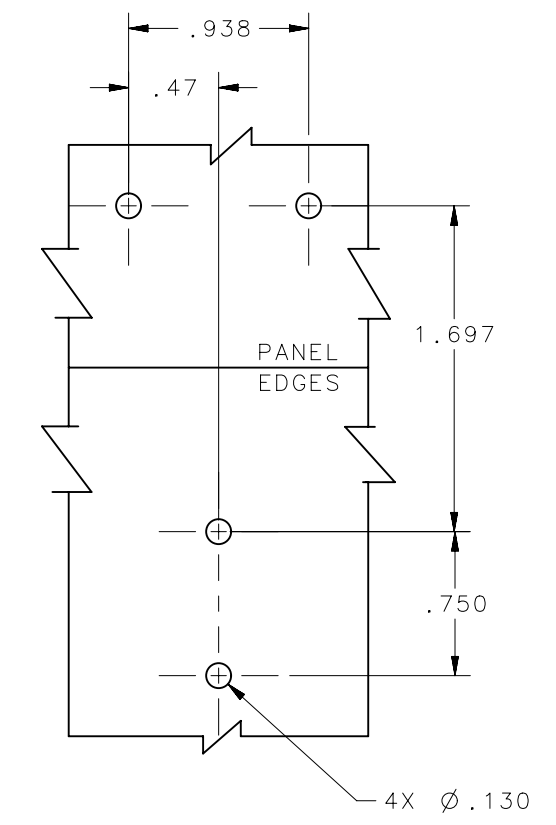
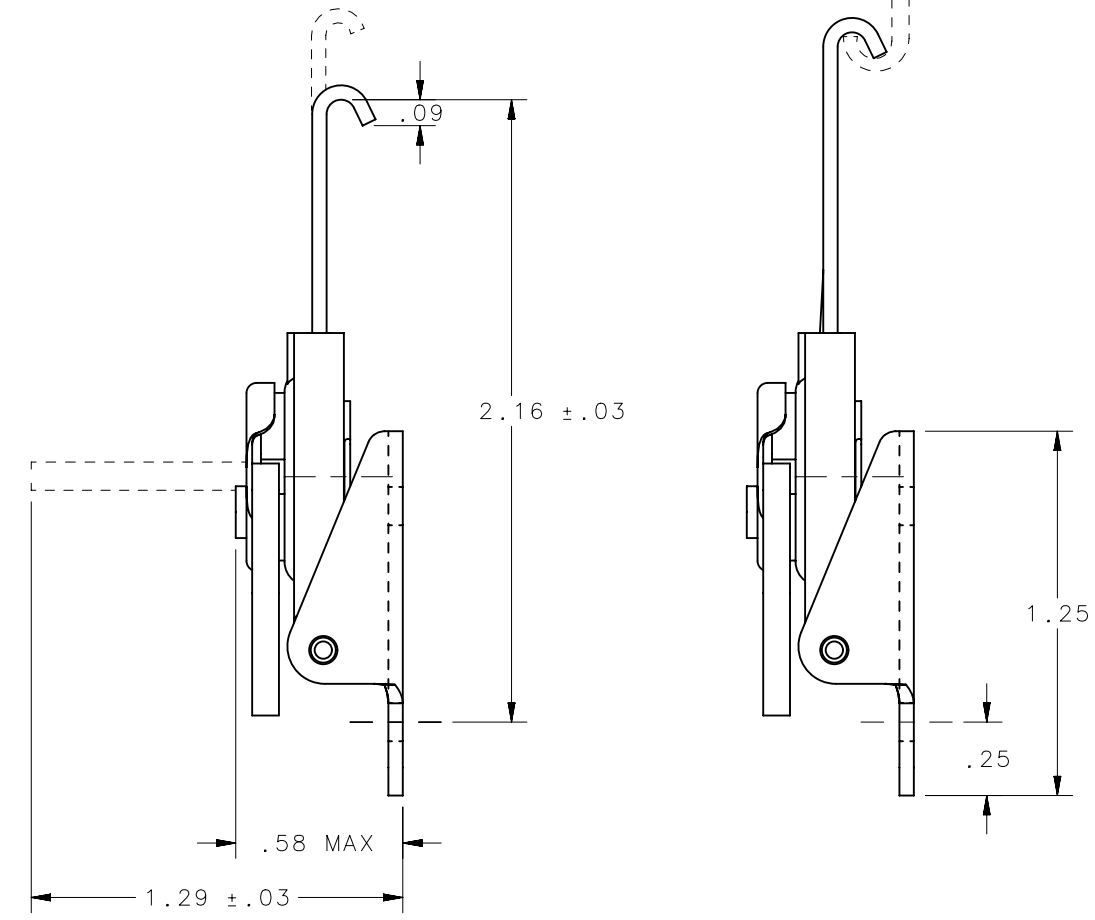
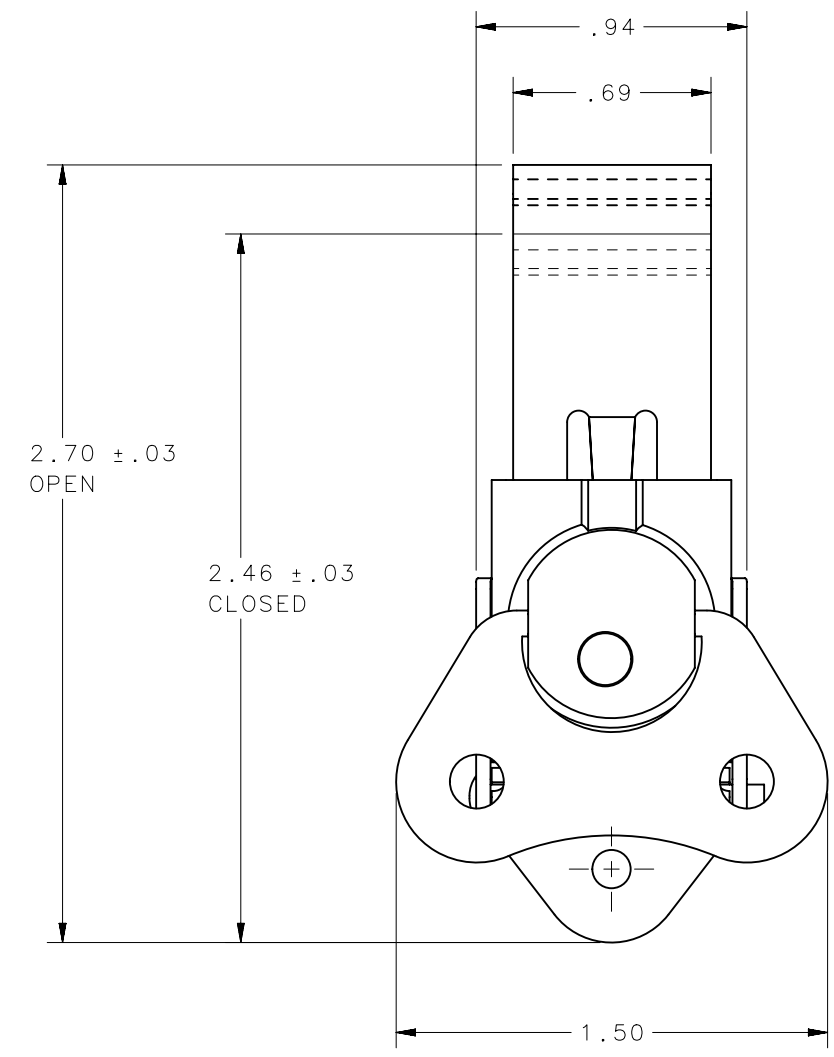


REVISION HISTORY			
REV	DATE	BY	DESCRIPTION
B	24JUL2017	JDB/CMS	PRN: P2017-1387



SCALE 1:2

OPTIONAL KEEPER PLATE
PART #K3-0334-52



PANEL PREPARATION
SCALE 1:1

- NOTES:
 1. MATERIAL & FINISH:
 A. ANCHOR PLATE, HOUSING, WING, UPPER CAM, LOWER CAM AND ANCHOR PLATE RIVET ARE STAINLESS STEEL, PASSIVATED, BRIGHT.
 B. SLIDE IS STAINLESS STEEL, NATURAL.
 C. CAP AND CAM RIVETS ARE STAINLESS STEEL.

K3-2347-52	LINK LOCK ASSEMBLY	SEE NOTE	SEE NOTE
PART NUMBER	TYPE OF COMPONENT	MATERIAL	FINISH
THIRD ANGLE PROJECTION		 CONNECT • CREATE • INNOVATE	
INCHES [MM]			
TOLERANCES UNLESS OTHERWISE NOTED		DESCRIPTION	
2 PLACE (.XX) ±.015		3-10 LINK LOCK ASSEMBLY	
3 PLACE (.XXX) ±.005		SIZE	SYSTEM
ALL ANGLES ±1°		B	NX
PER ASME Y14.5M-1994		DWG NO.	J-K3-2347-52
EXCEPT FOR USES EXPRESSLY GRANTED IN WRITING, INFORMATION DISCLOSED HEREON IS CONFIDENTIAL AND ALL RIGHTS, PATENT AND OTHERWISE, ARE RESERVED BY SOUTHCO, INC.		DRAWN BY	DATE
		DKM/YGC	28JUN2016
		SCALE	1.5:1
		SHEET	1 OF 1