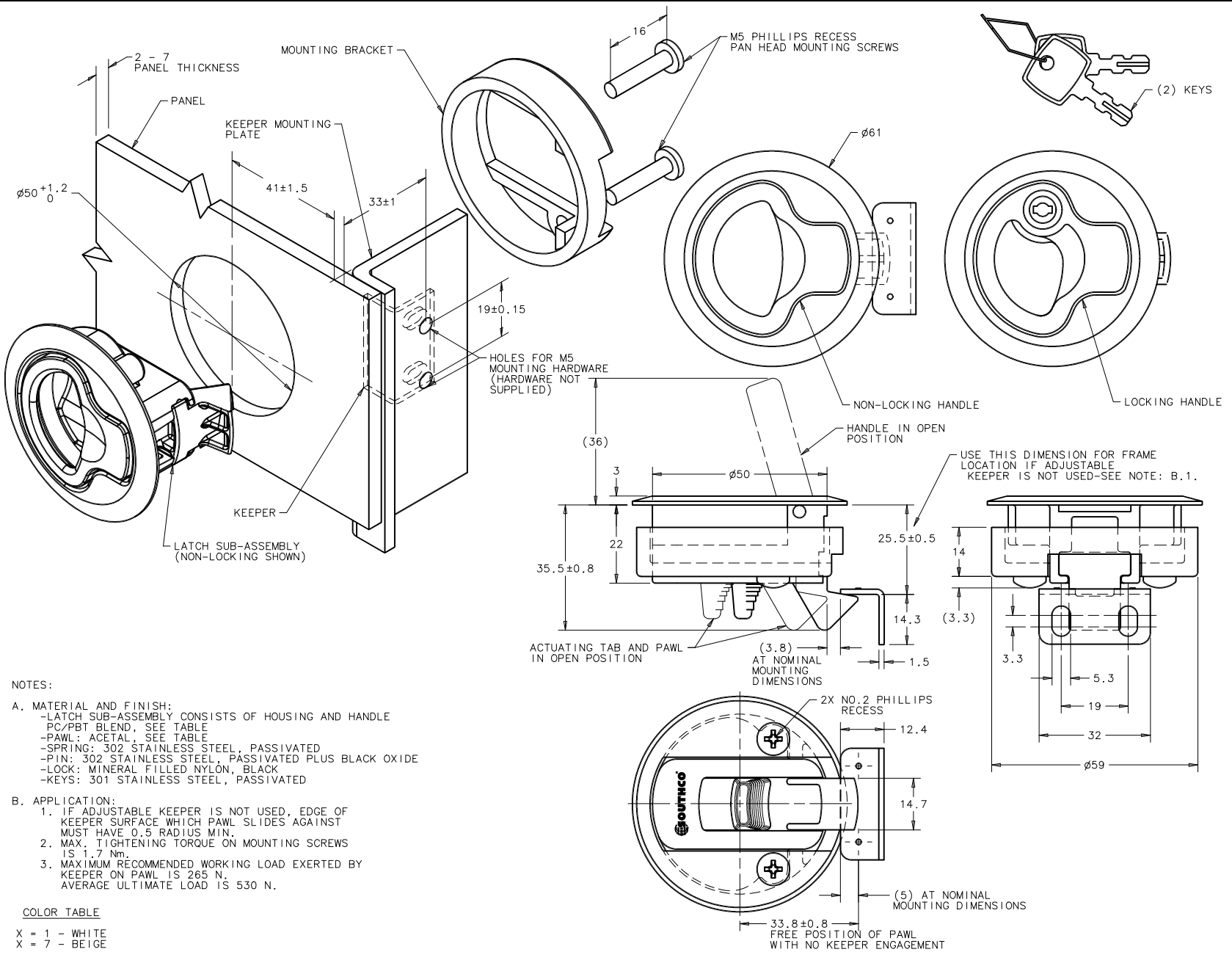


REV.	DATE	DRAWN	R/JB	PRN:	REVISION	ITEM	MATERIAL	FINISH	REMARKS
H	19JAN2002			P2002-0017	ASSEMBLY	M1-41-X	M1-61-X		LOCKABLE
I	05DEC2002			P2002-0935	LATCH SUBASSEMBLY	PC/PBT BLEND		SEE NOTE A	NON-LOCKING
J	17APR2004	AMDY/AJH		P2004-0402	MOUNTING BRACKET	304 STAINLESS STEEL		SEE COLOR TABLE	
					KEEPER	300 SERIES STAINLESS STEEL		PASSIVATED	
					MOUNTING SCREWS (2)				



NOTES:

A. MATERIAL AND FINISH:
 -LATCH SUB-ASSEMBLY CONSISTS OF HOUSING AND HANDLE
 -PC/PBT BLEND, SEE TABLE
 -PAWL: ACETAL, SEE TABLE
 -SPRING: 302 STAINLESS STEEL, PASSIVATED
 -PIN: 302 STAINLESS STEEL, PASSIVATED PLUS BLACK OXIDE
 -LOCK: MINERAL FILLED NYLON, BLACK
 -KEYS: 301 STAINLESS STEEL, PASSIVATED

B. APPLICATION:
 1. IF ADJUSTABLE KEEPER IS NOT USED, EDGE OF KEEPER SURFACE WHICH PAWL SLIDES AGAINST MUST HAVE 0.5 RADIUS MIN.
 2. MAX. TIGHTENING TORQUE ON MOUNTING SCREWS IS 1.7 Nm.
 3. MAXIMUM RECOMMENDED WORKING LOAD EXERTED BY KEEPER ON PAWL IS 265 N, AVERAGE ULTIMATE LOAD IS 530 N.

COLOR TABLE

X = 1	- WHITE
X = 7	- BEIGE