

southco

PROPRIETARY ITEM - EXCEPT FOR USES EXPRESSLY GRANTED IN WRITING INFORMATION DISCLOSED HEREON IS CONFIDENTIAL AND ALL RIGHTS PATENT AND OTHERWISE ARE RESERVED BY SOUTHCO, INC.

LIFT AND TURN COMPRESSION LATCH
NON-LOCKING

DATE	DRAWN	CHKD	SCALE	DRAWING NUMBER
05JUL2007	MJS	JA	3:4	J-N2-2-300

REV	DATE	DRAWN/CHKD	DESCRIPTION	ITEM	PART NUMBER	MATERIAL	FINISH
A	29OCT2008	JSS	PRN:P2008-1172	ASSEMBLY (STEEL)	N2-2-300-01-XX	-	SEE FINISH TABLE
B	13APR2009	ACH/MJS	PRN:P2009-0429	HANDLE	-	ALUMINIUM	SEE FINISH TABLE
C	06JAN2010	ACH/MJS	PRN:P2010-0015	CUP/STUD ASSEMBLY	-	SEE NOTE A	SEE FINISH TABLE
D	28OCT2010	RMD/LBT	PRN:P2010-0818	LOCK PLATE	-	STAINLESS STEEL	SEE FINISH TABLE
E	12NOV2013	CMS/LW	PRN:P2013-2248	SLEEVE	-	STAINLESS STEEL	PASSIVATED
F	27MAY2014	CMS/BGL	PRN:P2014-1016	SLEEVE NUT	-	STAINLESS STEEL	PASSIVATED
G	04MAY2018	CMS/MWD	PRN:P2018-1101	TAB WASHER	-	STAINLESS STEEL	PASSIVATED
				SHAFT	-	STAINLESS STEEL	PASSIVATED
				RIVET PIN	-	STAINLESS STEEL	PASSIVATED
				SPRING	-	STAINLESS STEEL	PASSIVATED
				BRASS WEAR WASHER	-	BRASS	NATURAL
				STOP PIN	-	STAINLESS STEEL	PASSIVATED
				M12 HEX NUT (2)	-	STEEL	ZINC ALLOY PLATE BRIGHT CHROMATE
				M6 HEX NUT (4)	-	STEEL	ZINC ALLOY PLATE BRIGHT CHROMATE
				M12 LOCK WASHER (2)	-	STAINLESS STEEL	PASSIVATED
				M6 LOCK WASHER (4)	-	SPRING STEEL	ZINC ALLOY PLATE BRIGHT CHROMATE
				LUBRICANT	-	SEE NOTE C	BLACK
				M12 PAWL WASHER (2)	-	STAINLESS STEEL	PASSIVATED

AVAILABLE GRIP RANGES
STANDARD PAWLS (SOLD SEPARATELY)

PART NUMBER	GRIP RANGE	PAWL TYPE
N2-21-101-YY	28 - 43	DEEP OFFSET
N2-21-102-YY	43 - 58	OFFSET
N2-21-103-YY	58 - 73	FLAT
N2-21-102-YY	73 - 88	OFFSET
N2-21-101-YY	88 - 104	DEEP OFFSET

MATERIAL

-YY	MATERIAL
-12	STEEL
-24	STAINLESS STEEL

FINISH TABLE

-XX	FINISH
-5	BLACK POWDER COAT

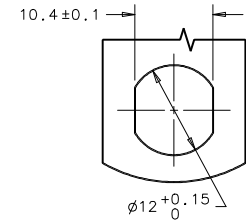
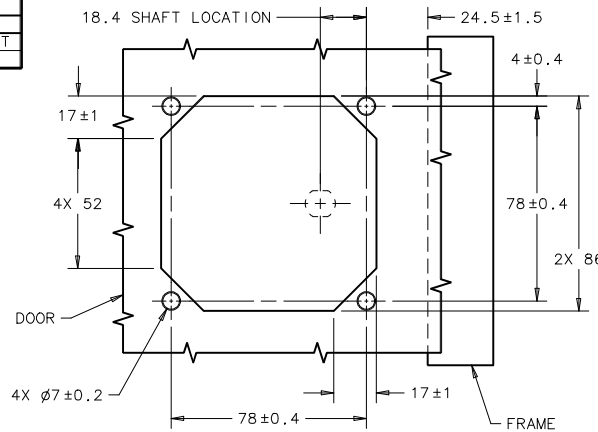
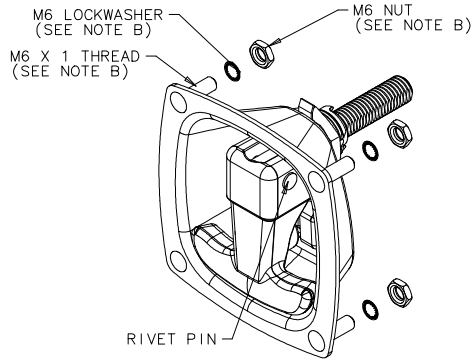
MILLIMETERS

ALL DIMENSIONS WITHOUT TOLERANCES ARE FOR REFERENCE ONLY.

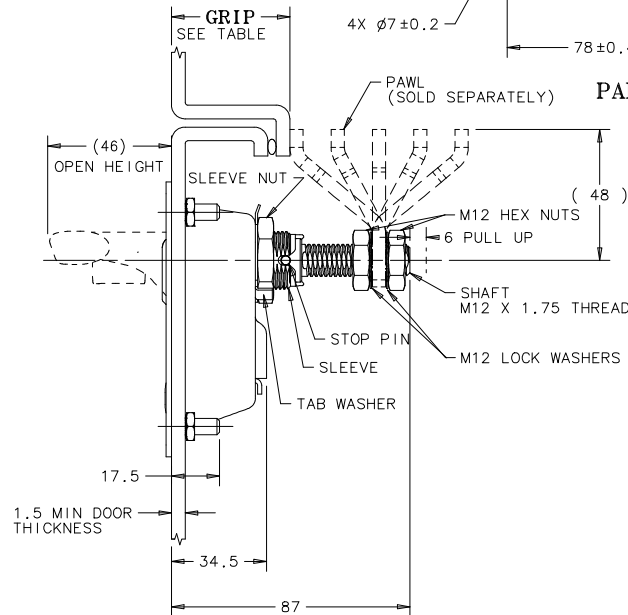
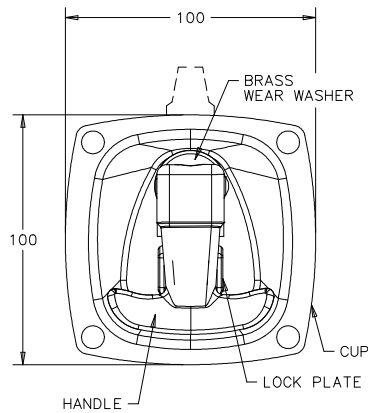


NOTES:

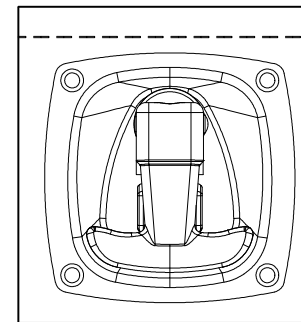
- A. CUP/STUD ASSEMBLY MATERIAL:
CUP: STEEL
STUD: STAINLESS STEEL
- B. INSTALLATION:
1. PLACE LATCH IN PANEL AND USE (4) M6 X 1 NUTS AND (4) M6 LOCK WASHERS AND INSTALL TO A MAXIMUM RECOMMENDED TIGHTENING TORQUE OF 7.2 N·m.
2. FINAL INSTALLATION WILL REQUIRE PROPER ADJUSTMENT TO THE PAWL.
(M12 LOCKNUT TIGHTENING TORQUE: 20-25 N·m)
- 2A. IF USING M12 PAWL WASHERS INSTEAD OF M12 LOCKWASHERS: AFTER PAWL IS ADJUSTED, BEND TABS OF M12 PAWL WASHERS OVER M12 LOCK NUTS.
- C. LUBRICANT MATERIAL: OIL BASED GREASE WITH MOLYBDENUM DISULFIDE ADDITIVES.
- D. PACKAGING:
LATCH AND HARDWARE PACK IS PACKAGED IN PLASTIC BAG, PACKED TOGETHER IN SMALL CARDBOARD BOX.
18 ASSEMBLIES PER CARDBOARD CONTAINER.
WHEN ORDERING, SPECIFY QTY. IN MULTIPLES OF 18.



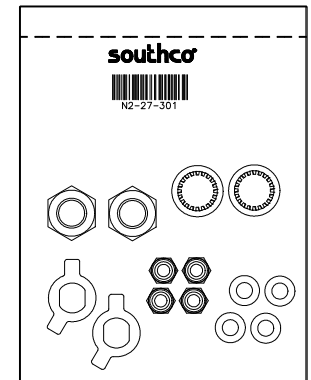
PAWL THRU HOLE PREPARATION
(SCALE 1.5:1)



PANEL PREPARATION
(SCALE 1:2)



PACKAGING



southco

PROPRIETARY ITEM - EXCEPT FOR USES EXPRESSLY GRANTED IN WRITING INFORMATION DISCLOSED HEREON IS CONFIDENTIAL AND ALL RIGHTS PATENT AND OTHERWISE ARE RESERVED BY SOUTHCO, INC.

LIFT AND TURN COMPRESSION LATCH
NON-LOCKING

DATE	DRAWN	CHKD	SCALE	DRAWING NUMBER
05JUL2007	MJS	JA	3:4	J-N2-2-300

REV	DATE	DRAWN/CHKD	DESCRIPTION	ITEM	PART NUMBER	MATERIAL	FINISH
A	29OCT2008	JSS	PRN:P2008-1172	ASSEMBLY (SS)	N2-2-300-01-XX	-	SEE FINISH TABLE
B	13APR2009	ACH/MJS	PRN:P2009-0429	HANDLE	-	STAINLESS STEEL	SEE FINISH TABLE
C	06JAN2010	ACH/MJS	PRN:P2010-0015	CUP/STUD ASSEMBLY	-	SEE NOTE A	SEE FINISH TABLE
D	28OCT2010	RMD/LBT	PRN:P2010-0818	LOCK PLATE	-	STAINLESS STEEL	SEE FINISH TABLE
E	12NOV2013	CMS/LW	PRN:P2013-2248	SLEEVE	-	STAINLESS STEEL	PASSIVATED
F	27MAY2014	CMS/BGL	PRN:P2014-1016	SLEEVE NUT	-	STAINLESS STEEL	PASSIVATED
G	04MAY2018	CMS/MWD	PRN:P2018-1101	TAB WASHER	-	STAINLESS STEEL	PASSIVATED
				SHAFT	-	STAINLESS STEEL	PASSIVATED
				RIVET PIN	-	STAINLESS STEEL	PASSIVATED
				SPRING	-	STAINLESS STEEL	PASSIVATED
				BRASS WEAR WASHER	-	BRASS	NATURAL
				STOP PIN	-	STAINLESS STEEL	PASSIVATED
				M12 HEX NUT (2)	-	STAINLESS STEEL	PASSIVATED
				M6 HEX NUT (4)	-	STAINLESS STEEL	PASSIVATED
				M12 LOCK WASHER (2)	-	STAINLESS STEEL	PASSIVATED
				M6 LOCK WASHER (4)	-	STAINLESS STEEL	PASSIVATED
				LUBRICANT	-	SEE NOTE C	BLACK
				M12 PAWL WASHER (2)	-	STAINLESS STEEL	PASSIVATED


AVAILABLE GRIP RANGES
STANDARD PAWLS (SOLD SEPARATELY)

PART NUMBER	GRIP RANGE	PAWL TYPE
N2-21-101-YY	28 - 43	DEEP OFFSET
N2-21-102-YY	43 - 58	OFFSET
N2-21-103-YY	58 - 73	FLAT
N2-21-102-YY	73 - 88	OFFSET
N2-21-101-YY	88 - 104	DEEP OFFSET

MATERIAL	FINISH TABLE
-YY	MATERIAL
-12	STEEL
-24	STAINLESS STEEL
-XX	FINISH
-20	POLISHED STAINLESS

MILLIMETERS

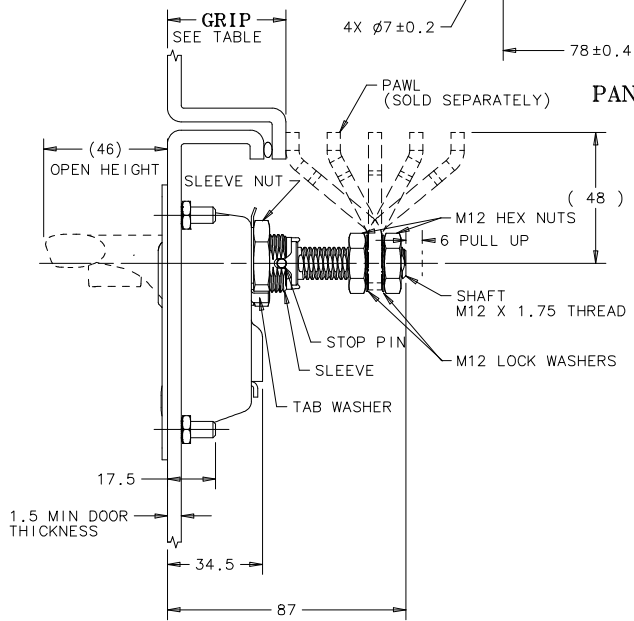
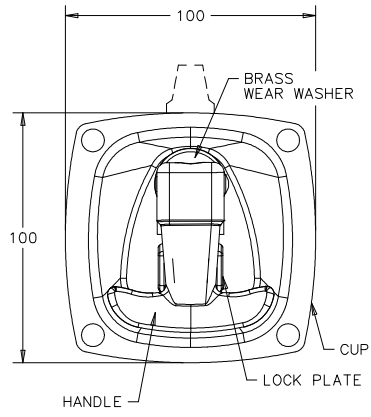
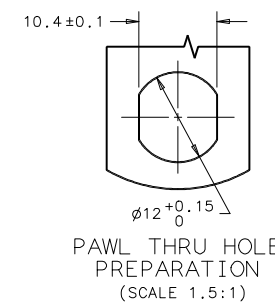
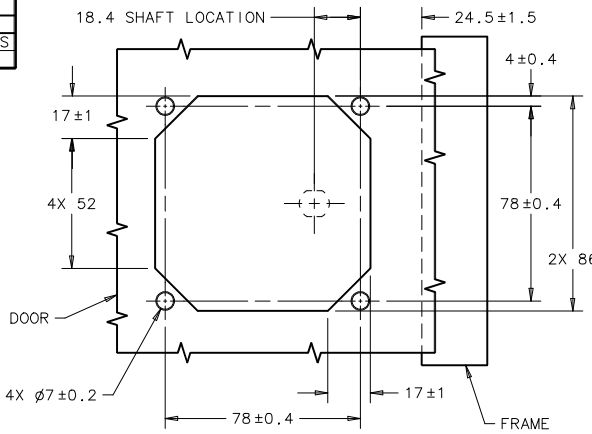
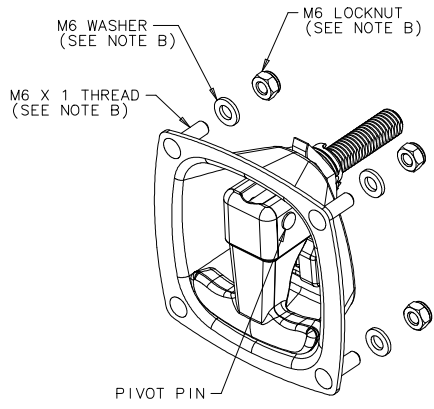
ALL DIMENSIONS WITHOUT TOLERANCES ARE FOR REFERENCE ONLY.



THIRD ANGLE PROJECTION

A3 PAPER SIZE

- NOTES:
- PAGE 2 OF 2
- CUP/STUD ASSEMBLY MATERIAL:
CUP: STAINLESS STEEL
STUD: STAINLESS STEEL
 - INSTALLATION:
1. PLACE LATCH IN PANEL AND USE (4) M6 X 1 LOCKNUTS AND (4) M6 WASHERS AND INSTALL TO A MAXIMUM RECOMMENDED TIGHTENING TORQUE OF 7.2 N·m.
2. FINAL INSTALLATION WILL REQUIRE PROPER ADJUSTMENT TO THE PAWL.
(M12 LOCKNUT TIGHTENING TORQUE: 20-25 N·m)
 - LUBRICANT MATERIAL: OIL BASED GREASE WITH MOLYBDENUM DISULFIDE ADDITIVES.
 - PACKAGING:
LATCH AND HARDWARE PACK IS PACKAGED IN PLASTIC BAG, PACKED TOGETHER IN SMALL CARDBOARD BOX.
18 ASSEMBLIES PER CARDBOARD CONTAINER.
WHEN ORDERING, SPECIFY QTY. IN MULTIPLES OF 18.



PANEL PREPARATION (SCALE 1:2)

