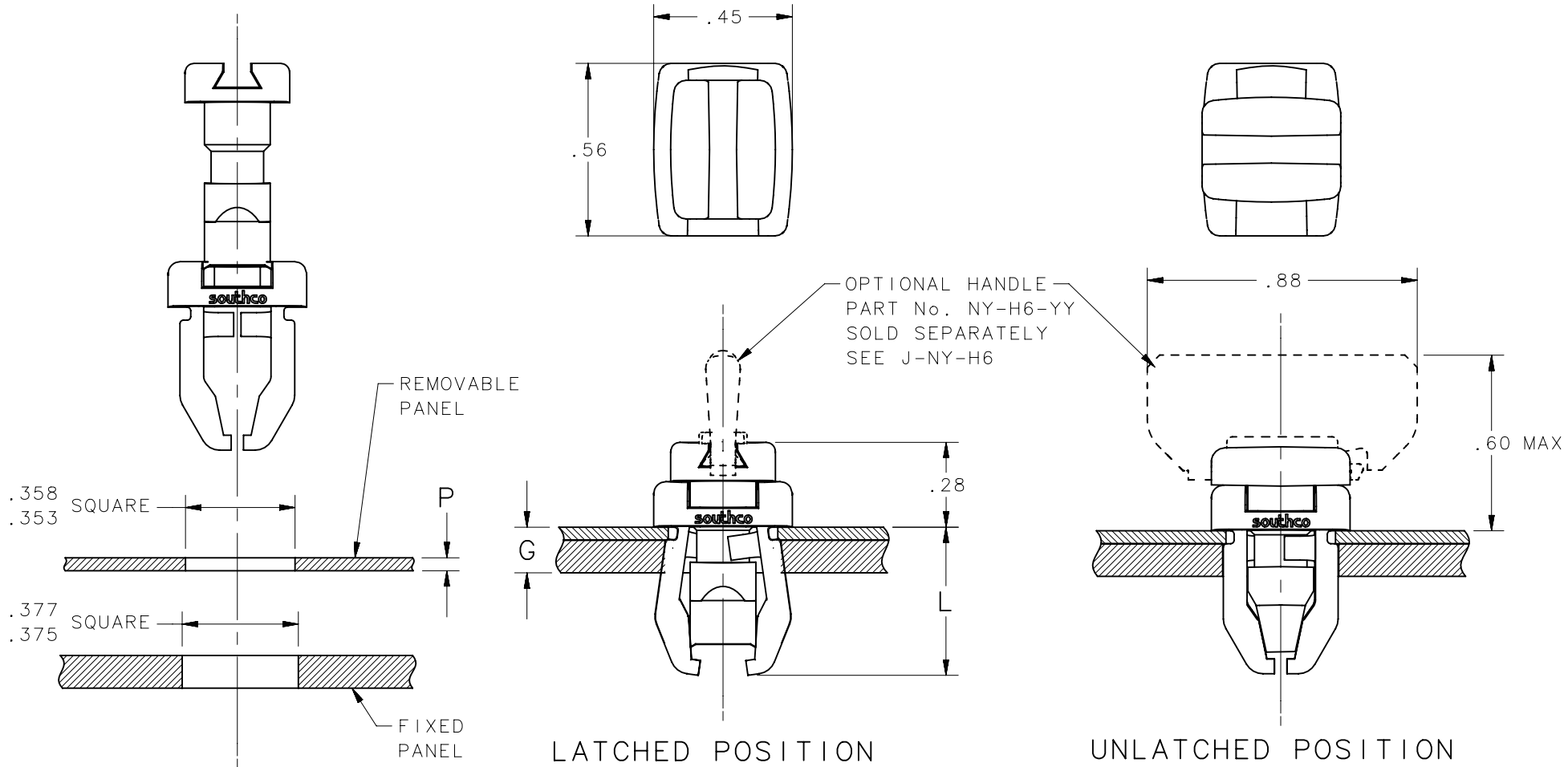


NOTES:

A. CORNER RADII ON SQUARE HOLES TO BE R.015 MAX.

REVISION HISTORY			
REV	DATE	BY	DESCRIPTION
C	30APR2019	CMS/CTG	PRN: P2019-1127



PART NUMBER	G		P <sub>MAX</sub>	L <sub>MAX</sub>
	MIN	MAX		
NY-N6-1-YY	.059	.148	.042	.50
NY-N6-2-YY	.076	.165	.057	.51
NY-N6-3-YY	.118	.207	.098	.55
NY-N6-4-YY	.182	.271	.162	.62

YY	COLOR AND MATERIAL
10	WHITE POLYCARBONATE (UL94VO)
20	BLACK POLYCARBONATE (UL94VO)

	THIRD ANGLE PROJECTION
	INCHES [MM]
	TOLERANCES UNLESS OTHERWISE NOTED
	ALL DIMENSIONS WITHOUT TOLERANCES ARE FOR REFERENCE ONLY.
PROPRIETARY ITEM	
EXCEPT FOR USES EXPRESSLY GRANTED IN WRITING, INFORMATION DISCLOSED HEREON IS CONFIDENTIAL AND ALL RIGHTS, PATENT AND OTHERWISE, ARE RESERVED BY SOUTHCO, INC.	
	PER ASME Y14.5M-1994

<b>southco</b> <sup>®</sup>			
CONNECT • CREATE • INNOVATE			
DESCRIPTION NYLATCH™ PANEL FASTENER 1/4-TURN			
SIZE A	SYSTEM NX	DWG NO. J-NY-N6	
DRAWN BY TMS/	DATE 26AUG2008	SCALE 2:1	SHEET 1 of 1