



No. 57 SPRING LATCH-FLUSH HEAD, RIVET TYPE, SMOOTH SPRING.

DATE	DRAWN	CHKD	SCALE	DRAWING NUMBER
10-1-71	ACZ	RHB	2 : 1	J-57-30-101-10

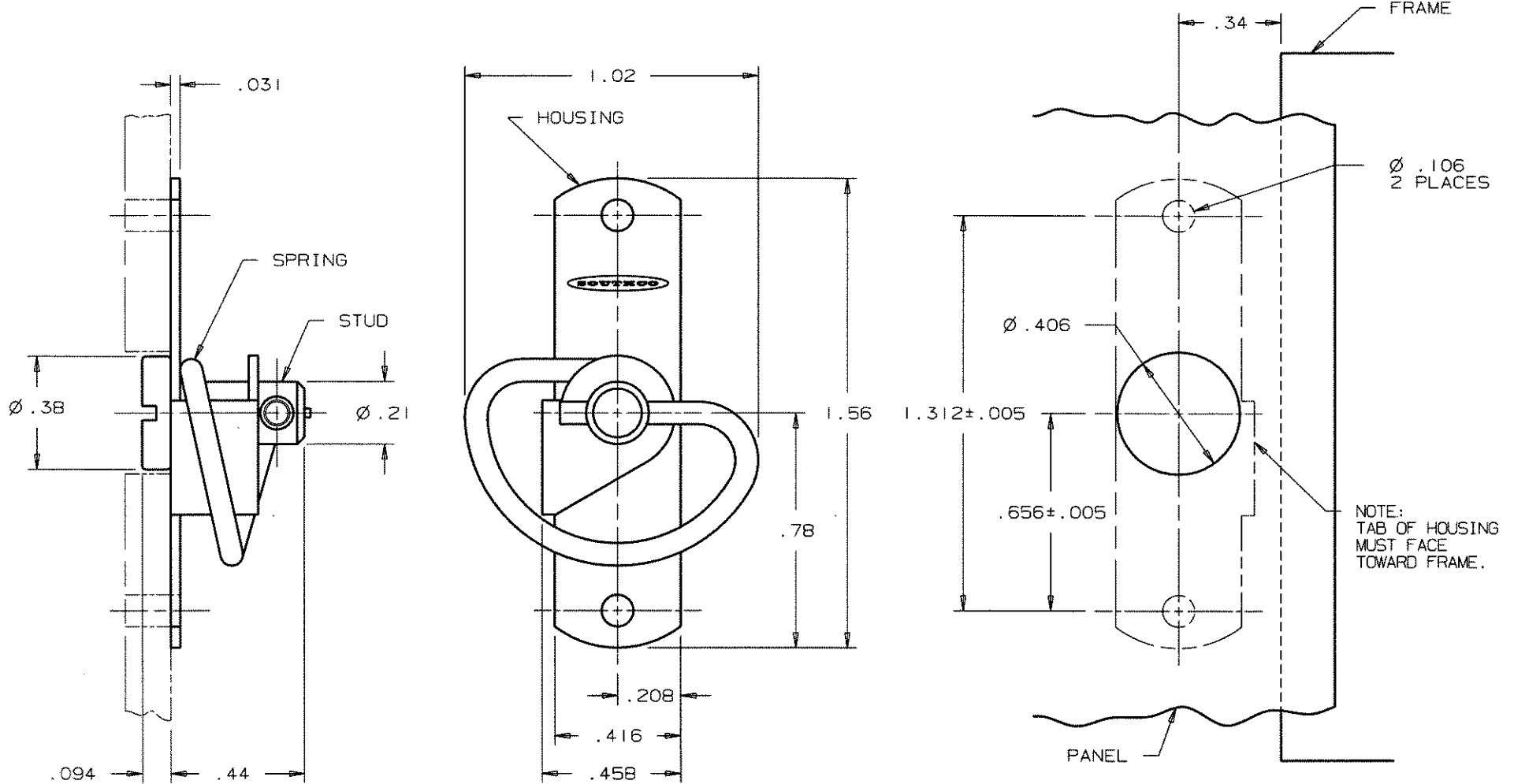
REV.	DATE	BY-CHKD	REVISIONS	ITEM	COMPONENT	PART No.	MATERIAL	FINISH
E	4-5-82	AJF	PRN: S-1-01	ASSEMBLY		57-30-101-10		
F	4-29-91	JRP	PRN: 57-110		STUD		LOW CARBON STEEL	SEE NOTE A
G	16DEC94	MPF	PRN: 57-147		SPRING		TYPE 302 STAINLESS STEEL	PASSIVATE
					HOUSING		1010 STEEL	ZINC PL. BRIGHT

NOTES:

1) ALLOWABLE FRAME THICKNESS .05 MIN, .25 MAX

FINISH NOTES:

A. ZINC ALLOY PLATE, BRIGHT CHROMATE PLUS SEALER FRAME



PROPRIETARY ITEM - EXCEPT FOR USES EXPRESSLY GRANTED IN WRITING INFORMATION DISCLOSED HEREON IS CONFIDENTIAL AND ALL RIGHTS PATENT AND OTHERWISE ARE RESERVED BY SOUTHCO, INC.

DRAWING NUMBER

J-57-30-101-10