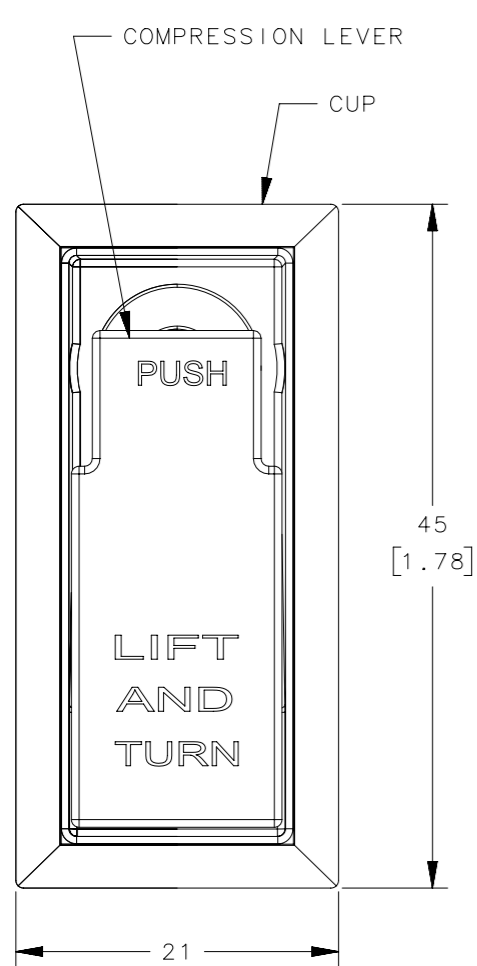
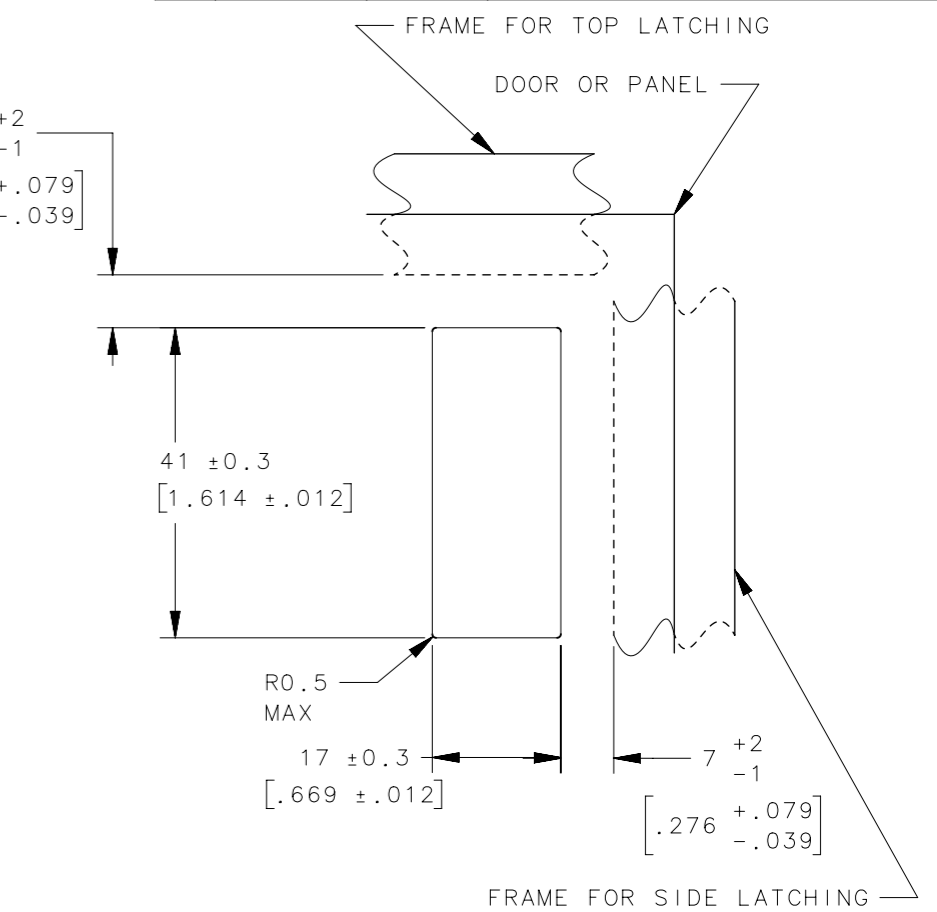
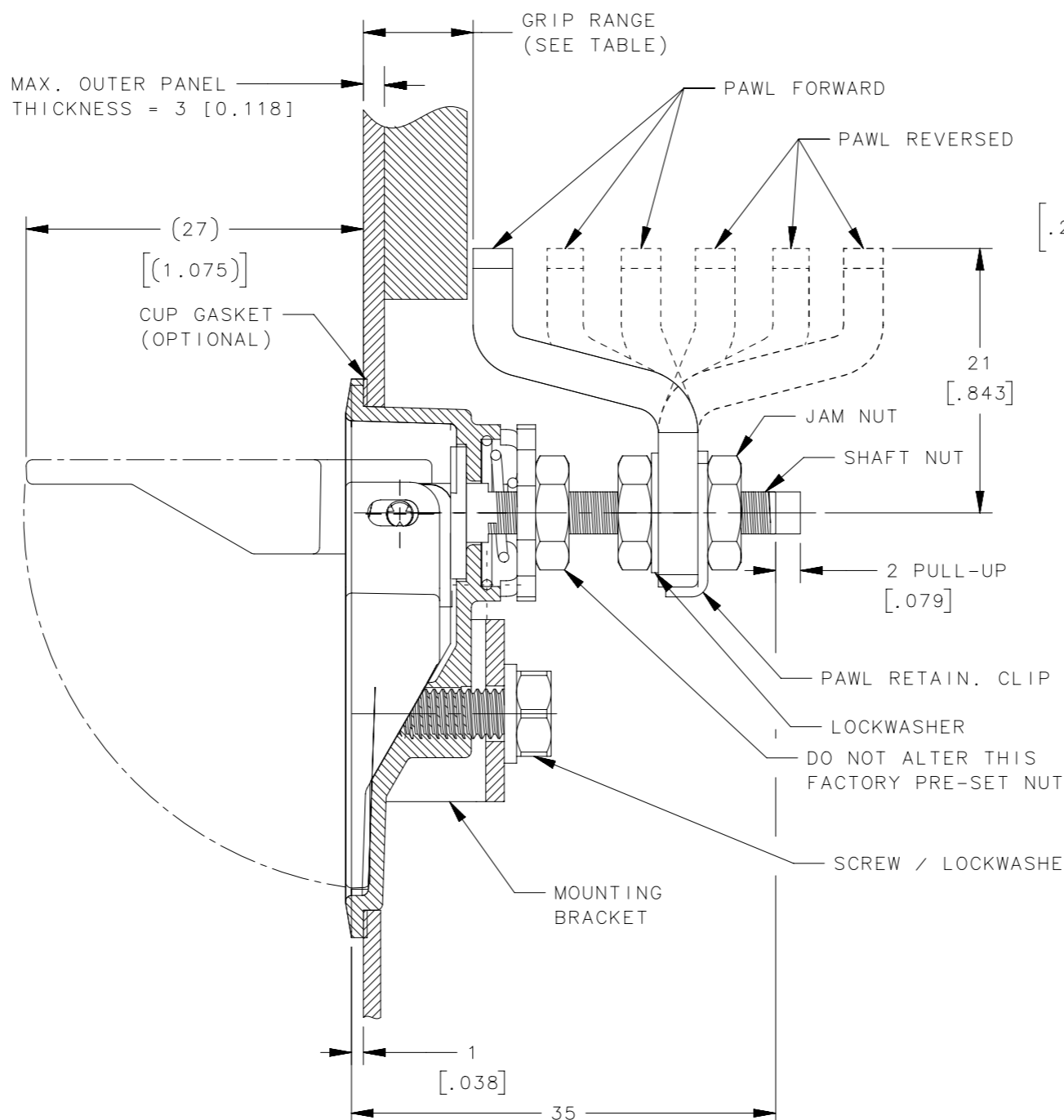


REVISION HISTORY			
REV	DATE	BY	DESCRIPTION
H	08MAR2021	KSH/VK	PRN: P2021-0424



PANEL PREPARATION

GRIP		ASSEMBLY PART NUMBER TABLE		
MIN	MAX	POLISHED CHROME	BRUSHED CHROME	BLACK POWDER COATED
4.5	10.5	62-70-11	62-70-12	62-70-15
10.5	16.5	62-70-21	62-70-22	62-70-25
16.5	22.5	62-70-31	62-70-32	62-70-35
22.5	28.5	62-70-31	62-70-32	62-70-35
28.5	34.5	62-70-21	62-70-22	62-70-25
34.5	40.5	62-70-11	62-70-12	62-70-15

NOTES:

1. THREAD SIZE OF SHAFT IS M5 AND THE SCREW / LOCKWASHER ASSEMBLY IS M4.
2. THICKER PANELS REQUIRE A LONGER SCREW / LOCKWASHER COMBINATION (NOT SUPPLIED)
3. ASSEMBLE AS SHOWN AND ROTATE PAWL TO THE DESIRED LATCHING POSITION.
4. PAWL SHOULD BE ADJUSTED TO GRIP MEASUREMENT WITH THE DOOR OPEN AND THE HANDLE IN THE LATCHED POSITION. USE TWO WRENCHES TO TIGHTEN.

MATERIAL AND FINISH:

COMPRESSION LEVER & CUP: DIE CAST ZINC, SEE TABLE.
 SHAFT: STEEL, ZINC PLATE, BLACK CHROMATE PLUS SEALER.
 CAM: 1010 STEEL, ZINC PLATE, PLUS SEALER OR WITH BLACK ORGANIC COATING.
 PIN: 1112 STEEL, ZINC PLATED YELLOW.
 WASHER: 1010 STEEL, ZINC PLATED BRIGHT OR BLACK OXIDE.
 SPRING: 302 STAINLESS STEEL, PASSIVATED.
 BEARING WASHER, PAWL, PAWL RETAINING CLIP & BRACKET: 1010 STEEL, ZINC PLATE PLUS SEALER.
 LOCKWASHER: SPRING STEEL, ZINC PLATE, PLUS SEALER.
 NUTS AND SCREW / LOCKWASHER ASS'Y: LOW CARBON STEEL, ZINC PLATE, PLUS SEALER.

FOR DUST AND MOISTURE SEALED MODELS:
 CUP GASKET & SEALING WASHER: SYNTHETIC RUBBER, BLACK.

NOTE: FOR AN ASSEMBLY WITH A DUST & MOISTURE SEAL, CHANGE THE FOURTH DIGIT OF THE PART NUMBER TO 4.

62-70-XX		PART NUMBER	
CPB NUMBER STANDARD	THIRD ANGLE PROJECTION	 CONNECT • CREATE • INNOVATE	
	MILLIMETERS [IN]		
	TOLERANCES UNLESS OTHERWISE NOTED	DESCRIPTION No. 62-70 SERIES LATCH ASSEMBLY	
	ALL DIMENSIONS WITHOUT TOLERANCES ARE FOR REFERENCE ONLY.	SIZE A3	SYSTEM NX
PROPRIETARY ITEM EXCEPT FOR USES EXPRESSLY GRANTED IN WRITING, INFORMATION DISCLOSED HEREON IS CONFIDENTIAL AND ALL RIGHTS, PATENT AND OTHERWISE, ARE RESERVED BY SOUTHCO, INC.	PER ASME Y14.5M-1994	DWG NO. J-62-70	DATE 04NOV1992
		SCALE 1:1	SHEET 1 OF 1