

GENERAL PERFORMANCE GUIDELINES

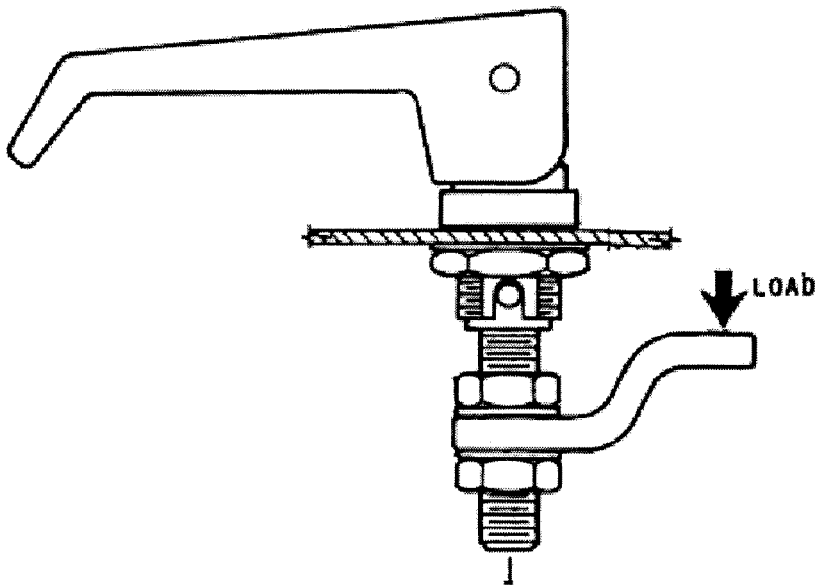
The information shown on this page was determined under one set of test conditions and is supplied as a general guide only, as conditions vary with each application. No safety factor has been applied.

We recommend that the user test the product under conditions that it will experience in actual service to determine its suitability for the intended use.

Maximum Working Load is the maximum load that the product will withstand without affecting the operation or appearance of the product.

The Average Ultimate Load causes failure of the product or sufficient deformation to make the product inoperable.

No. 62 Lift and Turn - 300 Series



MAXIMUM WORKING LOAD 150 LBS(666 N)
AVERAGE ULTIMATE LOAD 250 LBS(1110 N)

DATE 2/88
DRAWING MJK
CHG ACZ
SCALE
DRAWING NUMBER TD - 62 - 11-J
No. 62 FASTENER - 300 SERIES
southco®

DRAWING NUMBER TD - 62 - 11-J
PROPRIETARY ITEM—EXCEPT FOR USES EXPRESSLY GRANTED IN WRITING, INFORMATION DISCLOSED HEREON IS CONFIDENTIAL AND ALL RIGHTS, PATENT AND OTHERWISE, ARE RESERVED BY SOUTHCO, INC.