

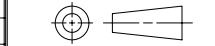

southco[®]

PROPRIETARY ITEM - EXCEPT FOR USES EXPRESSLY GRANTED IN WRITING INFORMATION DISCLOSED HEREON IS CONFIDENTIAL AND ALL RIGHTS PATENT AND OTHERWISE ARE RESERVED BY SOUTHCO, INC.

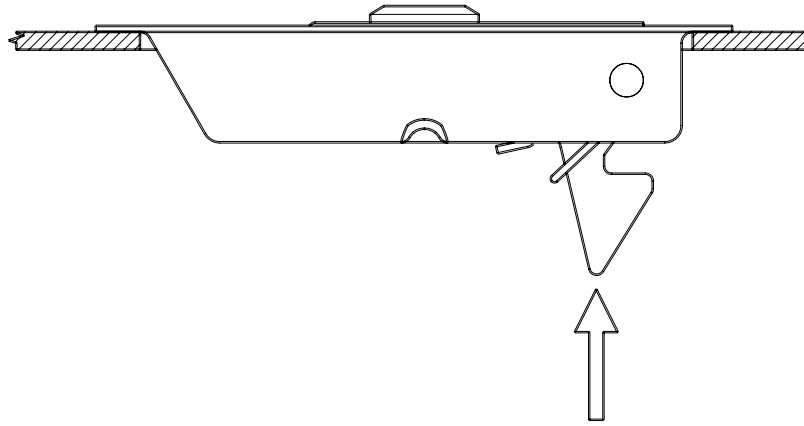
No. 64 PADDLE LATCH

DATE	DRAWN	CHKD	SCALE	DRAWING NUMBER
07MAR2006	MJS	TLK	.5:1	TD-64-60-J

REV	DATE	DRAWN/CHKD	DESCRIPTION								

 THIRD ANGLE PROJECTION  A4 PAPER SIZE

SOUTHCO PERFORMANCE GUIDELINES
THE PERFORMANCE GUIDELINES SHOWN ON THIS PAGE ARE SUPPLIED AS A GENERAL GUIDE ONLY, AS CONDITIONS VARY WITH EACH APPLICATION AND METHOD OF INSTALLATION. STRENGTH DATA GIVEN IS FOR FAILURE OF THE PRODUCT OR FOR SUFFICIENT DEFORMATION TO MAKE PRODUCT INOPERABLE. NO SAFETY FACTOR HAS BEEN APPLIED. IT IS RECOMMENDED THAT THE USER REQUEST A PRODUCT SAMPLE FOR TESTING TO DETERMINE THE SUITABILITY OF THE PRODUCT FOR THE PURPOSE INTENDED AND USER'S PARTICULAR APPLICATION.



PART NUMBER	MAXIMUM STATIC LOAD	AVERAGE ULTIMATE LOAD
64-60-5XX-XX	2,700 N (607 LBS)	5,000 N (1125 LBS)

- ① MAXIMUM STATIC LOAD - is the recommended load after a one time application and removal of which the product continues to function properly.
- ② AVERAGE ULTIMATE LOAD - is the load that causes failure or excessive deformation which renders the product inoperable.
- ③ Overloading the fastener beyond these conditions is not recommended.