
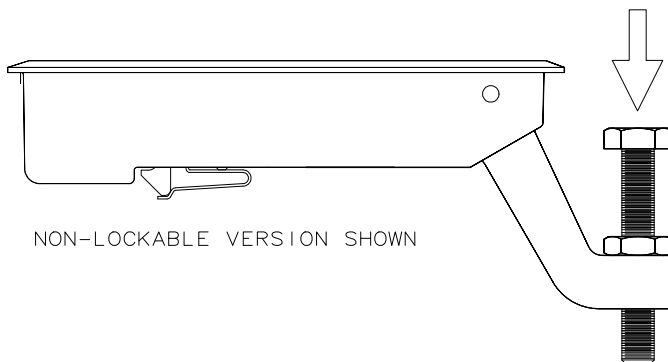


REV	DATE	09APR2002	DRAWN/CHKD	GDM	DESCRIPTION	UPDATE FORMAT	SOUTHCO No. C2 LEVER LATCH	DATE	26 FEB 85	DRAWN	RJB	CHKD	SCALE	NTS	DRAWING NUMBER	TD-C2-01-J
	F															
PROPRIETARY ITEM - EXCEPT FOR USES EXPRESSLY GRANTED IN WRITING INFORMATION DISCLOSED HEREON IS CONFIDENTIAL AND ALL RIGHTS PATENT AND OTHERWISE ARE RESERVED BY SOUTHCO, INC.																
THIRD ANGLE PROJECTION 																
A PAPER SIZE																

SOUTHCO PERFORMANCE GUIDELINES

THE PERFORMANCE GUIDELINES SHOWN ON THIS PAGE ARE SUPPLIED AS A GENERAL GUIDE ONLY. AS CONDITIONS VARY WITH EACH APPLICATION AND METHOD OF INSTALLATION, STRENGTH DATA GIVEN IS FOR FAILURE OF THE PRODUCT OR FOR SUFFICIENT DEFORMATION TO MAKE PRODUCT INOPERABLE. NO SAFETY FACTOR HAS BEEN APPLIED. IT IS RECOMMENDED THAT THE USER REQUEST A PRODUCT SAMPLE FOR TESTING TO DETERMINE THE SUITABILITY OF THE PRODUCT FOR THE PURPOSE INTENDED AND USER'S PARTICULAR APPLICATION.



NON-LOCKABLE VERSION SHOWN

No. C2 LEVER LATCH

PART NUMBERS		WORKING LOAD	ULTIMATE LOAD
C2-3-X	C2-4-X	1335 N (300 LBS)	3115 N (700 LBS)
C2-L3-X	C2-L4-X		
C2-10-301-XX	C2-5-X	1335 N (300 LBS)	2170 N (488 LBS)
C2-20-301-XX	C2-L5-X		
C2-10-302-XX	C2-6-X	1335 N (300 LBS)	2170 N (488 LBS)
C2-20-302-XX	C2-L6-X		