
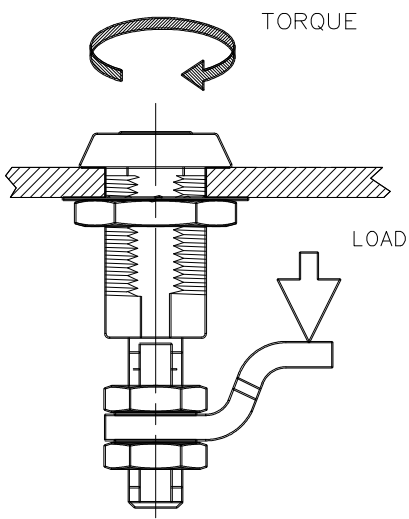


<b>southco</b>	PROPRIETARY ITEM - EXCEPT FOR USES EXPRESSLY GRANTED IN WRITING INFORMATION DISCLOSED HEREON IS CONFIDENTIAL AND ALL RIGHTS PATENT AND OTHERWISE ARE RESERVED BY SOUTHCO, INC.		E3 VISE ACTION™ COMPRESSION LATCH ASSEMBLY, SINGLE HOLE MOUNT, INTERNATIONAL SERIES, STAINLESS STEEL		DATE	DRAWN	CHKD	SCALE	DRAWING NUMBER
	REV	DATE	DESCRIPTION	PART NUMBER	MATERIAL	FINISH			TD-E3-10-J
	B	14JUL2011	ACH/MG	PRN: P2011-0842					
	C	23SEP2013	CMS/DGJ	PRN: P2013-1903					
D	18OCT2022	CMS/JDC	PRN: P2022-1846						
								MILLIMETERS	
								 THIRD ANGLE PROJECTION	
								A4 PAPER SIZE	

SOUTHCO PERFORMANCE GUIDELINES  
 THE PERFORMANCE GUIDELINES SHOWN ON THIS PAGE ARE SUPPLIED AS A GENERAL GUIDE ONLY, AS CONDITIONS VARY WITH EACH APPLICATION AND METHOD OF INSTALLATION. STRENGTH DATA GIVEN IS FOR FAILURE OF THE PRODUCT OR FOR SUFFICIENT DEFORMATION TO MAKE PRODUCT INOPERABLE. NO SAFETY FACTOR HAS BEEN APPLIED IT IS RECOMMENDED THAT THE USER REQUEST A PRODUCT SAMPLE FOR TESTING TO DETERMINE THE SUITABILITY OF THE PRODUCT FOR THE PURPOSE INTENDED AND USER'S PARTICULAR APPLICATION.



PART NUMBERS:            E3-1W-X2                    E3-22W-X2  
                                   E3-1W-X12                 E3-22W-X12

COMPRESSIVE STRENGTH - Maximum WORKING LOAD<sup>①</sup>: 556 N / 125 LBF  
 Average ULTIMATE LOAD<sup>②</sup>: 2355 N / 530 LBF

TORQUE LIMITS - To develop a compressive force on the pawl of 445 N / 100 lbs., an operating torque of 7.3 N-m / 65 in.-lbf was required to lock the fastener.<sup>③</sup>

RECOMMENDED TIGHTENING TORQUE - MOUNTING NUT: 20 N.m (177 in.-lbf)

CYCLE TEST - 10,000 CYCLES WITH 450N LOAD ON PAWL

- ① WORKING LOAD is the maximum force that the product will withstand without affecting the operation or appearance of the product.
- ② Average ULTIMATE LOAD causes failure of the product or sufficient deformation to make the product inoperable.
- ③ Overloading the fastener beyond these conditions is not recommended.