

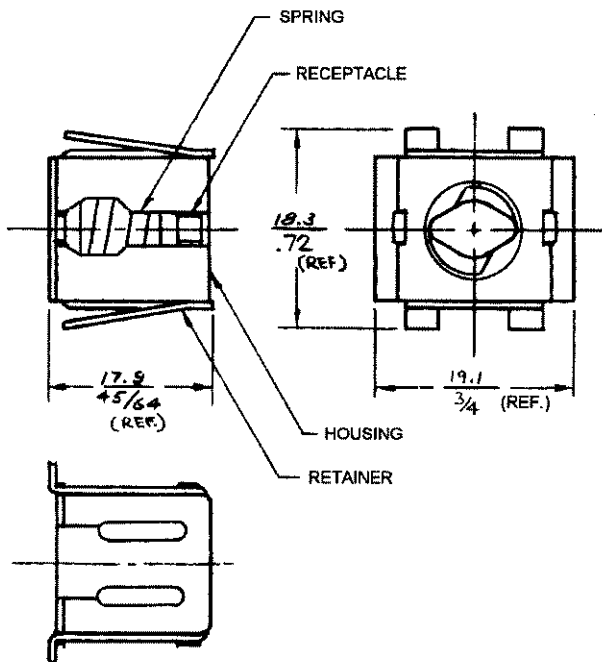


SOUTHCO No.85 SNAP-IN RECEPTACLE

DATE	DRAWN	CHKD	SCALE	DRAWING NUMBER
11-3-76	RHB		N.T.S.	J-85-35-309-56

REV. LET	DATE	BY-CHKD	REVISIONS	ITEM	PART No.	MATERIAL	FINISH	R.S.	DATE	APP
H	07SEP93	MPF	PRN S-99-1-N-1	ASSEMBLY	85-35-309-56	---	---	A	11-3-76	AWB
I	25APR94	RG	PRN: 85-240	RETAINER	---	STAINLESS STEEL	NATURAL	B		
J	06DEC76	JAC	PRN: S-1-06A	HOUSING	---	STAINLESS STEEL	NATURAL	C		
K	18FEB97	SWD	PRN: 85-279	RECEPTACLE	---	CASE HARDENED STEEL	SEE NOTE "A"	D		
				SPRING	---	STAINLESS STEEL	PASSIVATE			

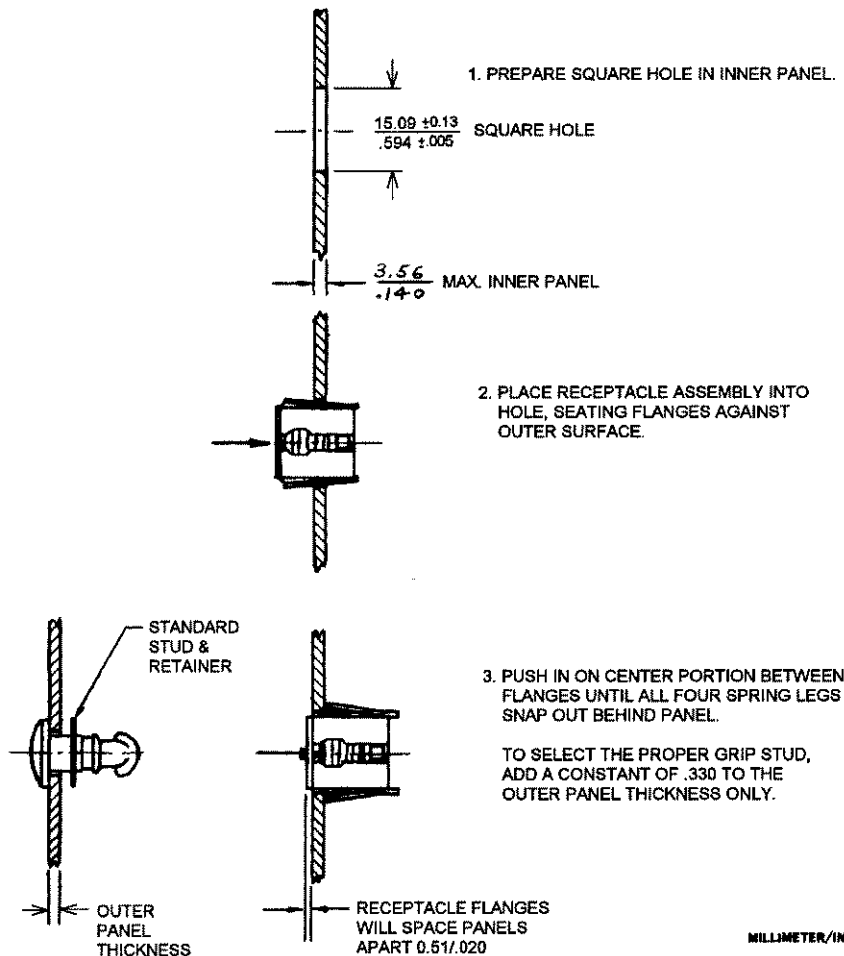
RECEPTACLE ASSEMBLY



U.S. PAT No. 4,128,923

NOTE "A" - ZINC PLATE CHROMATE PLUS SEALER.

INSTALLATION INSTRUCTIONS



MILLIMETER/INCH

MILLIMETER
INCH

PROPRIETARY ITEM - EXCEPT FOR USES EXPRESSLY GRANTED IN WRITING. INFORMATION DISCLOSED HEREON IS CONFIDENTIAL AND ALL RIGHTS, PATENT AND OTHERWISE, ARE RESERVED BY SOUTHCO, INC.

TOLERANCE UNLESS OTHERWISE NOTED
 * METRIC MM - TWO PLACE (XX) ± 0.25 ONE PLACE (X) ± 0.6
 INCH - DECIMALS ± .010 FRACTIONS ± .025 ANGLES ± 1°

DRAWING NUMBER

J-85-35-309-56