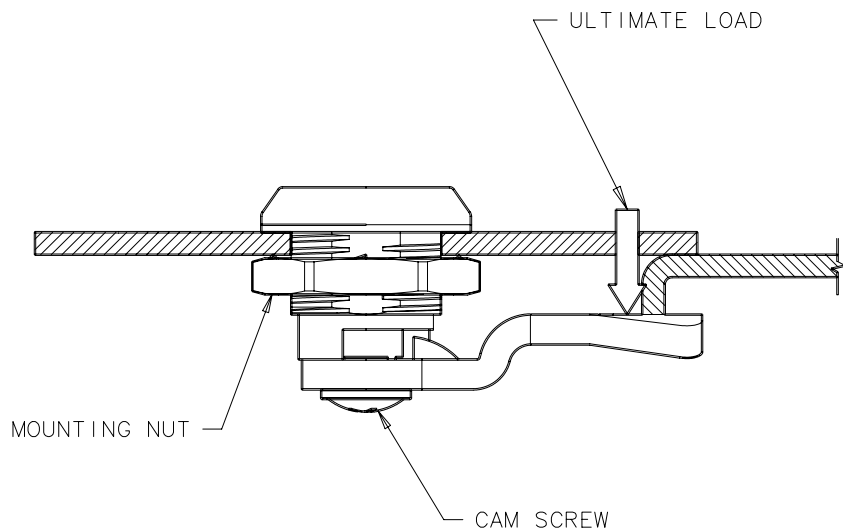


REV	DATE	DRAWN/CHKD	DESCRIPTION						



A4  
PAPER  
SIZE

SOUTHCO PERFORMANCE GUIDELINES  
THE PERFORMANCE GUIDELINES SHOWN ON THIS PAGE ARE SUPPLIED AS A GENERAL GUIDE ONLY, AS CONDITIONS VARY WITH EACH APPLICATION AND METHOD OF INSTALLATION. STRENGTH DATA GIVEN IS FOR FAILURE OF THE PRODUCT OR FOR SUFFICIENT DEFORMATION TO MAKE PRODUCT INOPERABLE. NO SAFETY FACTOR HAS BEEN APPLIED IT IS RECOMMENDED THAT THE USER REQUEST A PRODUCT SAMPLE FOR TESTING TO DETERMINE THE SUITABILITY OF THE PRODUCT FOR THE PURPOSE INTENDED AND USER'S PARTICULAR APPLICATION.



TEST DESCRIPTION	E5-6-XX3-XX1
AVERAGE ULTIMATE LOAD ①	400 N (90 lbs.)
MAXIMUM RECOMMENDED MOUNTING NUT TIGHTENING TORQUE ②	4.25 N•m (38 in•lb.)
MAXIMUM RECOMMENDED CAM SCREW TIGHTENING TORQUE ③	3.1 N•m (27 in•lb.)

- ① ULTIMATE LOAD MEASURED 10 mm FROM OUTER EDGE OF CAM. MEASUREMENT WAS TAKEN AT AMBIENT TEMPERATURE. ULTIMATE LOAD CAUSES FAILURE OF THE PRODUCT OR SUFFICIENT DEFORMATION TO MAKE THE PRODUCT INOPERABLE.
- ② FAILURE OCCURED WHEN THE THREADS ON THE HOUSING STRIPPED.
- ③ FAILURE OCCURED WHEN THE PHILLIPS RECESS STRIPPED.