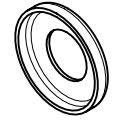
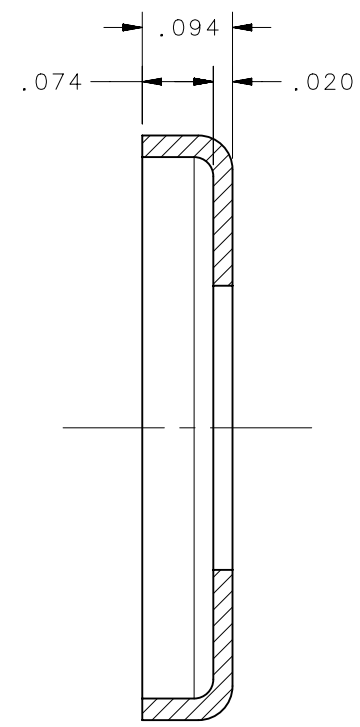
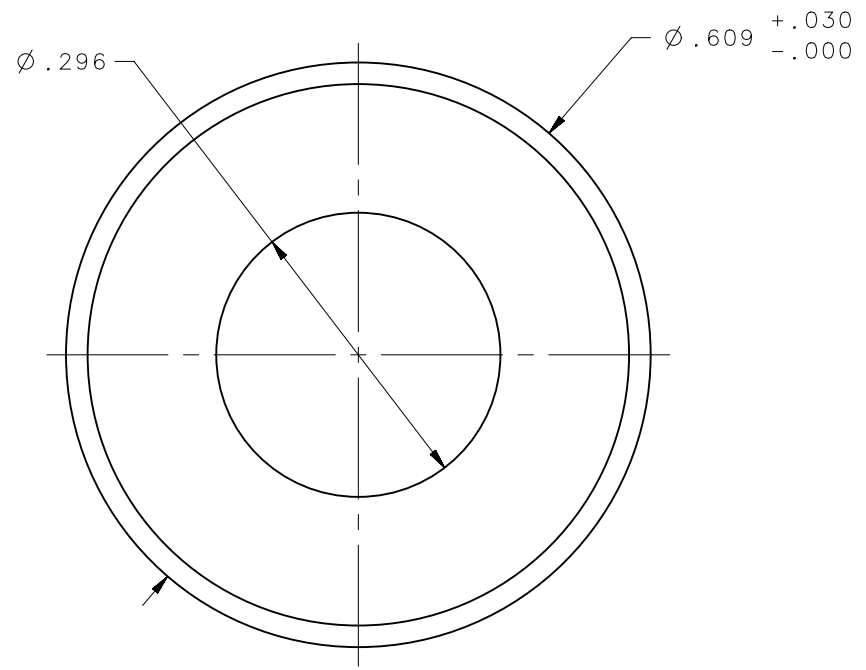


REVISION HISTORY			
REV	DATE	BY	DESCRIPTION
J	13SEP2016	CMS/JW	PRN: P2016-2100



SCALE 1:1



SECTION A-A

85-46-101-41	THERMOPLASTIC	DYED BLACK
85-46-101-39	THERMOPLASTIC	WHITE
SOUTHCO PART NUMBER	MATERIAL	FINISH

	THIRD ANGLE PROJECTION
	INCHES [MM]
SURFACE AREA	TOLERANCES UNLESS OTHERWISE NOTED
VOLUME	ALL DIMENSIONS WITHOUT TOLERANCES ARE FOR REFERENCE ONLY.
PROPRIETARY ITEM	PER ASME Y14.5M-1994
EXCEPT FOR USES EXPRESSLY GRANTED IN WRITING, INFORMATION DISCLOSED HEREON IS CONFIDENTIAL AND ALL RIGHTS, PATENT AND OTHERWISE, ARE RESERVED BY SOUTHCO, INC.	

southco [®]			
CONNECT • CREATE • INNOVATE			
DESCRIPTION NO. 85 WEAR WASHER			
SIZE A	SYSTEM NX	DWG NO. J-85-25	
DRAWN BY MRT	DATE 1-15-59	SCALE 5:1	SHEET 1 OF 1