

6

5

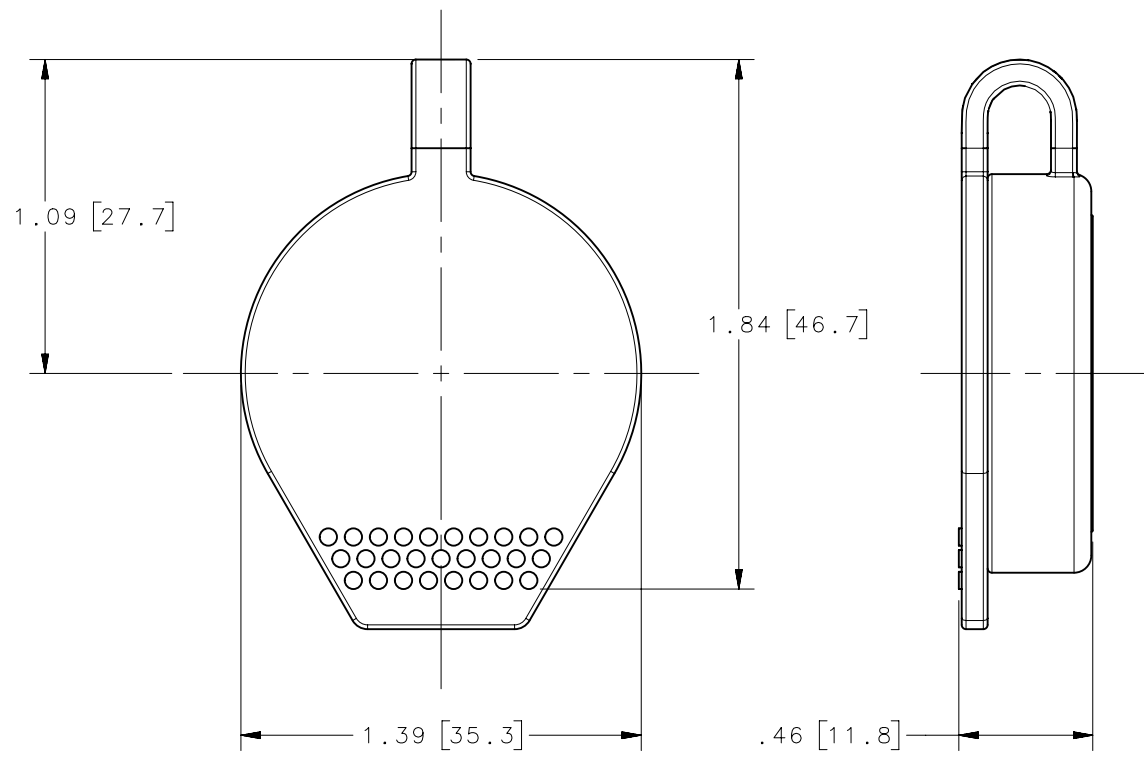
4

3

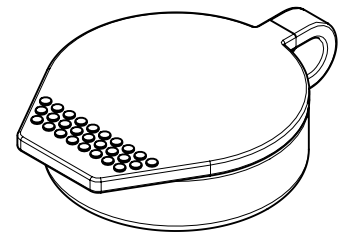
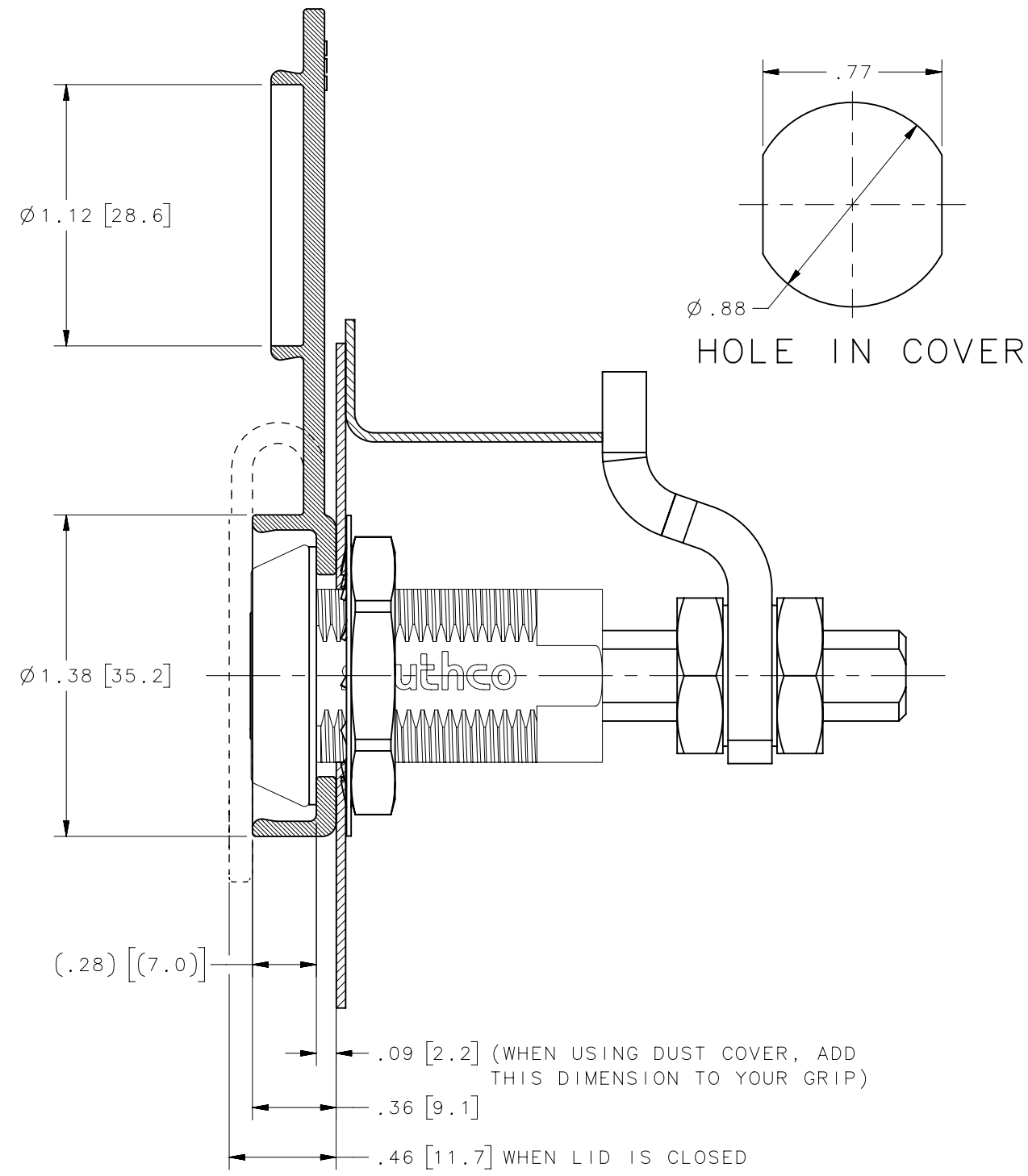
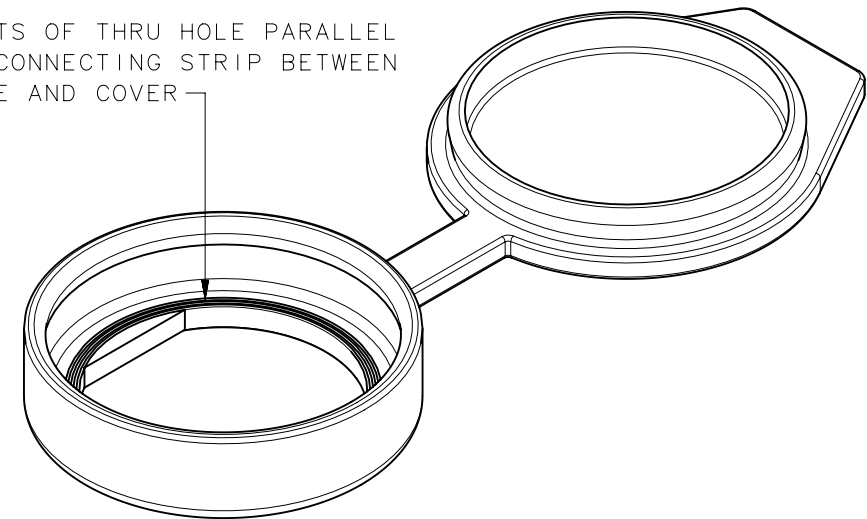
2

1

REVISION HISTORY			
REV	DATE	BY	DESCRIPTION
D	25JUN2021	CRM/DMS	PRN: P2021-1254



FLATS OF THRU HOLE PARALLEL TO CONNECTING STRIP BETWEEN BASE AND COVER



NOTES:
1. SEALING COVER MAY BE USED WITH THE FOLLOWING:

- | | | | | |
|--------------|--------------|--------------|--------------|----------|
| E3-12-15 | E3-13-15 | E3-14-15 | E3-15-15 | E3-16-15 |
| E3-12-17 | E3-13-17 | E3-14-17 | E3-15-17 | E3-16-17 |
| E3-12-25 | E3-13-25 | E3-14-25 | E3-15-25 | E3-16-25 |
| E3-12-27 | E3-13-27 | E3-14-27 | E3-15-27 | E3-16-27 |
| E3-12-35 | E3-13-35 | E3-14-35 | E3-15-35 | E3-16-35 |
| E3-12-37 | E3-13-37 | E3-14-37 | E3-15-37 | E3-16-37 |
| | | | | |
| E3-10-214-50 | E3-10-216-50 | E3-56-715-50 | E3-G-1 | |
| E3-10-214-75 | E3-10-216-75 | E3-54-715-75 | E3-G-2 | |
| E3-10-215-50 | E3-54-715-50 | E3-55-715-75 | E3-1-XXX-XXX | |
| E3-10-215-75 | E3-55-715-50 | E3-56-715-75 | E3-2-XXX-XXX | |

2. FLAMMABILITY RATING: UL94-HB

90-3		THERMOPLASTIC ELASTOMER		BLACK FINISH	
SOUTHCO PART NUMBER		MATERIAL		FINISH	
THIRD ANGLE PROJECTION				 CONNECT • CREATE • INNOVATE	
INCHES [MM]		TOLERANCES UNLESS OTHERWISE NOTED			
ALL DIMENSIONS WITHOUT TOLERANCES ARE FOR REFERENCE ONLY.		DESCRIPTION		No. 90 SEALING COVER FOR VISE-ACTION LATCH, SINGLE HOLE MOUNT	
PROPRIETARY ITEM		SIZE	SYSTEM	DWG NO.	
EXCEPT FOR USES EXPRESSLY GRANTED IN WRITING, INFORMATION DISCLOSED HEREON IS CONFIDENTIAL AND ALL RIGHTS, PATENT AND OTHERWISE, ARE RESERVED BY SOUTHCO, INC.		B	NX	J-90-3	
PER ASME Y14.5M-1994		DRAWN BY	DATE	SCALE	SHEET
		PEK	24SEPT1990	NTS	1 OF 1

6

5

4

3

2

1