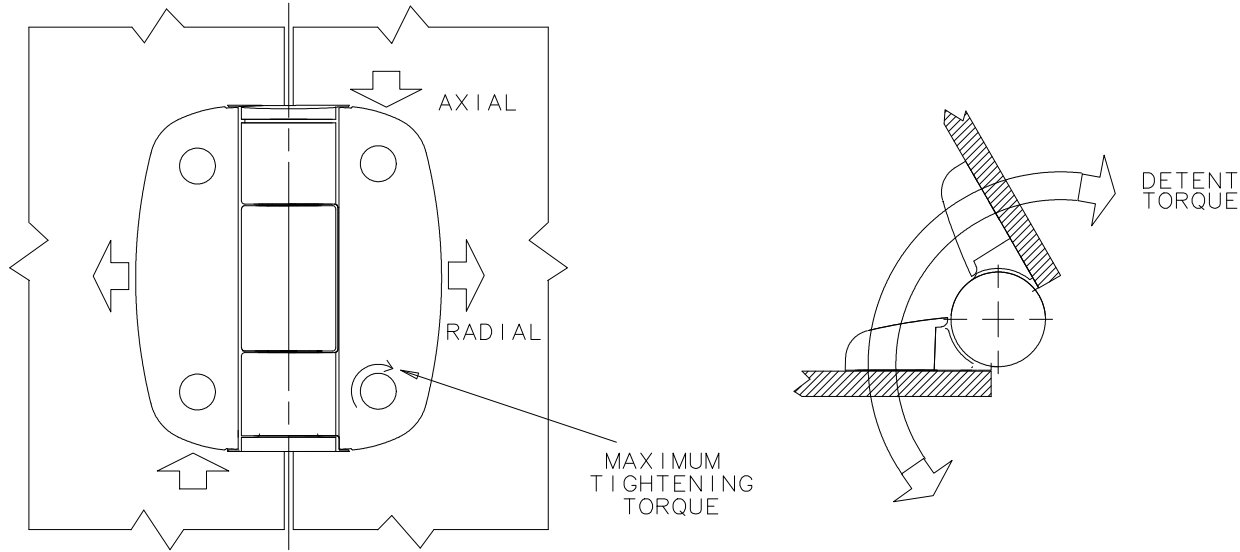


REV	DATE	DRAWN/CHKD	DESCRIPTION
A	30APR99	GDM	SEE RECORD PRINT
B	09APR2002	GDM	UPDATE FORMAT



SOUTHCO PERFORMANCE GUIDELINES  
 THE PERFORMANCE GUIDELINES SHOWN ON THIS PAGE ARE SUPPLIED AS A GENERAL GUIDE ONLY, AS CONDITIONS VARY WITH EACH APPLICATION AND METHOD OF INSTALLATION. STRENGTH DATA GIVEN IS FOR FAILURE OF THE PRODUCT OR FOR SUFFICIENT DEFORMATION TO MAKE PRODUCT INOPERABLE. NO SAFETY FACTOR HAS BEEN APPLIED. IT IS RECOMMENDED THAT THE USER REQUEST A PRODUCT SAMPLE FOR TESTING TO DETERMINE THE SUITABILITY OF THE PRODUCT FOR THE PURPOSE INTENDED AND USER'S PARTICULAR APPLICATION.



PART NUMBER	WORKING RADIAL LOAD	ULTIMATE RADIAL LOAD	WORKING AXIAL	ULTIMATE AXIAL	DETENT TORQUE	MINIMUM CYCLE LIFE ①	MAXIMIM TIGHTENING TORQUE ②
	N / (lbf)	N / (lbf)	N / (lbf)	N / (lbf)	N•m/(lbf•in)		N•m/(lbf•in)
G6-5-1	133 / (30)	970 / (218)	133 / (30)	1450 / (326)	1.1 / (10)	10,000	2.5 / (22)
G6-0-1					0		

① ONE CYCLE = CLOSED POSITION TO OPEN POSITION AT 120° PLUS RETURN TO INITIAL CLOSED POSITION.

② MAXIMUM TIGHTENING TORQUE = RECOMMENDED TORQUE APPLIED TO MANUFACTURED HARDWARE WHICH DOES NOT CAUSE FAILURE OR DAMAGE TO THE PART.