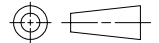


REV	DATE	DRAWN/CHKD	DESCRIPTION
A	27AUG2004	MJS	SEE ENSTAR REQUEST No.2424

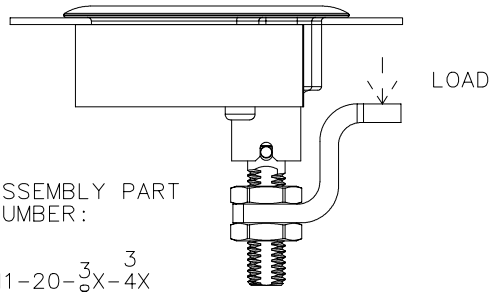


THIRD ANGLE PROJECTION

A4 PAPER SIZE

SOUTHCO PERFORMANCE GUIDELINES
 THE PERFORMANCE GUIDELINES SHOWN ON THIS PAGE ARE SUPPLIED AS A GENERAL GUIDE ONLY, AS CONDITIONS VARY WITH EACH APPLICATION AND METHOD OF INSTALLATION. STRENGTH DATA GIVEN IS FOR FAILURE OF THE PRODUCT OR FOR SUFFICIENT DEFORMATION TO MAKE PRODUCT INOPERABLE. NO SAFETY FACTOR HAS BEEN APPLIED IT IS RECOMMENDED THAT THE USER REQUEST A PRODUCT SAMPLE FOR TESTING TO DETERMINE THE SUITABILITY OF THE PRODUCT FOR THE PURPOSE INTENDED AND USER'S PARTICULAR APPLICATION.

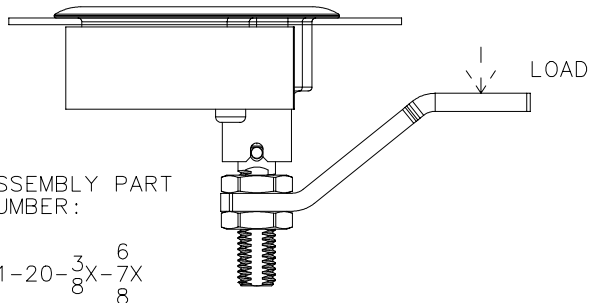
SHORT PAWL



ASSEMBLY PART NUMBER:
 M1-20- $\frac{3}{8}$ X-4X
 5

	SHORT PAWL	LONG PAWL
AVERAGE ULTIMATE LOAD ON PAWL	745 N (167 lbf)	535 N (120 lbf)
MAXIMUM RECOMMENDED WORKING LOAD	110 N (25 lbf)	110 N (25 lbf)

LONG PAWL



ASSEMBLY PART NUMBER:
 M1-20- $\frac{3}{8}$ X-7X
 8

CYCLE LIFE:
 -GREATER THAN 2,500 CYCLES AT 110 N (25 lbf) COMPRESSION LOAD.

MAXIMUM WORKING LOAD - THE MAXIMUM RECOMMENDED LOAD AT WHICH THE PRODUCT CONTINUES TO FUNCTION PROPERLY.

AVERAGE ULTIMATE LOAD - THE LOAD THAT CAUSES FAILURE OR EXCESSIVE DEFORMATION WHICH RENDERS THE PRODUCT INOPERABLE.