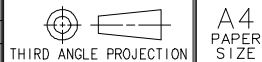
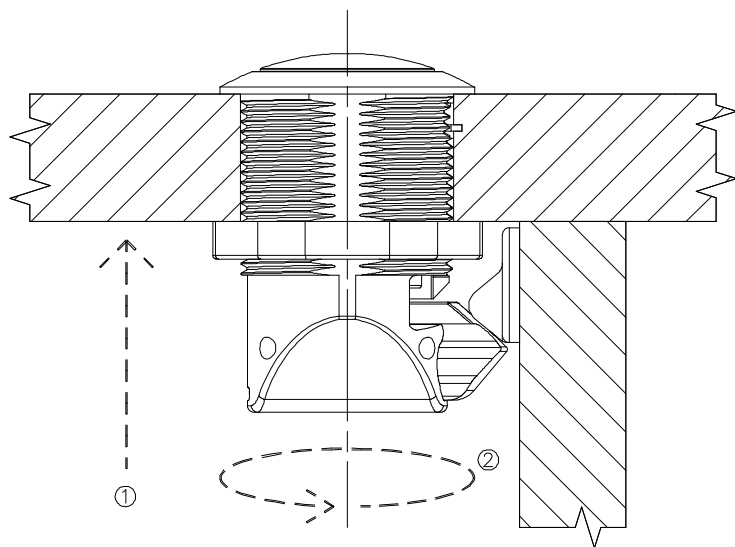


REV	DATE	DRAWN/CHKD	DESCRIPTION
A	19JUL02	GDM	SEE RECORD PRINT



SOUTHCO PERFORMANCE GUIDELINES  
 THE PERFORMANCE GUIDELINES SHOWN ON THIS PAGE ARE SUPPLIED AS A GENERAL GUIDE ONLY, AS CONDITIONS VARY WITH EACH APPLICATION AND METHOD OF INSTALLATION. STRENGTH DATA GIVEN IS FOR FAILURE OF THE PRODUCT OR FOR SUFFICIENT DEFORMATION TO MAKE PRODUCT INOPERABLE. NO SAFETY FACTOR HAS BEEN APPLIED IT IS RECOMMENDED THAT THE USER REQUEST A PRODUCT SAMPLE FOR TESTING TO DETERMINE THE SUITABILITY OF THE PRODUCT FOR THE PURPOSE INTENDED AND USER'S PARTICULAR APPLICATION.

ASSEMBLY PART NUMBERS M1-2A-15-1  
 M1-2A-15-5  
 M1-2A-15-8



- ① AVERAGE ULTIMATE LOAD:  
225 N (50 lbf)
- ② MAXIMUM RECOMMENDED TIGHTENING TORQUE FOR MOUNTING NUT:  
4.2 N·m (37 lbf·in)
- ③ CYCLE LIFE: 15,000 Cycles
- ④ SALT SPRAY EXPOSURE PER ASTM B117:  
GREATER THAN 500 HOURS
- ⑤ ULTRA VIOLET LIGHT EXPOSURE PER ASTM G-53:  
GREATER THAN 500 HOURS
- ⑥ OPERATING TEMPERATURE RANGE:  
-30C (-22F) TO 60C (140F)
- ⑦ MAXIMUM SIDE LOAD ON KNOB:  
1000 N (225 lbf)
- ⑧ MAXIMUM TENSILE LOAD ON KNOB:  
200 N (45 lbf)
- ⑨ FLAMMABILITY RATING ALL PLASTIC MATERIALS:  
UL-HB94
- ⑩ MAXIMUM RECOMMENDED TIGHTENING TORQUE FOR KEEPER MOUNTING SCREWS: 2.8 N·m (25 lbf·in)  
(PAN HEAD SCREWS RECOMMENDED)

AVERAGE ULTIMATE LOAD- THE LOAD THAT CAUSES FAILURE OR EXCESSIVE DEFORMATION WHICH RENDERS THE PRODUCT INOPERABLE.