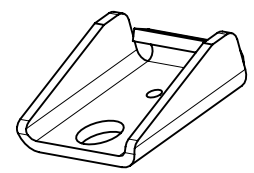
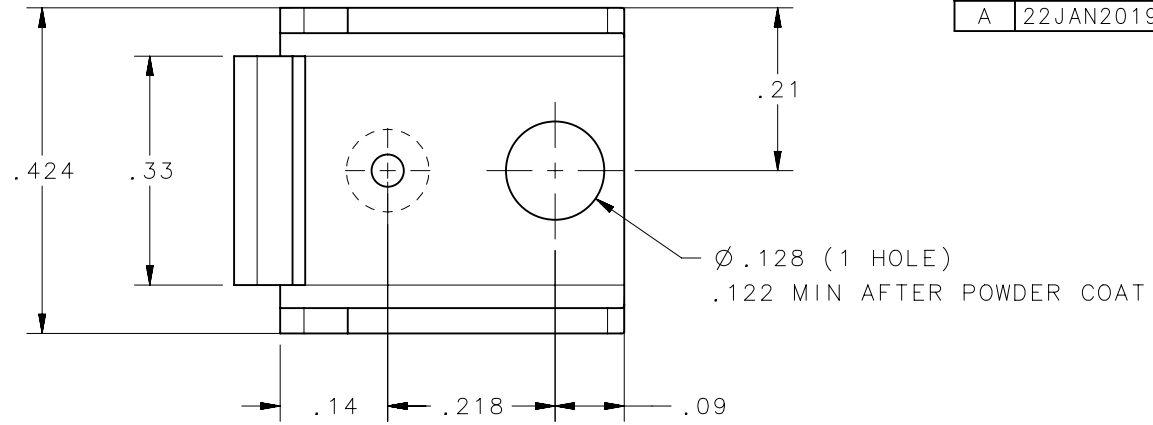
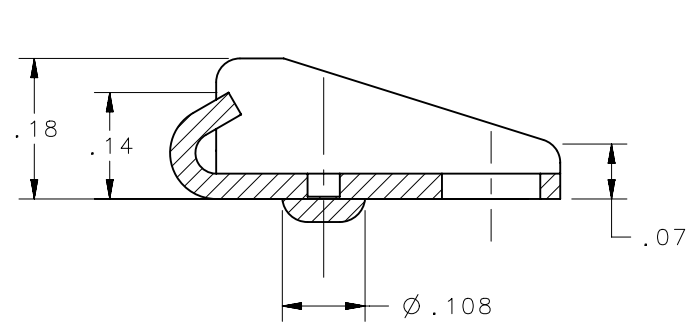


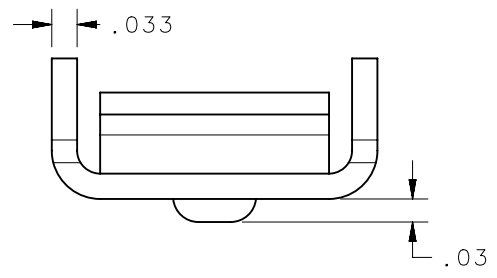
REVISION HISTORY			
REV	DATE	BY	DESCRIPTION
A	22JAN2019	CB1/DMS	PRN: P2019-0167



SCALE 2:1



SECTION A-A



97-37-102-24	KEEPER	STAINLESS STEEL	PASSIVATED	NONE
97-37-102-15	KEEPER	STEEL	SEE NOTE B	CASE HARDENED
97-57-102-11	KEEPER	STEEL	SEE NOTE A	CASE HARDENED
SOUTHCO PART NUMBER	TYPE OF COMPONENT	MATERIAL	FINISH	HEAT TREAT

THIRD ANGLE PROJECTION		 CONNECT • CREATE • INNOVATE		
INCHES [MM]				
TOLERANCES UNLESS OTHERWISE NOTED		DESCRIPTION NUMBER 97 KEEPER		
SURFACE AREA		ALL DIMENSIONS WITHOUT TOLERANCES ARE FOR REFERENCE ONLY.		
VOLUME		SIZE A	SYSTEM NX	DWG NO. J-97-37-102
PROPRIETARY ITEM <small>EXCEPT FOR USES EXPRESSLY GRANTED IN WRITING, INFORMATION DISCLOSED HEREON IS CONFIDENTIAL AND ALL RIGHTS, PATENT AND OTHERWISE, ARE RESERVED BY SOUTHCO, INC.</small>		PER ASME Y14.5M-1994	DRAWN BY JGK	DATE 14APR1999
			SCALE 4:1	SHEET 1 OF 1

NOTES :
 A. ZINC PLATE, PLUS BRIGHT CHROMATE DIP.
 B. BLACK POWDER COAT.